

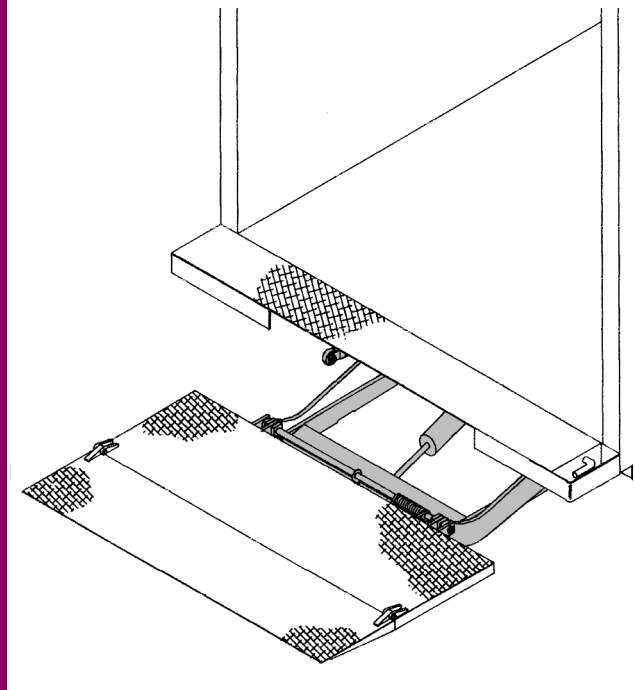
StowAway

Tailgates By **THIEMAN**

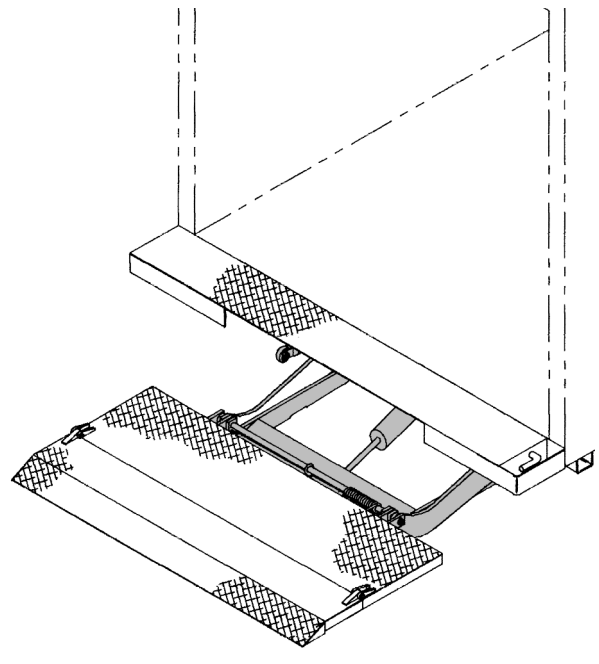
Raising Performance to New Levels

M-SERIES

Optional 42" Deep Wedge Platform



Standard 36" and
Now Available in 42" Deep Platform



FEATURING:

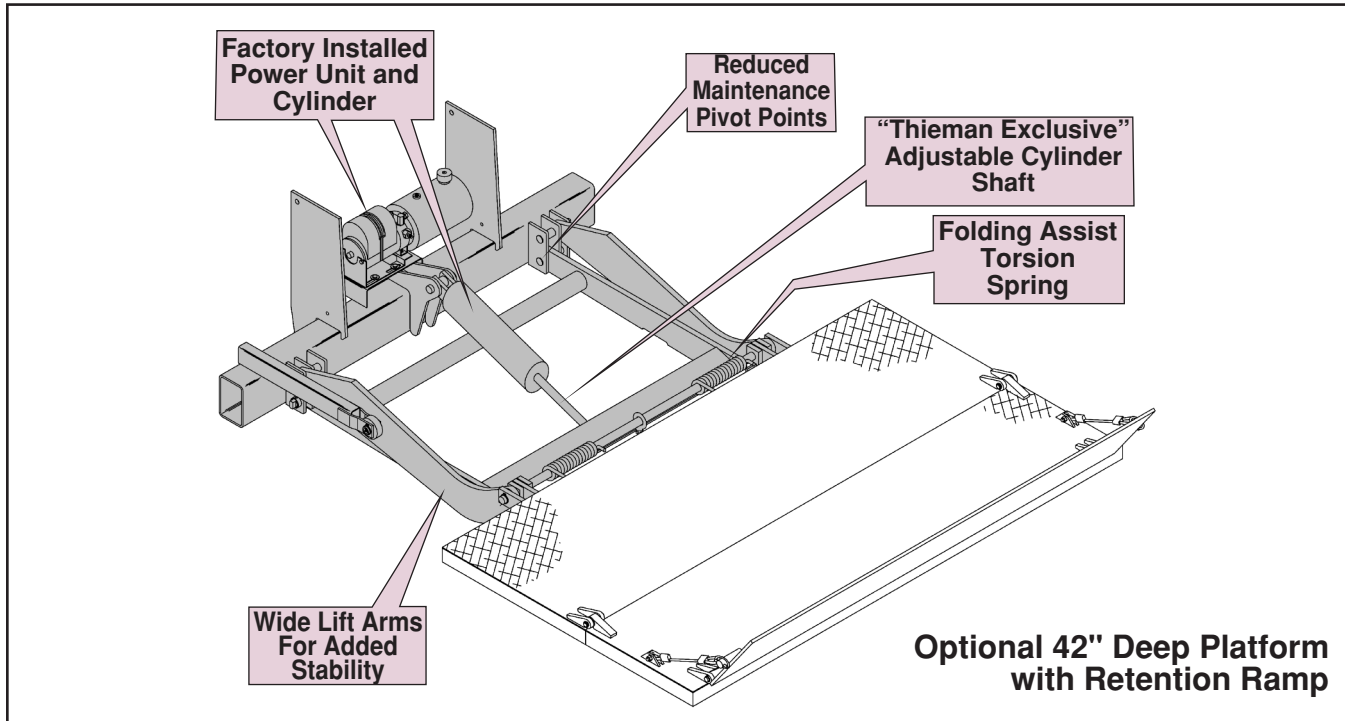
- Reduced Maintenance Bushings
- Fast and Easy Installation
- 1,600 to 3,000 lb. Capacities
- Meets TMC Electrical Guidelines
- Snubber Kit
- Heavy-Duty Reinforced Spacer
- Pre-Mounted Pump and Cylinder
- Torsion Spring Assist

The THIEMAN M Series Stowaway is the industry standard for handling medium-duty loads.

Designed for fast and easy installation, the M16/20/25/30 includes a pre-assembled pump and cylinder. With the dual torsion spring assist, the operator can fold and unfold the platform with much less effort.

With its durable design and many standard features, the THIEMAN M Series is the choice among general purpose Stowaways.

Features, Benefits and Specifications



STANDARD FEATURES AND BENEFITS:

- Pre-Assembled Pump and Cylinder for Quick and Easy Installation.
- Reduced Maintenance Bushings at All Major Pivot Points.
- Molded Toggle Switch (Convenient Mounting and Environmentally Sealed)
- 150 Amp Circuit Breaker for Electrical Protection.
- Torsion Springs for Easy Platform Handling.
- Heavy-Duty Reinforced Spacer with Automatic Latch.
- Standard Snubber Kit to Prevent Wear of Liftgate While in Traveling Position.
- Meets All TMC Electrical Guidelines for Reduced Service Requirements.

AVAILABLE OPTIONS FOR M SERIES:

- Pintle Hitch Bracket
- Remote Pendant Control
- In-Cab Shut Off Switch
- Aluminum Platform (36+6, 40+6 Deep)
- Heavy-Duty I-Beam Dock Bumpers
- Light Kits
- Trailer Kits
- Power Down
- Power Unit Enclosures

Model #	Platform	Load Capacity	Approx. Install Wt.	Bed Height Range
M-16ET	72" or 84" x 36" + 6"	1600 lbs.	820 or 840 lbs.	37" to 54"
M-20ET	72" or 84" x 36" + 6"	2000 lbs.	820 or 840 lbs.	37" to 54"
M-25ET	72" or 84" x 36" + 6"	2500 lbs.	940 or 960 lbs.	38" to 54"
M-30ET	72" or 84" x 36" + 6"	3000 lbs.	940 or 960 lbs.	38" to 54"
M-16ET	72" or 84" x 42" + 6"	1600 lbs.	835 or 860 lbs.	42" to 54"
M-20ET	72" or 84" x 42" + 6"	2000 lbs.	835 or 860 lbs.	42" to 54"
M-25ET	72" or 84" x 42" + 6"	2500 lbs.	955 or 980 lbs.	42" to 54"
M-16ET	72" or 84" x 42" wedge	1600 lbs.	820 or 845 lbs.	45" to 54"
M-20ET	72" or 84" x 42" wedge	2000 lbs.	820 or 845 lbs.	45" to 54"
M-25ET	72" or 84" x 42" wedge	2500 lbs.	940 or 965 lbs.	45" to 54"
M-16ET	72" or 84" x 42" + 10" Ret Ramp	1600 lbs.	840 or 885 lbs.	37" to 54"
M-20ET	72" or 84" x 42" + 10" Ret Ramp	2000 lbs.	840 or 885 lbs.	37" to 54"
M-25ET	72" or 84" x 42" + 10" Ret Ramp	2500 lbs.	990 or 1035 lbs.	38" to 54"

Application: Van Bodies, Stake Bodies, and Trailers
ET- Electric with Toggle Switch Control/Gravity Down

Distributed By:

THIEMAN Reserves the right to Change Products Specifications at any time Without Prior Notice.
Printed in U.S.A. Rev. 4/14 • 1M • MP81709

THIEMAN
TAILGATES INC.
Raising Performance to New Levels

600 East Wayne Street
Celina, Ohio 45822
Phone: 419-586-7727 or
800-524-5210
Fax: 419-586-9724
www.thieman.com
info@thiemantailgates.com