

24 Volt 3-phase AC technology for high performance and excellent reliability

Extremely maneuverable due to compact chassis design

Easily maneuvered with the handle in the vertical position by pressing the crawl-speed button

Excellent travel stability with optional ProTracLink caster system



## EJE 120 / EJE 120E

### Electric Walkie Pallet Truck (4,500 lbs.)

The EJE 120 electric walkie pallet truck is specifically suited for loading and unloading trailers as well as transporting loads over short and medium distances. The EJE 120 is available with three different battery compartments; the shortest of which, when combined with the EJE's compact drive unit, features a head length of only 19.4 inches and allows the truck to maneuver in extremely confined spaces.

Jungheinrich's innovative 3-phase AC drive motor provides powerful acceleration and a maximum speed of 3.7 mph, even under a full load. In addition, the sealed AC drive motor is low-maintenance, with no carbon brushes to replace.

Jungheinrich's advanced AC impulse controller technology provides stepless speed control via the drive switch and rollback protection on ramps. Travel parameters, including acceleration, speed and motor braking, are easily adjustable. The highly-efficient AC controller, combined with industrial batteries up to 300Ah with an extended battery box, ensures excellent energy management and longer operating times at any performance level.

The long, low mounted control handle maximizes the distance between the operator and the truck, ensuring the highest degree of security for the user at all times during normal operation. If space is at a premium, the standard crawl-speed button allows for maneuvering in

tight areas with the handle in the vertical position. To activate, simply depress the crawl-speed button and the brake is released automatically, allowing controlled travel at a reduced speed. The low height of the truck allows for greater visibility, especially in confined spaces, and provides shorter operators with optimum visibility to the fork tips.

A completely redeveloped control handle offers operators a unique, state-of-the-art design. The raise and lower controls on each side of the handle are combined into a single, contactor-less rocker switch. This ergonomically-arranged design allows the operator to raise and lower the forks with the handle in virtually any position, even when fully vertical at 90 degrees.

# Technical data

as of: 07/2013

Characteristics	1.1	Manufacturer			Jungheinrich		Jungheinrich			
	1.2	Model			<b>EJE 120</b>		<b>EJE 120</b>			
Weights					<b>short compartment</b>		<b>medium compartment</b>			
	1.3	Drive			electric		electric			
	1.4	Type of operation			walkie		walkie			
	1.5	Load capacity / rated load	Q	lbs	kg	4,500	2,000	4,500	2,000	
	1.6	Load center distance	c	in	mm	24	600	24	600	
Wheels, Chassis	1.9	Wheelbase	y	in	mm	51.4 <sup>1)</sup>	1,310	54.9 <sup>1)</sup>	1,395	
	2.1	Service weight including minimum battery (see line 6.5)		lbs	kg	913	415	913	415	
	2.2	Axle loading – loaded, drive / load		lbs	kg	1,971 / 3,442	880 / 1,535	1,971 / 3,442	880 / 1,535	
	2.3	Axle loading – unloaded, drive / load		lbs	kg	723 / 190	328 / 87	723 / 190	328 / 87	
	3.1	Tires				PU (polyurethane)		PU (polyurethane)		
Dimensions	3.2	Tire size, drive		in	mm	9.1 x 2.6	230 x 70	9.1 x 2.6	230 x 70	
	3.3	Tire size, load		in	mm	3.2 x 4.3	82 x 110	3.2 x 4.3	82 x 110	
	3.4	Additional wheels – dimensions <sup>3)</sup>			in	mm	3.9 x 1.6	100 x 40	3.9 x 1.6	100 x 40
	3.5	Wheels – number, drive / load (x = driven wheels)				1x / 2		1x / 2		
	4.4	Maximum fork height (MFH)	h <sub>3</sub>	in	mm	8.1	205	8.1	205	
Performance	4.9	Handle height in drive position, minimum / maximum	h <sub>14</sub>	in	mm	31.4 / 51.7	797 / 1,313	31.4 / 51.7	797 / 1,313	
	4.15	Lowered fork height	h <sub>13</sub>	in	mm	3.25	83	3.25	83	
	4.19	Overall length	l <sub>1</sub>	in	mm	64.8	1,646	68.3	1,735	
	4.20	Length to fork face, headlength	l <sub>2</sub>	in	mm	19.4	493	23.2	590	
	4.21	Overall width	b <sub>1</sub>	in	mm	28.3	719	28.3	719	
	4.22	Fork dimensions, thick / width	s / e / l	in	mm	2.2 / 6.8 / 45.4	55 / 173 / 1,150	2.2 / 6.8 / 45.4	55 / 173 / 1,150	
	4.25	Overall width across forks	b <sub>5</sub>	in	mm	26.4 / 21.3	670 / 540	26.4 / 21.3	670 / 540	
	4.32	Ground clearance, center of wheelbase	m <sub>2</sub>	in	mm	1.1	28	1.1	28	
	4.34	Aisle width (for 48 x 40 pallets (L x W))	Ast	in	mm	76.9 <sup>1)2)</sup>	1,954	80.4 <sup>1)2)</sup>	2,043	
	4.35	Turning radius	Wa	in	mm	58.7 <sup>1)</sup>	1,491	62.2 <sup>1)</sup>	1,580	
Motors	5.1	Travel speed, loaded / unloaded		mph	kph	3.7 / 3.7	6.0 / 6.0	3.7 / 3.7	6.0 / 6.0	
	5.2	Lift speed, loaded / unloaded		ft / min	m / s	7.1 / 9.1	0.036 / 0.046	7.1 / 9.1	0.036 / 0.046	
	5.3	Lowering speed, loaded / unloaded		ft / min	m / s	10.2 / 9.1	0.052 / 0.046	10.2 / 9.1	0.052 / 0.046	
	5.8	Maximum gradeability, loaded / unloaded			%	8 / 20	8 / 20	8 / 20	8 / 20	
	5.10	Service brake				electric		electric		
Other	6.1	Drive motor (rating S <sub>2</sub> 60 minutes)		hp	kW	1.3	1.0	1.3	1.0	
	6.2	Lift motor rating at S <sub>3</sub> 10%		hp	kW	1.6	1.2	1.6	1.2	
	6.4	Battery voltage			V	24		24		
		Battery, nominal capacity (at 6 hour rate)			Ah	142-150		195-375		
	6.5	Battery weight, minimum		lbs	kg	265	120	265	120	
8.4	Sound level at driver's ear			dB (A)	70		70			

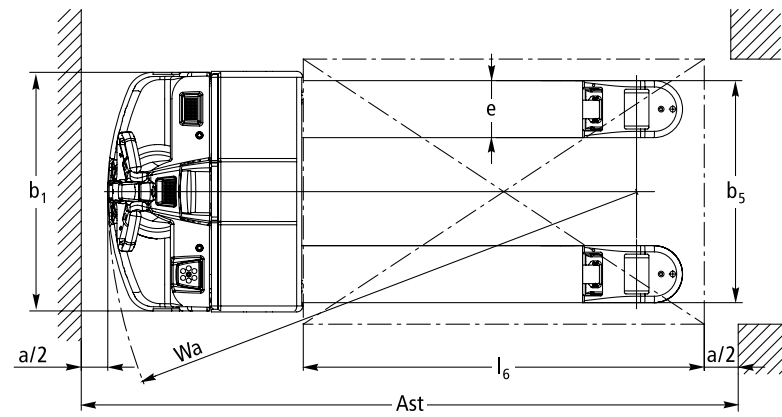
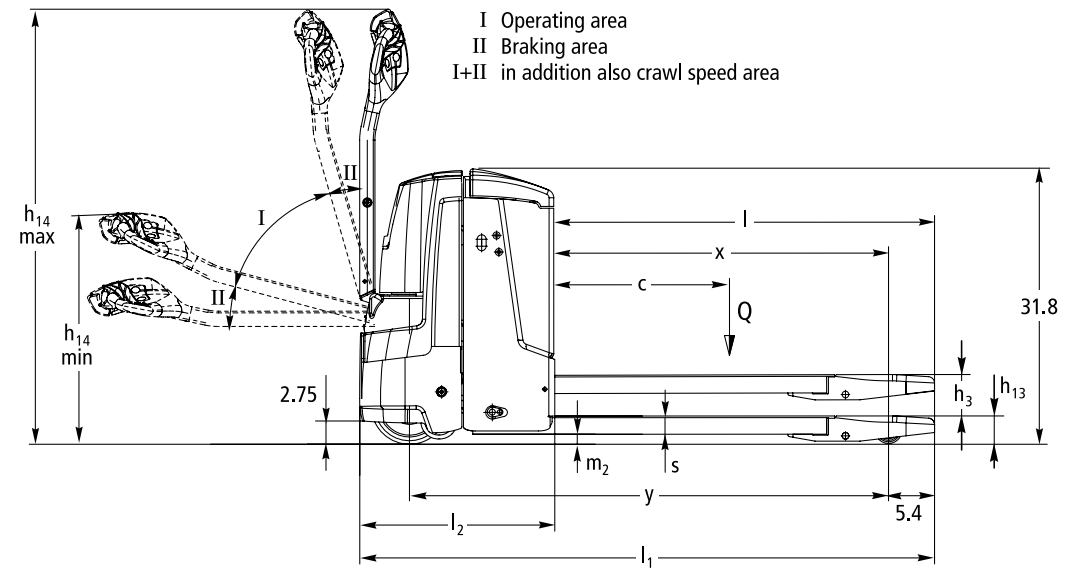
1) Load section lowered: add 2.10 inches.  
 2) Includes 8 inches of maneuvering space.  
 3) Optional.  
 Note: all dimensions with 45.3 inch (nominal) forks unless otherwise noted.

Characteristics	1.1	Manufacturer			Jungheinrich		Jungheinrich			
	1.2	Model			<b>EJE 120E</b>		<b>EJE 120E</b>			
Weights					<b>large compartment</b>					
	1.3	Drive			electric		electric			
	1.4	Type of operation			walkie		walkie			
	1.5	Load capacity / rated load	Q	lbs	kg	4,500	2,000	4,500	2,000	
	1.6	Load center distance	c	in	mm	24	600	24	600	
Wheels, Chassis	1.9	Wheelbase	y	in	mm	54.9 <sup>1)</sup>	1,395	54.9 <sup>1)</sup>	1,395	
	2.1	Service weight including minimum battery (see line 6.5)		lbs	kg	1,061	482	1,061	482	
	2.2	Axle loading – loaded, drive / load		lbs	kg	2,035 / 3,526	908 / 1,574	2,035 / 3,526	908 / 1,574	
	2.3	Axle loading – unloaded, drive / load		lbs	kg	840 / 221	382 / 101	840 / 221	382 / 101	
	3.1	Tires				PU (polyurethane)		PU (polyurethane)		
Dimensions	3.2	Tire size, drive		in	mm	9.1 x 2.6	230 x 70	9.1 x 2.6	230 x 70	
	3.3	Tire size, load		in	mm	3.25 x 4.3	82 x 110	3.25 x 4.3	82 x 110	
	3.4	Additional wheels – dimensions <sup>3)</sup>			in	mm	3.9 x 1.6	100 x 40	3.9 x 1.6	100 x 40
	3.5	Wheels – number, drive / load (x = driven wheels)				1x / 2		1x / 2		
	4.4	Maximum fork height (MFH)	h <sub>3</sub>	in	mm	8.1	205	8.1	205	
Performance	4.9	Handle height in drive position, minimum / maximum	h <sub>14</sub>	in	mm	31.4 / 51.7	797 / 1,313	31.4 / 51.7	797 / 1,313	
	4.15	Lowered fork height	h <sub>13</sub>	in	mm	3.25	83	3.25	83	
	4.19	Overall length	l <sub>1</sub>	in	mm	68.3	1,735	68.3	1,735	
	4.20	Length to fork face, headlength	l <sub>2</sub>	in	mm	23.2	590	23.2	590	
	4.21	Overall width	b <sub>1</sub>	in	mm	32.9	836	32.9	836	
	4.22	Fork dimensions, thick / width	s / e / l	in	mm	2.2 / 6.8 / 45.4	55 / 173 / 1,150	2.2 / 6.8 / 45.4	55 / 173 / 1,150	
	4.25	Overall width across forks	b <sub>5</sub>	in	mm	26.4 / 21.3	670 / 540	26.4 / 21.3	670 / 540	
	4.32	Ground clearance, center of wheelbase	m <sub>2</sub>	in	mm	1.1	28	1.1	28	
	4.34	Aisle width (for 48 x 40 pallets (L x W))	Ast	in	mm	80.4 <sup>1)2)</sup>	2,043	80.4 <sup>1)2)</sup>	2,043	
	4.35	Turning radius	Wa	in	mm	62.2 <sup>1)</sup>	1,580	62.2 <sup>1)</sup>	1,580	
Motors	5.1	Travel speed, loaded / unloaded		mph	kph	3.7 / 3.7	6.0 / 6.0	3.7 / 3.7	6.0 / 6.0	
	5.2	Lift speed, loaded / unloaded		ft / min	m / s	7.1 / 9.1	0.036 / 0.046	7.1 / 9.1	0.036 / 0.046	
	5.3	Lowering speed, loaded / unloaded		ft / min	m / s	10.2 / 9.1	0.052 / 0.046	10.2 / 9.1	0.052 / 0.046	
	5.8	Maximum gradeability, loaded / unloaded			%	8 / 20	8 / 20	8 / 20	8 / 20	
	5.10	Service brake				electric		electric		
Other	6.1	Drive motor (rating S <sub>2</sub> 60 minutes)		hp	kW	1.3	1.0	1.3	1.0	
	6.2	Lift motor rating at S <sub>3</sub> 10%		hp	kW	1.6	1.2	1.6	1.2	
	6.4	Battery voltage			V	24		24		
		Battery, nominal capacity (at 6 hour rate)			Ah	195-375		195-375		
	6.5	Battery weight, minimum		lbs	kg	374	170	374	170	
8.4	Sound level at driver's ear			dB (A)	70		70			

1) Load section lowered: add 2.10 inches.  
 2) Includes 8 inches of maneuvering space.  
 3) Optional.  
 Note: all dimensions with 45.3 inch (nominal) forks unless otherwise noted.

This specification sheet only provides technical values for the standard truck. Non-standard tires, different masts, additional equipment, etc., could produce other values. Rights reserved for technical changes and improvements.

# EJE 120



# The Jungheinrich Advantage



Powerful due to innovative 3-phase technology

## Innovative 3-phase AC technology

Jungheinrich proprietary 3-phase AC motor technology provides increased efficiency and reduced operating costs. The following advantages maximize uptime and productivity:

- Outstanding efficiency due to excellent energy management.
- Powerful acceleration.
- Top speed of 3.7 mph with a fully-rated load.
- Quick directional changes without hesitation.
- No carbon brushes or commutators to replace, resulting in reduced maintenance requirements.
- 2-year warranty on drive motor.

## Long operating times

Battery capacities up to 255 Ah provide long operating times.

- Short compartment: 150 Ah.
- Medium (standard) compartment: up to 255 Ah.
- Extended compartment up to 300Ah.
- Optional integrated charger (115 Volt / 30 A for both flooded and maintenance-free batteries up to 375 Ah) for fast, simple charging at any wall outlet.



Ergonomic control handle

## Multi-function control handle

The redeveloped control handle adjusts to different operator requirements:

- Clearly marked operator controls and rocker switches, with tactile raise and lower indicators, allow for intuitive operation in any handle position.
- Angled handle head for natural, ergonomic operation.
- Crawl-speed button is positioned on the back of the control handle, for quick access and ease of operation when the handle is in the vertical position.
- The control handle protects against potential failure due to its contactor-less sensor system and IP65-rated dust and moisture protection.
- Reduced maintenance.
- 3-phase AC technology ensures significant long-term reduction of operating costs.
- Low maintenance, 3-phase AC drive motor with no carbon brushes.
- Easy access to all components through the one-piece front cover.
- Sealed controls and plugs are protected from dust and moisture (IP54 rating).
- Optional "ProTracLink" stability caster wheel system helps reduce potential wheel damage during ramp operations due to its self-leveling adjustment.
- The torsion bar constantly keeps both support wheels at the same height, reducing the chance of catching or damaging the lower support wheel on the sides of dock plates.

## Well informed at any time

- Three-color LED battery discharge indicator as standard or optional "CanDis" information display with enhanced visual charge indicator, hour-meter and service code display.
- Optional "CanCode" keypad allows for secure truck activation via PIN and includes three pre-set travel programs.
- When combined, CanDis and CanCode allow for quick adjustment of speed, acceleration and motor brake parameters without a laptop.

## Optimum stability

- Optional "ProTracLink" caster wheel system, linked via a cushioned torsion bar, distributes stabilizing forces dependent on travel conditions (i.e. evenly across all wheels during straight travel; concentrated on the outer support wheel when turning).

## Available options

- Fork lengths from 36 to 60 inches.
- 21 inch fork width.
- Rubber and sanded drive wheels.
- 48 inch and 60 inch load guard.
- Freezer package.

Built in compliance with ANSI/ITSDF B56.1 design specifications\* for Type E industrial trucks with Type E battery at time of manufacture.

## Parts when you need them

Jungheinrich's Parts Fast or Parts Free Guarantee ensures next-business day delivery by 5:00 PM of all Jungheinrich parts in the United States, or they're free, including freight. For customers in Canada and Mexico, the guarantee ensures shipping of parts within 24 hours from the time the order was placed by the dealer. See your local Jungheinrich dealer for program details.

\* Programs may be subject to change without notice and may vary by region. Please ask your local Jungheinrich dealer for complete terms and conditions.

