

AC electric motor delivers powerful torque and quick acceleration

easyPILOT Follow maximizes picking performance with semi-automated control

jetPILOT electric steering wheel for easy and comfortable handling

curveCONTROL automatically reduces speed when traveling through curves

An extensive range of accessories for individual customization



ECE 227 / 236XL NA

Center-control rider (6,000; 8,000 lbs.)

Through a combination of the latest technologies and an ergonomic design, the Jungheinrich® ECE 227 / 236 XL NA optimizes both the cost and speed of order picking.

A 3-phase AC drive motor helps ensure an optimal performance in nearly every application. The advantages: high acceleration and travel speed with low energy consumption. Combine these features with regenerative braking and the ECE delivers more hours in operation and higher throughput.

In addition, Jungheinrich specifically fine-tuned the interface between the AC drive motor and electric controller to optimize performance and efficiency. The ergonomic features harmonize the interface between operator, machine and load. The immediate proximity of the operator to the load together with the stand-on platform helps provide more efficient order picking.

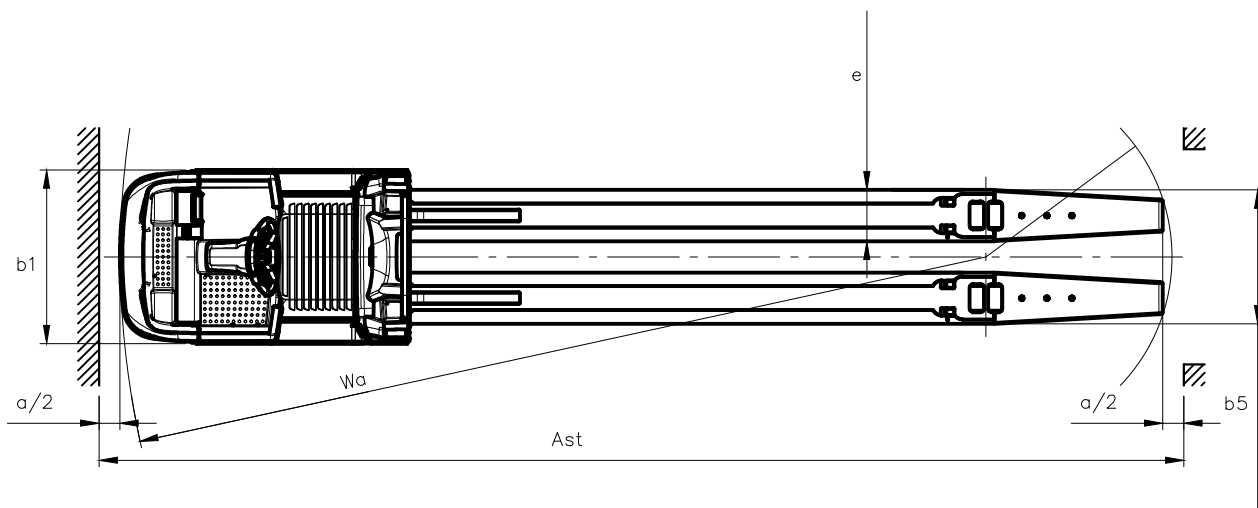
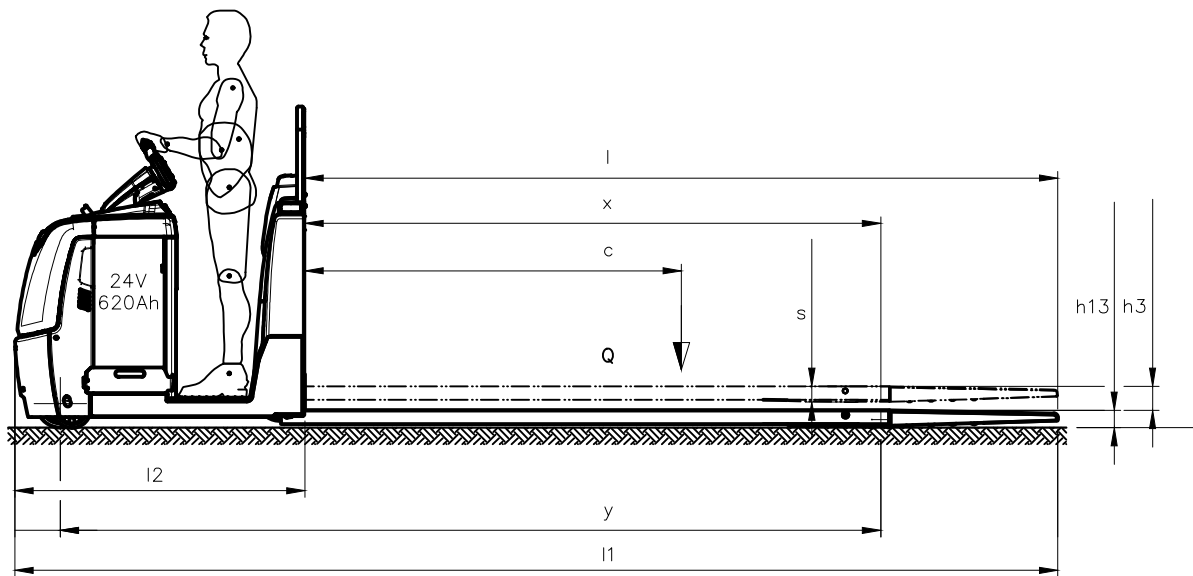
The ECE offers electric steering using the jetPILOT steering wheel. The advantages: intuitive controls, plus a secure grip similar to driving a car, create first-

class operator comfort. The operator does not need to twist his body when traveling around corners (providing better operator comfort). This design provides the operator with automatic return of the steering wheel to straight-ahead travel.

With its high drive performance drivePLUS package and ergonomically optimized operator workplace, the ECE stands at the forefront with optimal output in many applications.

**JUNGHEINRICH®**

ECE 227-236XL NA



Technical Data

as of: 04/2019

Characteristics	1.1	Manufacturer			Jungheinrich		Jungheinrich		
	1.2	Manufacturer's type designation			ECE 227XL		ECE 236XL		
	1.3	Drive			electric		electric		
	1.4	Operator type			order pickers		order pickers		
	1.5	Load capacity / rated load	Q	lbs	kg	6,000	2,700	8,000	3,600
	1.6	Load center distance (opt. on 227 / std. on 236)	c	in	mm	47.2	1,200	47.2	1,200
Weights	1.8	Load distance, center of load axle to fork base	x	in	mm	60.4	1,533	60.4	1,533
	1.9	Wheelbase	y	in	mm	106.4	2,703	106.4	2,703
	2.1	Service weight		lbs	kg	2,780	1,261	2,802	1,271
	2.2	Axle loading, loaded front / rear		lbs	kg	2,557 / 6,978	1,160 / 3,165	2,557 / 6,978	1,160 / 3,165
	2.3	Axle loading, unloaded front / rear		lbs	kg	1,953 / 829	886 / 376	886 / 376	1,953 / 829
	Wheels, Chassis	3.1	Tires			Vulkollan®		Vulkollan®	
3.2		Tire size, front		in	mm	9.1 x 3.1	230x78	9.1x3.1	230x78
3.3		Tire size, rear		in	mm	3.3 x 6.3	83 x 160	3.3 X 6.3	83 X 160
3.5		Wheels, number front rear (x = driven wheels)				1+1x/2		1+1x/4	
3.6		Front tread	b ₁₀	in	mm	18.9	481	18.9	481
3.7		Rear tread	b ₁₁	in	mm	15.9	401	15.9	401
General Dimensions	4.9	Height of tiller in drive position	h ₁₄	in	mm	54.1 / 55.8	1,374 / 1,418	54.1 / 55.8	1,374 / 1,418
	4.21	Overall width	b ₁ /b ₂	in	mm	32.7	830	32.7	830
	4.32	Ground clearance, center of wheelbase	m ₂	in	mm	1	20	1	20
Dimensions (94.5" / 2,400mm forks)		Standard / Optional			Optional		Standard		
	4.4	Maximum fork height	h ₃	in	mm	4.5	115	4.5	115
	4.15	Overall lowered forks	h ₁₃	in	mm	3.25	82.5	3.25	82.5
	4.19	Overall length	l ₁	in	mm	149.1	3,787	149.1	3,787
	4.20	Length to face of forks	l ₂	in	mm	54.6	1,387	54.6	1,387
	4.22	Fork dimensions	t/w/l	in	mm	3 / 9 / 94.5	77 / 229 / 2,400	3 / 9 / 94.5	77 / 229 / 2,400
	4.25	Overall width across forks	b ₅	in	mm	24.8	630	24.8	630
4.35	Turning radius	Wa	in	mm	115	2,921	115	2,921	
Dimensions (141.7" / 3,600mm forks)		Standard / Optional			—		Optional		
	4.4	Maximum fork height	h ₃	in	mm	—	—	4.5	115
	4.15	Overall lowered forks	h ₁₃	in	mm	—	—	3.25	82.5
	4.19	Overall length	l ₁	in	mm	—	—	196.3	4,987
	4.20	Length to face of forks	l ₂	in	mm	—	—	54.6	1,387
	4.22	Fork dimensions	t/w/l	in	mm	—	—	3 / 9.6 / 141.7	77 / 245 / 3,600
	4.25	Overall width across forks	b ₅	in	mm	—	—	25.2	640
4.35	Turning radius	Wa	in	mm	—	—	163	4,140	
Performance	5.1	Travel speed, loaded / unloaded		mph	km/h	5.7 / 8.7	9.2 / 14	4.3 / 8.7	7 / 14
	5.2	Lift speed, loaded / unloaded		ft / min	m / s	13.8 / 19.7	0.07 / 0.1	13.8 / 19.7	0.07 / 0.1
	5.3	Lowering speed, loaded / unloaded		ft / min	m / s	13.8 / 11.8	0.07 / 0.06	13.8 / 11.8	0.07 / 0.06
	5.8	Maximum gradeability, loaded / unloaded		%		3 / 15		3 / 15	
	5.10	Service brake				regenerative		regenerative	
Motors	6.1	Drive motor rating S ₂ 60 min.		hp / kW		4.3	3.2	4.3	3.2
	6.2	Lift motor rating at S ₃ 10 %		hp / kW		2.0	1.5	2.0	1.5
	6.4	Battery voltage, nominal capacity K5		V / Ah		24 / 620		24 / 620	
	6.5	Battery weight		lbs	kg	1,076	488	1,076	488
	Other	8.1	Type of drive control			AC speedCONTROL		AC speedCONTROL	
8.4		Sound level at the driver's ear			62		62		
8.6		Steering			electric steering		electric steering		

The Jungheinrich Advantage



Longer operating times mean more work done.

Innovative AC technology

More performance with reduced operating costs.

- Higher energy efficiency with lower energy consumption.
- Rapid acceleration for high productivity.
- Quick and secure changing of travel direction without a pause in neutral.
- No carbon brushes.

Comfortable operation

The advanced electronic speedCONTROL offers comfortable and secure travel with drive characteristic adjustment.

- The travel speed set by the driver on the control switch is maintained regardless of operation, e.g. during travel up or down an incline or ramp.
- Three programmable drive settings to cater to the travel demands of almost every application.
- Regenerative braking with energy recovery when reducing travel speed.

Rugged construction for the hardest applications

- Chassis made from high quality steel.
- Extra-high raised chassis apron on front cover.
- Torsion-resistant fork sections with strong pull-rods – unyielding design even with heavy loads and long forks.
- Capacity of up to 8,000 lbs. for carrying up to three non-stacked pallets simultaneously.
- Various fork lengths offered with integrated exit rollers, side blocks in fork tips, and plastic slides under the forks for easy pallet entry and exit.



easyPILOT follow

easyPILOT Follow

- Optimized picking with easyPILOT follow semi-automation enhances productivity and throughput.
- Truck detects operator's movements and follows them to the next pick location.
- Navigation and safety sensors identify obstacles, correct steering, and recognize side orientation of operator to truck.
- Easy retrofitting with easyPILOT Follow Prep.
- Intuitive, hands-free operation.

Central display and setting instrument

Extensive display provides a complete overview:

- Activation of the truck by easyACCESS via softkey or PIN (optional).
- The 2-inch display provides information on the battery discharge status, number of operating hours, travel speed as well as event messages and offers the option of selecting from three travel programs via softkey (optional).

Longer operating time

Energy saving 3-phase technology and high battery capacity allow longer time on the job.

- Lateral battery withdrawal (optional) for multi-shift applications.

Customized steering

Vertically-adjustable steering wheel.

- Electric steering with jetPILOT (standard).
- curveCONTROL: automatic speed reduction when traveling through curves.

Ideal workstation for maximum picking performance

- Diverse and individually configured storage options.
- Rapid lifting of the load by double pressing the lift button (optional).

Lithium-ion Package Advantages

- Fast charging with no need for battery exchanges
- Maintenance-free with no odors from gases or acidification
- Longer service life and lower maintenance compared with lead-acid batteries
- Charging can be interrupted at anytime
- 5-year battery warranty included

Additional accessories

An extensive range of accessories allows individual adjustment to your application:

- Touch mode buttons located in the backrest on both sides of the truck for pedestrian low-level, walk-beside order picking.
- A variety of backrest designs.
- Extra collision protection from steel or rubber.
- Additional accessories for working at the second level.
- Holder for radio data transmission equipment.
- LED daytime running lights.
- Floor spot warning light.

Parts when you need them

Jungheinrich's Parts Fast or Parts Free Guarantee ensures next-business-day delivery by 5:00 PM of all Jungheinrich parts in the United States, or they're free, including freight. For customers in Canada and Mexico, the guarantee ensures shipping of parts within 24 hours from the time the order was placed by the dealer. See your local Jungheinrich dealer for program details.

* Programs may be subject to change without notice and may vary by region. Please ask your local Jungheinrich dealer for complete terms and conditions.