



**PUT SNOW IN ITS PLACE**

58766 240th Street  
Mankato, MN 56002, USA

Call: (507)-625-6621  
Toll-Free: (800)-433-5620

[www.snowplows.hiniker.com](http://www.snowplows.hiniker.com)



**Scan Me.**  
Use your QR code reader on your  
smartphone to find out more about  
Hiniker snow and ice equipment





[www.snowplows.hiniker.com](http://www.snowplows.hiniker.com)

# PRODUCT CATALOG

PROFESSIONAL PERFORMANCE

PROFESSIONAL STRENGTH

PROFESSIONAL RESULTS















***PUT SNOW IN ITS PLACE***





## TABLE OF CONTENTS

	<b>INTRODUCTION</b>	<b>2</b>
	<b>MID-SIZE 700 SERIES</b>	<b>5</b>
	<b>CONVENTIONAL 2000 SERIES</b>	<b>6</b>
	<b>TORSION-TRIP SCOOP PLOW 6000 SERIES</b>	<b>8</b>
	<b>CONVENTIONAL 7000 SERIES</b>	<b>10</b>
	<b>CONVENTIONAL 10,000 SERIES</b>	<b>11</b>
	<b>C-PLOW 8000 SERIES</b>	<b>12</b>
	<b>TORSION-TRIP V-PLOW 9300 SERIES</b>	<b>14</b>
	<b>TRUCK PLOW ACCESSORIES</b>	<b>16</b>
	<b>SKID STEER SNOWPLOWS</b>	<b>18</b>
	<b>SKID STEER SNOW PUSHER</b>	<b>19</b>
	<b>VERSAPLOW</b>	<b>20</b>
	<b>LOADER SNOWPLOWS</b>	<b>24</b>
	<b>DROP SPREADER</b>	<b>25</b>
	<b>AUGER SPREADERS</b>	<b>26</b>
	<b>CONVEYOR SPREADERS</b>	<b>28</b>
	<b>STAINLESS STEEL TAILGATE SPREADERS</b>	<b>30</b>
	<b>BRINE APP</b>	<b>32</b>
	<b>TRUCK PLOW SPECIFICATIONS</b>	<b>33</b>



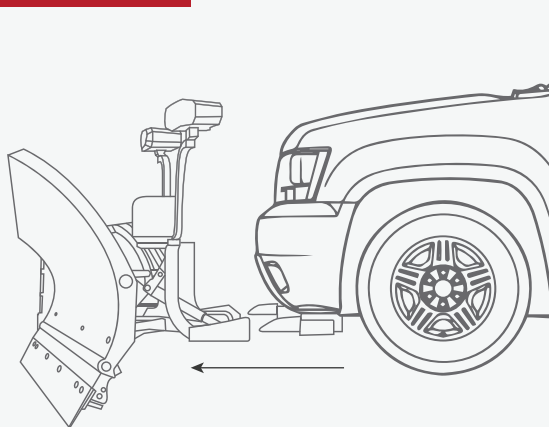
# Hiniker Innovation

Hiniker plows are built with one thing in mind—moving snow in the most efficient way possible! Check out the wide range of innovative designs on the following pages and find the perfect match for your plowing operation, whether it's a single plow or an entire fleet.

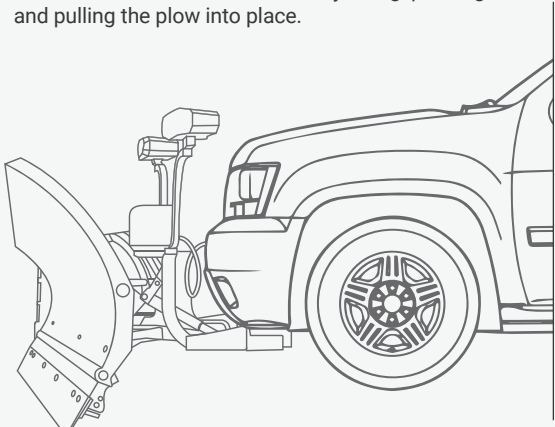
Hiniker plows are designed with the commercial plower in mind and our robust construction shows it. From the durable compression or torsion-type trip springs, to the reinforced moldboard frames, to the Quick-Hitch 2 attachment system, Hiniker plows are built to work.

Hiniker works to make the operator's experience as pleasant as possible. Hook-ups are a snap with the Hiniker Quick-Hitch and Quick-Hitch 2 systems. The compact joystick controller is unsurpassed for convenience and simplicity. Super-bright quad composite halogen headlights light your way while trip-edge or trip moldboard systems smooth the ride and protect your investment.

## Quick-Hitch



The Hinker Quick-Hitch is the fastest plow mounting system available. The self-aligning drive-in mount lets you connect your Hinker plow in seconds. This eliminates manually lifting, pushing, and pulling the plow into place.



Super-bright quad halogen headlights have up to twice the power of typical sealed beam lamps. These headlights help create a high visibility, high illumination working area, which improves overall operator and motorist safety.

The quad halogen headlights also feature an advanced reflector array that maximizes brightness and increases beam pattern and range. Wrap-around turn signal lamps help increase visibility from all angles. Get maximum visibility for added safety, and better, faster plowing operations.

## High-Performance Trip-Edge Plows



### Heavy-Duty Poly Moldboard

Hinker 700, 6000, 7000, 9300, 10000 series plows offer a high-density polyethylene moldboard that allows snow to flow easily for more efficient plowing. Plus it is dent resistant and corrosion-free.



### Horizontal-Truss Moldboard Frame

The horizontally trussed structure of the moldboard provides exceptional resistance to bending and bowing for extra heavy-duty applications. Laser-cut steel ribs add exceptional strength.

\*Shown with optional skid shoes.



### Split Trip-Edge

Each section of the trip-edge operates independently of the other, reducing stress and twisting forces on the plow. (8000 Series Shown)

# Testimonials



Have a Hiniker Story to share? Submit your #HinikerHeroes story at <https://snowplows.hiniker.com/hinikerheroes/>

After one year of aggressive commercial use, I can honestly recommend Hiniker plows to any commercial user or home owner. The plow can withstand any abuse you can dish at it, it can move any pile that your truck can handle. I believe the plow will save you money, not only at the initial purchase, but also in repairs to the plow and long term wear and tear to your truck.

- **Tim Foss**  
Foss Motors Inc.

Having owned a C-Plow since 2004, I have had very few issues. I need the C-Plow mainly because of the apartment buildings I own; they require a lot of snow removal from the back of parked cars where the snow needs to be directed to specific spots, so the back dragging feature is a big deal. My other choice is to wait for people to move all of the cars, which can take up time, or I need to go back another time and clean.

- **Arne Godtfredsen**

This isn't your typical #HinikerHeroes story. At Ground Force 1 Automotive we were looking for something new and exciting to add onto our car sales and service business.

I have known of the Hiniker brand for years, since I have been in the industry for a while. One day, the Hiniker C-Plow video came up on my newsfeed on social media, and at that moment it hit me! I decided we need to sell these plows.

I went into work the next day, showed the boss, and he instantly said, "where is the closest dealer?" We looked it up on Hiniker's website, and the closest dealer was about 3 hours away.

My boss made the call and had our meeting, and here we are today: Ground Force 1 Automotive, Plattsburgh New York's Authorized Hiniker Dealer.

- **Ground Force 1 Automotive**  
Plattsburgh New York's Authorized Hiniker Dealer

I've owned multiple Hiniker plows through the years, and I just upgraded to a new flare top V-Plow. From plowing driveways to ice roads on the lake, I couldn't be happier!

- **Randy Kirk**

My Hiniker experience began by purchasing a used 7.5 foot straight blade. It was at least 8-10 years old and still in good shape. That was 7 years ago, and besides a coat of paint and a new wear bar it's still kicking. Four or five years ago, I invested in a 9850 V-Plow based on the reliability of the old straight blade. I've since purchased a 1000 Series Tailgate and this year a new 775 Dual Motor Auger spreader.

I'm thoroughly happy with all the purchases and performance. Also, through the years, I've been asked as a customer for feedback and also given some unsolicited feedback. Hiniker has welcomed and encouraged this. Hiniker is a great company with a great product. I'm already looking forward to my next purchase.

- **Ben Meckbach**

I just installed the 9.5 high wing V-Plow on my 2000 F350, also been a Hiniker dealer/plow installer for about 6 years Hiniker makes an amazing product through and through!!!!

We have been servicing snow plows of all brands for years and Hiniker is by far one of the best brands to work on and plow with in my personal opinion, the simple design and ease of use make it an enjoyable companion to any professional or residential plower. However I since moved to Northern Michigan in 2017 and started my own powersports shop, but still work very closely with Clyde's as it is still in my blood lol. I use mine for personal use and a couple small residential drives, although I would not have any other brand of plow hanging off the front of my truck!!!

- **Joe Spurgeon**



# Mid-Size

## 700 Series



Super-bright quad halogen headlights have up to twice the power of typical sealed beam lamps.

Hydraulic scissors lift cuts transport bounce, eliminates lift chains.

6 Vertical and 2 diagonal ribs provide strength and support.

Full moldboard trip system helps protect plow and truck.

Low-maintenance poly (or stainless steel) moldboard surface reduces friction, never needs painting. Optional rubber or polyethylene snow deflectors.

Fully hydraulic lift and angling system.

3/8" x 6" high-carbon steel replaceable cutting edge.

Get the reliability and convenience that Hiniker Mid-Size plows are famous for, now in your choice of either HDPE or Stainless Steel moldboards! Hiniker 700 Series plows are built for homeowners and small businesses who do their own winter property maintenance. Commercial quality lights, wiring, controls, and hydraulic components provide unparalleled reliability in a compact plow.

- Fully hydraulic controls
- Low maintenance full-trip moldboard
- Exclusive Hiniker Quick-Hitch mounting system



### Specifications:

MODEL	702	752	702SS	752SS
Blade Width	7' (76" at full angle)	7 1/2' (82" at full angle)	7' (76" at full angle)	7 1/2' (82" at Full angle)
Blade Height	26"	26"	26"	26"
Moldboard Surface	1/4" HMW Black Polyethylene	1/4" HMW Black Polyethylene	14 GA 304 Stainless Steel	14 GA 304 Stainless Steel
Cutting Edge	3/8" x 6" x 84"	3/8" x 6" x 92"	3/8" x 6" x 84"	3/8" x 6" x 92"
Weight (Net of Truck Mounted Hardware)	467 lb.	474 lb.	494 lb.	508 lb.

# Conventional

2000 series



Super-bright quad halogen headlights.

Externally mounted pump simplifies installation, comes off the truck with the plow.

Robot welded blade and frame assure uniform quality.

30" tall, high curve blade rolls snow off quickly.

Entire moldboard trips with soft-return compression springs.

Heavy-duty box section plow frame resists twisting & bending.

Hydraulic scissors lift cuts transport bounce, eliminates chains.

Cast iron skid shoes included as standard equipment.

# Get Professional Performance with Hiniker Straight Blade Plows

Take a professional approach to snow removal! Hiniker 2000 Series full-trip snowplows use box section frames and heavily reinforced moldboards for strength and durability. 30 inch tall high-curve moldboards move heavy snowfalls quickly. Our hydraulic scissors lift reduces transport bounce and bang. Convenient compact joystick controls can be mounted anywhere or held in the palm of your hand. And the Hiniker Quick-Hitch mounting system is one system that truly lives up to its name. Count on Hiniker's proven performance—the professionals choice!

# Conventional

## 2000 Series



Polyethylene snow deflector (optional) provides a slick surface for smooth snow flow.

Progressive action full-trip design activates compression springs for trouble free performance.

\*Shown with optional snow deflector.

### Specifications:

MODEL	2753	2803	2853
Blade Width	7 ½'	8'	8 ½'
Plow Width @ 31° Angle	77"	82"	87"
Blade Height	30"	30"	30"
Gauge of Steel	12GA	12GA	12GA
Vertical Ribs	6	6	8
Compression Trip Springs	2	2	4
Cutting Edge (High Carbon 1084 Steel)	¾" x 6"	¾" x 6"	¾" x 6"
Power Angling Rams	1 ½" x 10"	1 ½" x 10"	1 ½" x 10"
Weight (Net of Truck Mounted Hardware)	603 lb.	614 lb.	649 lb.



# Torsion-Trip Scoop Plow

6000 series



Super-bright quad halogen headlights have up to twice the power of typical sealed beam lamps.

1/4-inch thick HMW low-friction polyethylene moldboard never needs refinishing.

Simple, reliable torsion-trip edge provides independent protection to each plow section.



Hydraulic scissors lift cuts transport bounce, eliminates chains.

Horizontal-truss moldboard frame provides exceptional resistance to bending and bowing.

Cast iron skid shoes are available as optional equipment.

## The ULTIMATE Parking Lot Plow

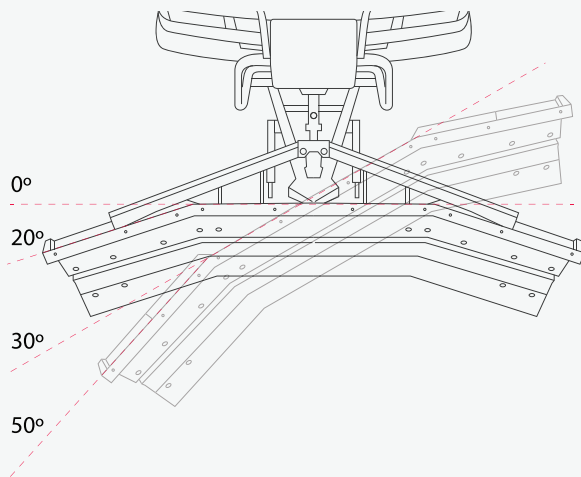
Move snow more efficiently with a Hiniker trip-edge Scoop plow. The unique concave shape captures snow, providing greater capacity, less spillage, and faster, more efficient clean-up—plus the protection of a full width, three-section, high-clearance trip-edge.

# Torsion-Trip Scoop Plow

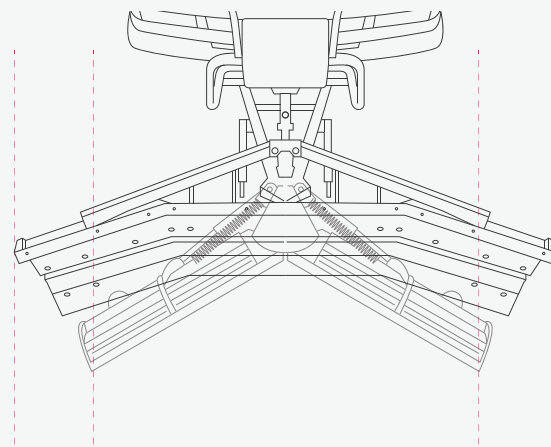
6000 Series



- 20° Fixed-angle outer ends
- Conventional plow weight and simplicity
- V-Plow capacity and efficiency
- Fixed-end plow simplicity



The ability of the Hiniker Scoop plow to angle full right or full left for conventional plowing, combined with the outer end's 50-degree forward angle, significantly reduces high-side spillage. The Scoop plow is ideal for parking areas and large lots where high-capacity, high-efficiency plowing is essential.



The Hiniker Scoop's concave shape captures more snow than other plow designs. Its concave design and fixed-end simplicity provides operators an effective and efficient plow for a wide range of applications.

## Specifications:

MODEL	6812	6912
Blade Width (Measured at Trip Pin)	8'	9'
Plow Width @ 31° Angle	83"	93"
Blade Height	30"	30"
Moldboard Surface	¼" HMW Poly	¼" HMW Poly
Vertical Ribs	6	8
Torsion Trip Springs	8	8
Power Angling Rams	1½" x 10"	1½" x 10"
Weight (Net of Truck Mounted Hardware)	749 lb.	803 lb.

# Conventional

## 7000 Series



The high-tensile steel superstructure of the moldboard provides exceptional resistance to bending and bowing, for extra heavy-duty applications.

Super-bright quad halogen headlights have up to twice the power of typical sealed beam lamps.

Externally mounted pump simplifies installation, comes off the truck with the plow.

Slick 1/4" HMW poly moldboard surface resists dents, never needs paint.

30-inch tall high curve, high-density polyethylene moldboard is dent-resistant and corrosion-free. Snow flows easily for more efficient plowing. Optional rubber or polyethylene snow deflectors.

Split-trip edge allows right and left side cutting edges to trip independently.

Chrome-Alloy bars for extended cutting edge clip.

Cast iron skid shoes are available as optional equipment

## The ULTIMATE Performance With Hiniker Trip-Edge Straight Plows

The horizontal-truss moldboard design provides incredible strength, durability and resistance to bowing. The corrosion-proof HPDE moldboard is dent-resistant with less surface friction for easier plowing and greater efficiency. Protection is provided by Hiniker's exclusive split trip-edge design.



Also available in 12 ga. Stainless Steel (7812SS & 7912SS) .

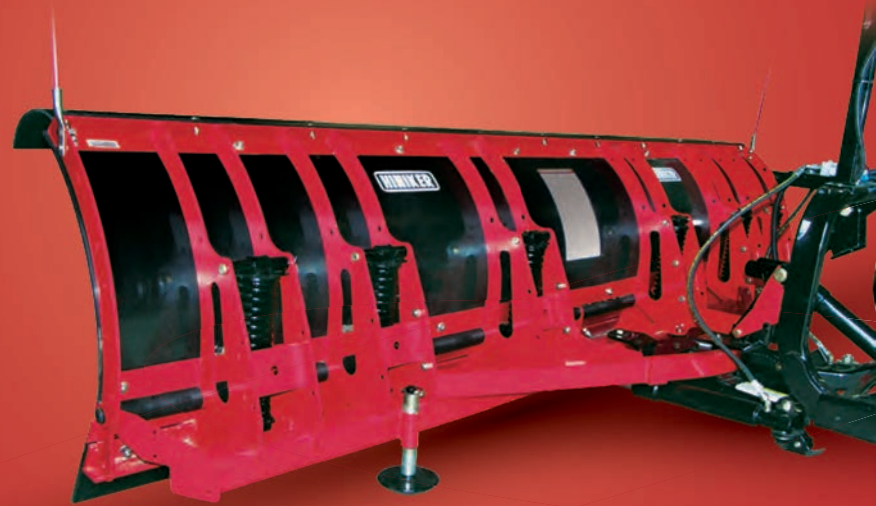
# Conventional

## 10,000 Series



Get professional plowing performance for your Ford F450/F550, GM 4500/5500 or Dodge 4500/5500. Extruded polyethylene snow deflectors are included as standard equipment.

- 32" Tall high-capacity moldboard
- Corrosion-free, dent-resistant black HDPE polyethylene surface
- 14 Rib welded moldboard frame
- Two-section split trip edge with 6 trip springs for maximum protection
- 8 inch cutting edge—1/2 inch thick



- High clearance split trip-edge
- Extra strength trussed moldboard frame
- Super-bright quad halogen headlights
- Exclusive Hiniker Quick-Hitch 2 mounting system



Convenient, compact fingertip control mounts anywhere or can be hand held.



High clearance split trip-edges operate independently of one another, reducing stress and twisting forces on the plow.

### Specifications:

MODEL	7812	7912	7812SS	7912SS	10331
Blade Width	8'	9'	8'	9'	10'
Plow Width @ 31° Angle	83"	93"	83"	93"	103"
Blade Height	30"	30"	30"	30"	32"
Vertical Ribs	6	6	6	6	14
Compression Trip Springs	—	—	—	—	6
Torsion Trip Springs	6	6	6	6	—
Cutting Edge (High Carbon 1084 Steel)	3/8 x 6"	3/8 x 6"	3/8 x 6"	3/8 x 6"	1/2 x 8"
Weight (Net of Truck Mounted Hardware)	720 lb.	777 lb.	761 lb.	825 lb.	938 lb.

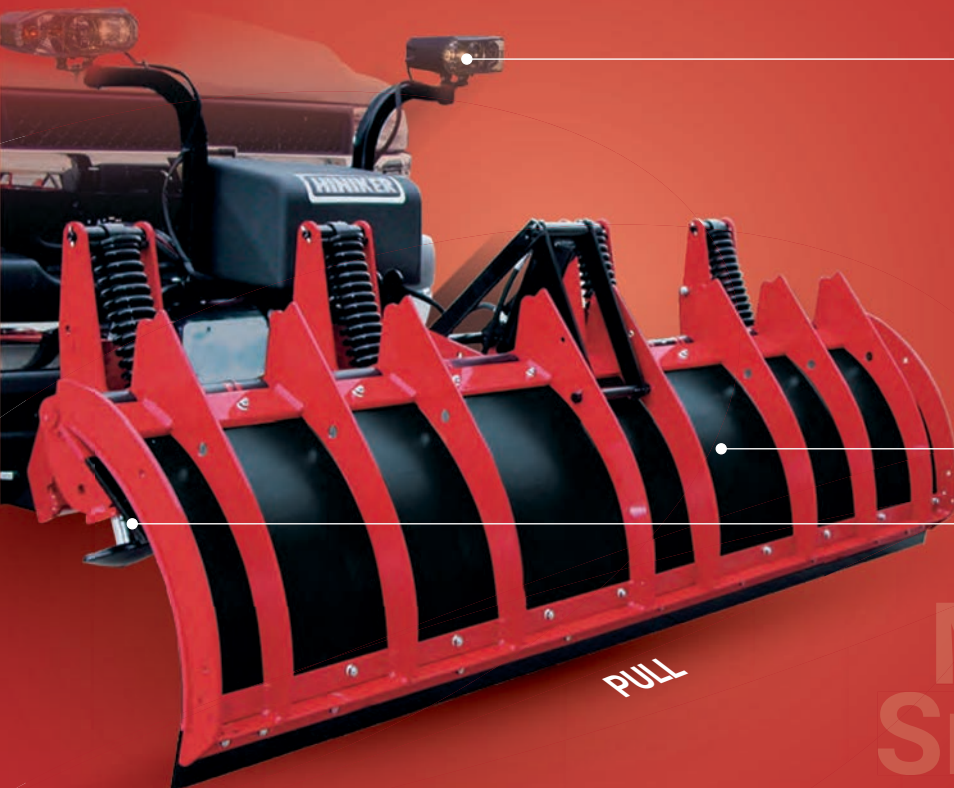
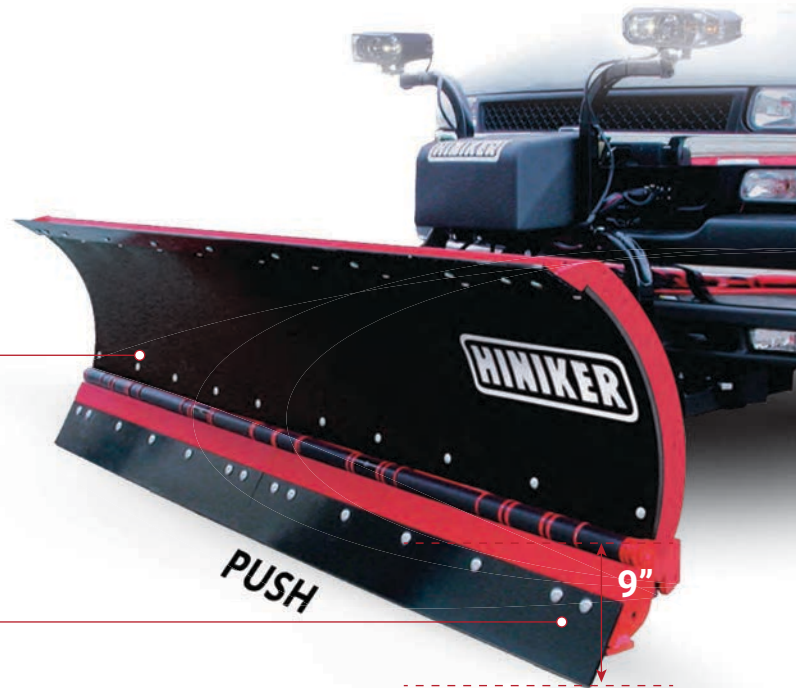
# C-Plow

8000 series



30-inch tall, high curve, high-density polyethylene moldboards are dent-resistant and corrosion-free. Snow flows easily for more efficient plowing.

Pinch-free pivot point is 9 inches above the surface providing protection from higher obstacles such as curbs and parking barriers.



Super-bright quad halogen headlights have up to twice the power of typical sealed beam lamps.

The high-tensile steel superstructure of the moldboard provides exceptional resistance to bending and bowing, for extra heavy-duty applications. 10 laser-cut steel ribs add exceptional strength.

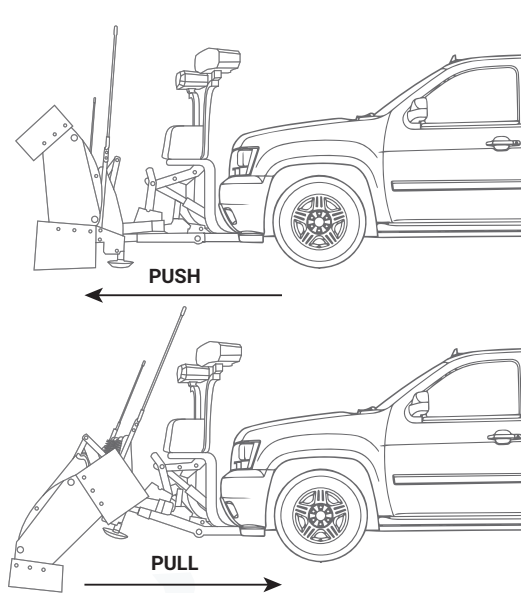
Long-lasting cast ductile-iron skid shoes.

## Move More Snow Faster

The Hiniker C-plow offers all of the heavy-duty performance of a conventional plow plus the added versatility of a high performance backdrag plow. Plow loading docks, residential driveways and congested parking areas faster than ever. The patented Hiniker C-Plow blade actually converts from a conventional plow into a backdrag plow with the push of a button, letting you remove snow quickly and easily from garage aprons, curbs, loading docks, and tight corners. Then touch a button again to flip the blade upright and push the snow away.

# C-Plow

## 8000 series



\*Shown with optional box ends.  
\*Optional box end wings reduce spillage to capture more snow.

- Exclusive high pivot-point trip-edge
- Super-bright quad halogen lights
- Converts from a conventional plow to a backdrag plow with the push of a button



The compact joystick control puts full control of all plow functions in the palm of your hand.



High-clearance split trip-edges operate independently of one another, reducing stress and twisting forces on the plow.

### Specifications:

MODEL	8802	8902
Blade Width	8'	9'
Blade Height	30"	
Moldboard Surface	¼" HMW poly	
Vertical Ribs	10	
Compression Trip Springs	4	
Plow Width @ 31° Angle	83"	93"
Top Cutting Edge (1044 Steel)	¼ x 4"	
Lower Cutting Edge (1044 Steel)	¾ x 6"	
Trip Pivot Point Height	9"	
Weight (Net of Truck Mounted Hardware)	800 lb.	848 lb.

# Torsion-Trip V-PLOW

9300 series



Super-bright quad halogen headlights have up to twice the power of typical sealed beam lamps.

Moldboards flare out from 30 inches high at center to 37 inches (8 1/2' plow) or 38 inches (9 1/2' plow). The high curve corrosion-proof and dent-resistant HDPE plow surface reduces friction for better snow flow resulting in more efficient plowing. Optional rubber or polyethylene snow deflectors available.

Wrap-around curb guards with chrome-alloy wear-bars provide protection from premature wear and damage.

Chrome-alloy wear-bars for extended cutting edge life.



## Solid Performance in a Torsion Trip-Edge Plow



Top-quality design, construction, and components in a contractor-duty plow.

Double-acting hydraulic cylinders hold wings securely in position, even while backdragging.

Simple, reliable torsion-trip edge provides independent protection to each plow wing.

The Hiniker 9300 Series Torsion-Trip V-Plows offer the versatility that only a V-Plow can, along with the strength and operator convenience that you've come to expect from Hiniker. Deep-curl flared wings cast deep snow farther and higher, while providing more scoop capacity than ever.

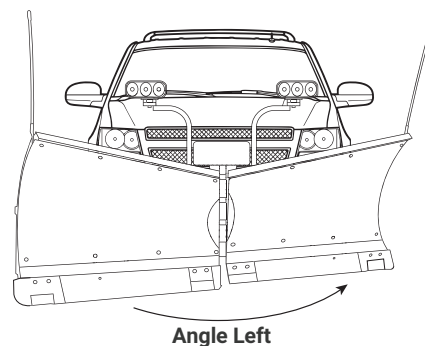
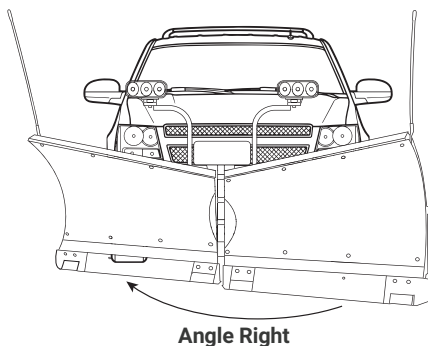
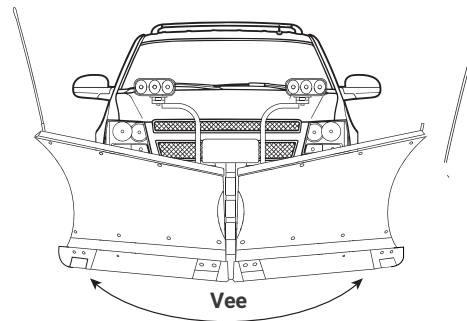
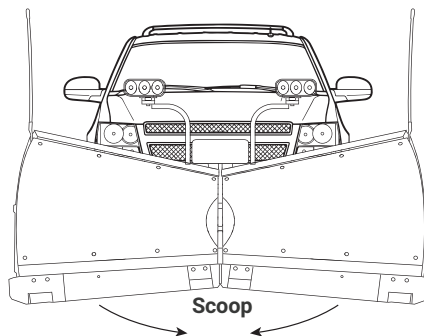
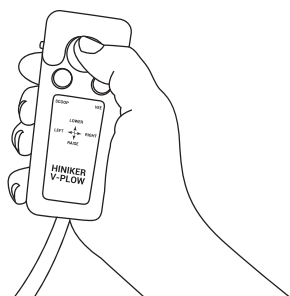
# Torsion-Trip V-Plow

## 9300 Series



Convenient Command of all V-plow functions:

- Scoop
- Vee
- Angle Right
- Angle Left
- Raise and Lower



- Available in 8.5 and 9.5 ft. widths.
- Customizable with optional skid shoes, wing kits, and snow deflectors.



One pass plowing . . . no problem! Hiniker's pitch adjustment levels the blade to assure full ground contact for optimum cleaning efficiency.



High-performance power unit provides quick response & long-term reliability.

### Specifications:

MODEL		9385	9395
Blade Width		8 1/2'	9 1/2'
Cutting Widths	V-Position	93"	103"
	Scoop	84"	94"
	Straight	102"	114"
	Angle	88"	99"
Moldboard Height		30-37"	30-38"
Moldboard Surface		1/4" HMW poly	
Trip Springs		6	
Weight (Net of Truck Mounted Hardware)		841 lb.	887 lb.



# Truck Plow Accessories

Maximize Performance



## Rubber Snow Deflectors



Flexible rubber snow deflectors are designed to keep blowing snow out of the driver's sightline, while providing flexibility when carrying or stacking big loads. Add a spring kit for additional rigidity.

## Conventional Plow Box Ends



Capture snow with a set of Hiniker box ends. Recommended for best backdragging efficiency with the Hiniker C-Plow. (Not available for V-plows, Scoop plows or Mid-Size series plows.)

## Polyethylene Snow Deflectors



Semi-rigid polyethylene provides a slick surface for enhanced snow flow. Adaptable to all Hiniker plows except the C-Plow.

## Flexstand



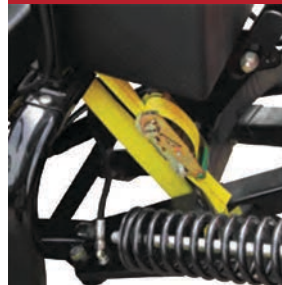
Make the most user-friendly controller in the industry even better with a Hiniker Flexstand. Easy to install, a convenient magnetic mount allows quick removal when not needed.

## Wear Bars



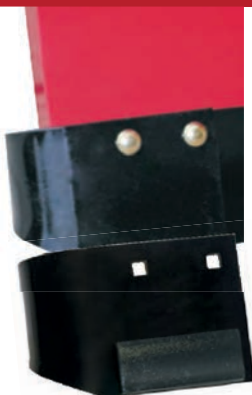
Save time and reduce maintenance costs with a set of abrasion-resistant chromium alloy wear bars. Get as much as three times the normal cutting edge wear life. (Standard on 6000, 7000 Series)

## Snowplow Emergency Transport Strap



In the unlikely event of hydraulic or electrical failure, this handy strap will hold the plow up in the transport position while driving back to the shop.

## Curb Guards



Wrap-around curb guards protect the ends of your plow from excessive wear, helping prevent expensive repairs. Available for all Hiniker plows.

Also available with integrated chromium alloy wear bars for enhanced cutting edge life. (Standard on 9300 V-Plows)

## V-Plow Box Wings



\*Shown on flared wing.

Available for Trip Edge V-Plows.

Add more carrying capacity to your Hiniker V-Plow. Designed for quick single-pin installation on each side of the plow, they are easily removed for transport or for conventional plowing.

# Accessories

Maximize Performance



## Rubber Cutting Edges



Protect expensive brick, cobblestone, and embossed surfaces with a Hiniker rubber cutting edge. Comes complete with attaching hardware.

Available for all models except V-plows.

## ½" Steel Cutting Edges



Get extra wear in heavy use with ½" thick replacement cutting edges. Available as replacement parts for all Hiniker plows except the 700 Mid-Size Series.

## Skid Shoes



Standard equipment on 2000, 8000, and 10000 Series Plows, these long-lasting cast ductile iron skid shoes may also be ordered and installed on the 700, 6000, 7000, and 9300 Series Plows.

## Emergency Parts Kit



Contains several of the most commonly needed repair parts, including pins, a hydraulic hose, solenoid coil, headlight relay, and hydraulic fluid.

## Hiniker Cold Flow Hydraulic Fluid



Ensure maximum cold weather performance with genuine Hiniker Cold Flow hydraulic fluid. Minus 60 degree pour point ensures faster, more efficient operation in all types of weather.

## Genuine Hiniker Replacement Parts



Maintain your Hiniker Equipment with genuine Hiniker factory replacement parts. Get the exact spec and fit you need for top performance.



# Skid Steer Snowplows, Pushers, and Spreaders



## Skid Steer Snowplows, Pushers, and Spreaders

# Skid Steer Snow Pushers

3600 series



Hiniker 3600 Series snow pushers combine the simple efficiency of a box-type snow pusher with the quality and durability that Hiniker is known for. A durable rubber cutting edge provides superior cleaning on paved surfaces while heavy-duty steel skids carry the pusher over uneven surfaces. 3/8 inch thick steel sides are 36 inches deep for plenty of snow moving capacity. Utilizes the skid-steer universal attachment system.

An Optional Pull-back attachment bolts on easily, adding a second rubber cutting edge and rubber side seals for efficient backdrag performance.



## Specifications:

MODEL	OVERALL WIDTH	OVERALL HEIGHT	DEPTH	WEIGHT-PUSHER ONLY	WEIGHT-w/PULLBACK
3607	84"	36"	36"	755 lb.	922 lb.
3608	96"	36"	36"	836 lb.	1,031 lb.
3610	120"	36"	36"	917 lb.	1,140 lb.

# VersaPlow

4000 series



## The ULTIMATE Tool for Snow Removal

This revolutionary new design from Hiniker provides the ultimate in efficiency, combining the functions of a box-style containment pusher, a backdrag containment box, and a conventional snowplow into one rugged piece of equipment. Hydraulically roll the end panels into any position from the cab. All three functions are always at your fingertips



# VersaPlow

## 4000 series



### PUSH



With side panels in the forward positions the VersaPlow is a high-capacity snow pusher.



### PULL



Roll the side panels rearward to form a super-efficient backdrag box plow.



### WINDROW



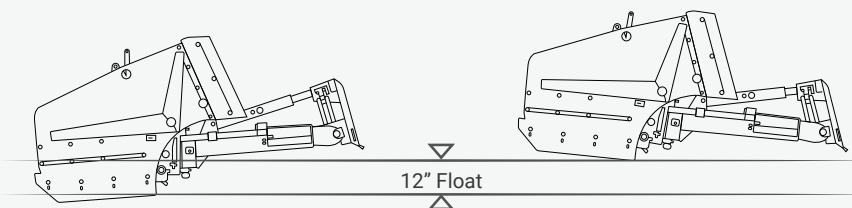
The VersaPlow also features full hydraulic angling capabilities for conventional windrow plowing.



Fast, easy hydraulic controls change the configuration of VersaPlow in seconds. No need to mount or re-mount equipment. No need to leave your cab!

Available in  
8, 10, or 12 ft overall widths

Available floating oscillating hitch option permits up to 12 inches of vertical travel at the cutting edge. Requires a single pair of hydraulic outlets. An electrical diverter valve controls flow to either the angle or end panel rotation cylinders. Available with a 14 pin connector (to fit most skid steers and compact loaders) or a 7-pin CANbus adapter (for late model Bobcat [R] machines) or a universal single-button diverter control and harness.



## Specifications:

MODEL	Width	Cutting Edge	Weight with Standard Hitch	Weight with Floating Hitch
4108	96"	1½" Urethane	1118 lb.	1209 lb.
4208	96"	Steel Trip-Edge	1251 lb.	1342 lb.
4110	120"	1½" Urethane	1222 lb.	1313 lb.
4210	120"	Steel Trip-Edge	1391 lb.	1482 lb.
4212	144"	Steel Trip-Edge	NA	1681 lb.

# Skid Steer Plows



## CONVENTIONAL



- Tubular box-section frames
- Reinforced 30-inch High 12-gauge steel moldboard
- Moldboard floats and oscillates to clean uneven surfaces
- Full moldboard trip with dual compression springs
- Universal mounting plate attachment
- Abrasion-resistant sheathing protects hydraulic hoses

## 10 FOOT TRIP EDGE POLY

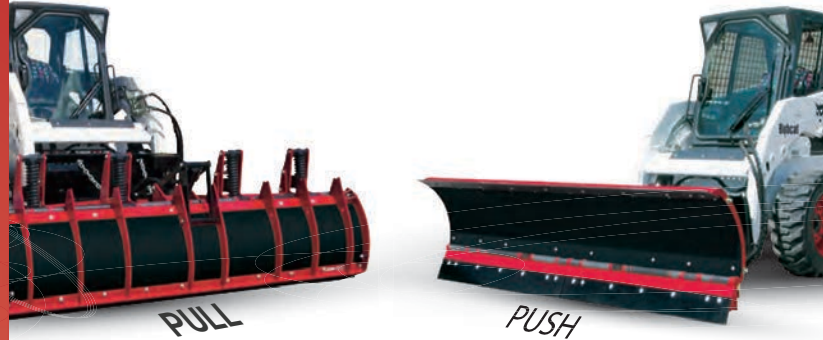


- Model 2103 features 32" tall high capacity moldboard

### Specifications: Series 2275/2280/2285/2103

MODEL	BLADE WIDTH	BLADE MATERIAL	WEIGHT	TRIP SPRINGS	CUTTING EDGE
2275	7 ½'	12 GA. Steel	492 lb.	2	¾ x 6"
2280	8'	12 GA. Steel	507 lb.	2	¾ x 6"
2285	8 ½'	12 GA. Steel	542 lb.	4	¾ x 6"
2103	10'	¼" HMW Poly	903 lb.	6	½ x 8"

## C-PLOW



### Corrosion-free, low-friction poly moldboard surface

- Compare speed and efficiency. The C-Plow lets you move more snow in less time.
- Converts from a conventional plow to a backdrag plow with the touch of a button.
- Complete snow removal without a separate backdrag plow or loader.

Get the performance of a conventional plow and the added versatility of a backdrag plow in a single unit. Cut through snow with the power of a conventional plow. Then, with push-button ease, capture and pull snow as the blade transforms into a backdrag plow. Tight spaces, building edges, loading docks, curbs and corners are cleared quickly and easily.

### PUSH



### CONVERT



### PULL



### Specifications: Series 2881/2891

Blade Height	30"
Blade Thickness	¼" HMW Poly
Weight	8' 773 lb. 9' 808lb.
Compression Trip Springs	4
Cutting Edge (High-Carbon Steel) Bottom	¾ x 6"
Cutting Edge (1044 Steel) Top	¼ x 4"

# Skid Steer Plows



## V-PLOW

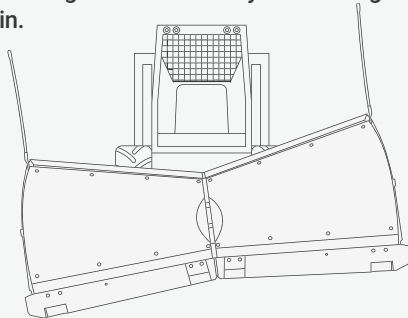


- Torsion spring trip-edge protection
- Two-way hydraulics provide full moldboard control in Vee, scoop, left, right or straight modes
- Box-section steel-tube frame for long-term strength
- Abrasion-resistant sheathing protects hydraulic hoses from wear
- Universal mount plate for easy hook-up

**SLICK HMW POLY SURFACE.**



Floating, oscillating moldboard stays on the ground in uneven terrain.

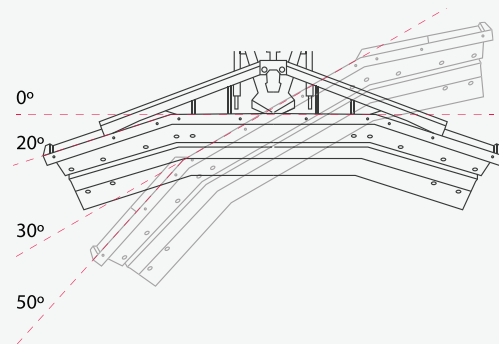


## SCOOP



- 20° Fixed-angle outer ends
- Conventional plow weight and simplicity
- V-Plow capacity and efficiency

Concave shape captures snow to efficiently clear lots and parking areas. Angles left or right for conventional plowing. Outer end is angled forward at 50° in full left or right position, reducing high-side spillage.



## Specifications: Series 29285/29295

Blade Height	30"
Blade Width(Measured at Trip Pin)	8 ½' 9 ½'
Blade Thickness	¼" HMW Poly
Weight	677 lb. 716 lb.
Torsion Trip Springs	6

## Specifications: Series 2682/2692

Blade Height	30"
Blade Width(Measured at Trip Pin)	8' 9"
Blade Thickness	¼" HMW Poly
Weight	685 lb. and 748 lb.
Torsion Trip Springs	8
Cutting Edge (High-carbon Steel)	6"



# 6', 7' & 7 1/2' Loader Snowplows

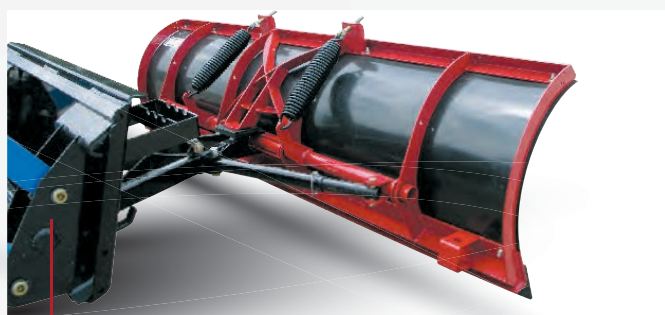
## 200 Series



- Full-trip 26 inch tall moldboard
- Full 25 degree left and right rotation
- Choice of manual or hydraulic angle control
- Durable, corrosion-proof HMW poly surface
- Floating design follows uneven terrain
- Quick-tach universal skid steer type mounting plate



Oscillating, floating design follows uneven and rutted surfaces for cleaner plowing. Slick HMW poly moldboard is dent-resistant and corrosion free. Now available with universal skid-steer style mount or John Deere loader mount.



Easy hook-up to any loader equipped with a skid steer universal attachment plate. Dual springs provide full trip protection. Six horizontal and two diagonal ribs strengthen the moldboard.

### Specifications:

MODEL	BLADE HEIGHT	BLADE WIDTH	BLADE THICKNESS	WEIGHT	TRIP SPRINGS	CUTTING EDGE (HIGH-CARBON STEEL)
260	26"	6'	1/4" HMW Poly	397 lb.	2	3/8" x 6"
270	26"	7'		429 lb.	2	3/8" x 6"
276	26"	7 1/2'		436 lb.	2	3/8" x 6"

# Drop Spreader



## Specifications:

ATTRIBUTE	MEASUREMENTS
Dimensions	57.5 W x 33.5 H x 35.5 D
Weight	425 lb
Yard Capacity	½" CU. YD
Wide Roller Size	2"

# Auger Delivery Spreaders



- Dual 12-volt motors independently power the auger and spinner
- Standard Steel Hopper Screens
- Standard Electric Hopper Vibrator
- 2.0 cubic yard level capacity
- Optimally sized for use in either a 6.5 ft. or 8 ft. pickup bed



## Efficient, Accurate Low-Maintenance Delivery System

Hiniker Dual-Motor Electric Auger Spreaders use an efficient 5.75-inch diameter auger conveyor system to provide positive delivery control with no material carry-back into the truck bed. With no conveyor chain, far fewer bearings, and 12-volt electrical motor power, maintenance needs are cut to a minimum. Two electric motors provide independent variable speed control of the auger and the spinner for precise rate and pattern control.

# Auger Delivery Spreaders



**MODEL 955** 2.75 cubic yard capacity



**MODEL 975** 4 cubic yard capacity



### Hiniker Control Console

- Individual variable speed control of conveyor and spinner
- Blast control for quick, extra-dense application
- Reverse switch to clear jams
- Built in diagnostics and overload protection
- Vibrator Switch



Convenient tip-up spinner assembly for unloading unused material and easy trailer hitch access. Standard or extended chute length.



Electric hopper vibrator helps prevent bridging of material. Optional on conveyor delivery spreaders and standard on auger delivery models.



Hopper screens are optional on conveyor delivery spreaders and standard on auger delivery models. Removable hopper cover tarps are optional on all models.

## Specifications:

MODEL	DUAL-MOTOR ELECTRIC AUGER		
	775	955	975
Level Capacity	2.00 Cubic Yards	2.75 Cubic Yards	4.00 Cubic Yards
Length	100" Overall 91" Hopper	122" Overall 111" Hopper	122" Overall 111" Hopper
Top Width	51.0"	51.0"	51.0"
Vibrator	Standard	Standard	Standard
Removable Hopper Cover Tarp	Optional	Optional	Optional
Hopper Screens	Standard	Standard	Standard

# Conveyor Delivery Spreaders

## Dual-Motor Electric



- Dual Electric Drive Motors independently power the conveyor and spinner
- Stainless Steel Construction
- Adjustable Stainless Steel Inverted Vee
- Optional Steel Hopper Screens



Spread ice control materials quickly and easily with an efficient Hiniker spreader. Snow removal contractors looking for additional profits will find them in ice control.

Tailor your material application rates accurately with Hiniker 635 & 835 Dual-Motor Electric Conveyor Spreaders. Hiniker's convenient in-cab console provides individual variable speed control for both the conveyor and spinner. Two electric motors offer quiet operation in residential and office areas, plus no downtime for refueling. A 25-ft spread pattern and big 1.50 or 1.80 yard capacities mean you'll spend your time productively, rather than constantly reloading.



- Hiniker Control Console has an individual variable speed control of conveyor and spinner
- Blast control for quick, extra-dense application
- Reverse switch to clear jams
- Built in diagnostics and overload protection
- Vibrator Switch



Electric hopper vibrator helps prevent bridging of material. Optional on conveyor delivery spreaders and standard on auger delivery models.



Convenient tip-up spinner assembly for unloading unused material and easy trailer hitch access. Standard or extended chute length. Available on all Hiniker Dual-Motor Electric and Gas Engine Spreaders.



Hopper screens are optional on conveyor delivery spreaders and standard on auger delivery models. Removable hopper cover tarps are optional on all models.

# Conveyor Delivery Spreaders

OHV Gas Engine



- Available in 6.5' & 8' hopper lengths
- Corrosion-resistant stainless steel construction
- In-cab electric control of starter, throttle, and clutch functions
- Briggs & Stratton Intek AVS OHV engine



## Precision Controlled Accurate Applications

### Specifications:

MODEL	DUAL-MOTOR ELECTRIC CONVEYOR		OHV GAS ENGINE CONVEYOR	
	835	635	825	625
Level Capacity	1.80 Cubic Yards	1.50 Cubic Yards	1.80 Cubic Yards	1.50 Cubic Yards
Length	115" Overall 96" Hopper	97" Overall 78" Hopper	115" Overall 96" Hopper	97" Overall 78" Hopper
Top Width	50.5"	50.5"	50.5"	50.5"
Max Application Rate	5 cu. ft./min	5 cu. ft./min	7.3 cu. ft./min	7.3 cu. ft./min
Vibrator	Optional	Optional	N/A	N/A
Removable Hopper Cover Tarp	Optional	Optional	Optional	Optional
Hopper Screens	Optional	Optional	Optional	Optional

# Stainless Steel Tailgate Spreader



- High-quality 304 stainless steel hoppers in 6 and 10 cubic foot capacities.
- “No-Dribble” bubble auger design means the flow stops when the auger stops.
- Superior design, construction, and components in a contractor-duty spreader.

## Professional Quality “No-Dribble” Flow Control Spreader

The Hiniker stainless steel tailgate spreader provides optimum control for material spreading applications. The specially designed auger system prevents material from dribbling and leaking through the spreader when the motor is stopped. Two capacity options are available to meet specific application needs. Stainless steel construction and durable design mean reliability and performance season after season.



Optional swing-away hitch provides convenient access to the truck bed & tailgate. (Shown on Model 1000)



Optional vibrator helps keep material moving.



Convenient in-cab variable speed controller with blast control and control for optional vibrator.

# Tailgate Spreader Attachment Options



## Attachment Kits for Hiniker 600 & 1000 Stainless Steel Tailgate Spreaders



Category 1 Three-Point Hitch Mount



Trailer Kit  
(for off-highway use only)



Skid-Steer Mount Kit for Universal Mount Plate



UTV Bed Rail Mount Kit

### Specifications:

MODEL	600	1000
Level Capacity	6 Cubic Foot	10 Cubic Foot
Net Weight	105 lb.	130 lb.



# Brine-App

Liquid Brine Applicator



500 Gallon Poly Tank

2" Flow Meter

3 Electric Boom Section Valves

2" Polypropylene Pump

2" Servo Valve

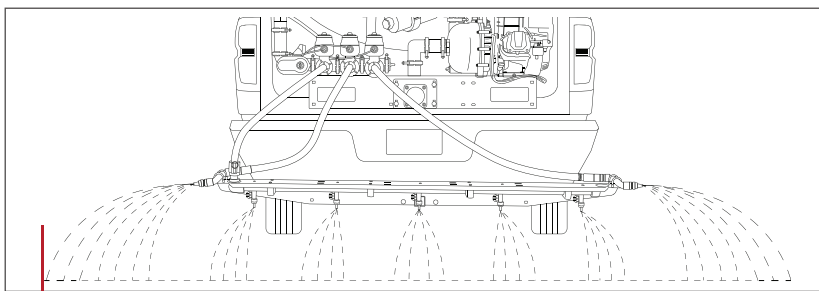
High Capacity Boomless Outer Nozzles

3 Section Boom with 2" Receiver Mount

Rear and Side Fork Lift Access

1" Quick Disconnect for Easy Removal

Stainless Steel Frame and Boom Support



Center boom section and outer broadcast nozzles can be turned on or off individually as needed with the Spray Mate II controller



Micro Trak Spraymate II Controller automatically maintains your programmed application rate

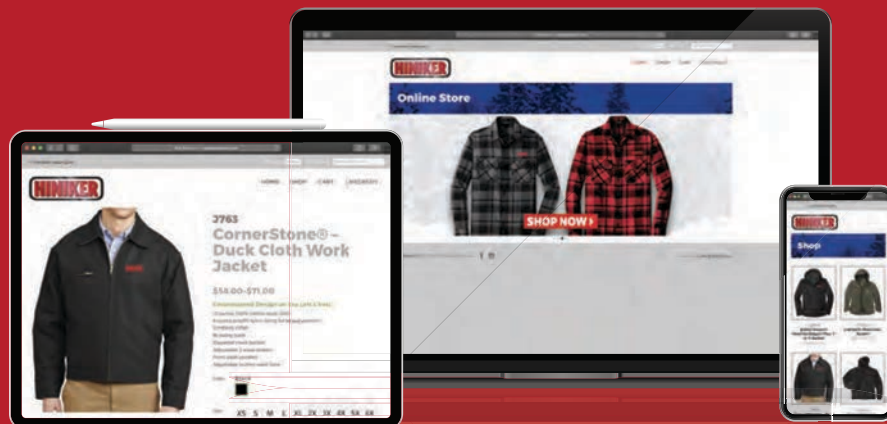
# Truck Mounted Plow Specs

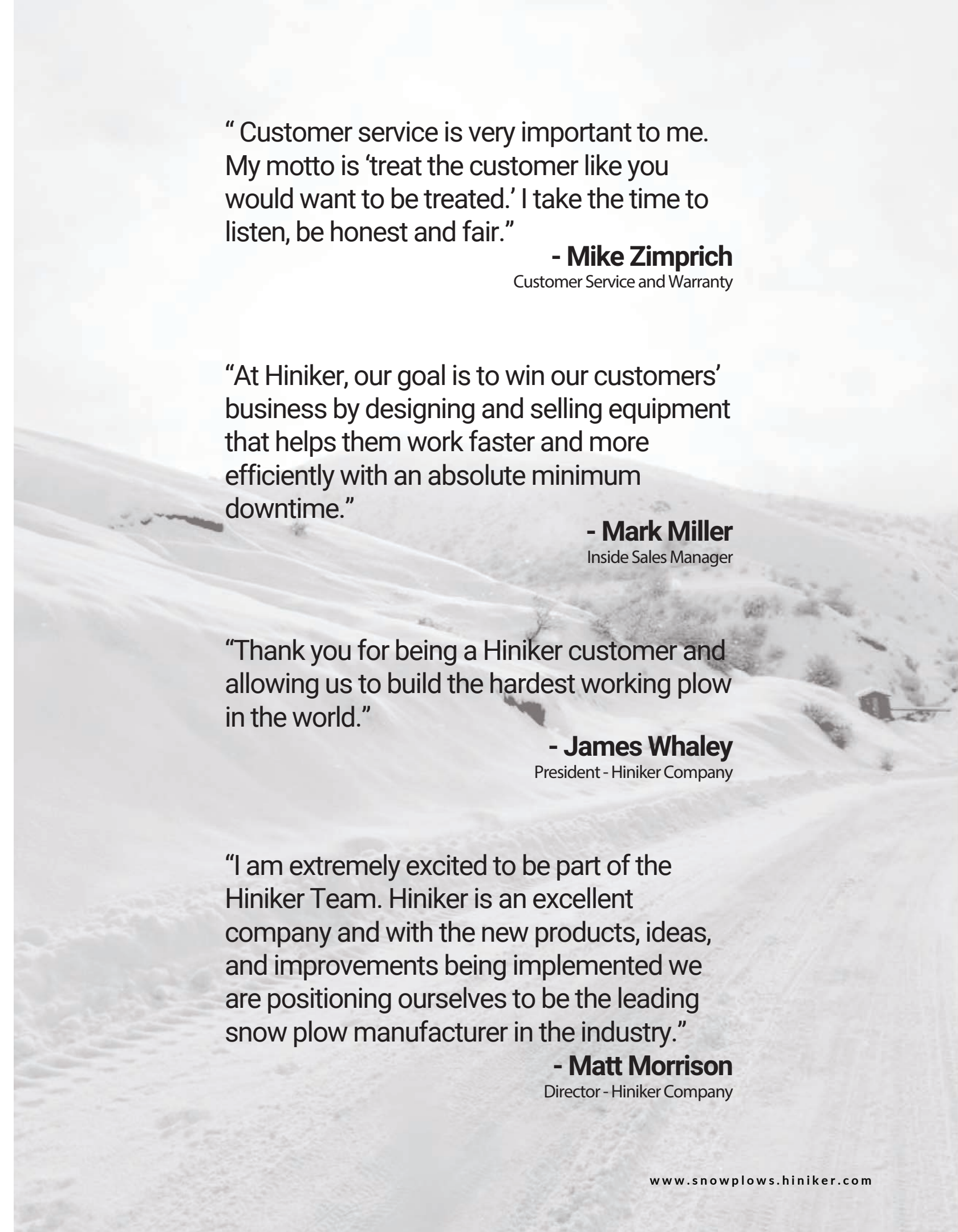


	Hiniker Plows	Model	Blade Width (ft)	Blade Height (in)	Moldboard Surface	Weight (lbs) (removable)	
High-Performance Trip-Edge	Torsion-Trip Scoop Plow	6812	8'	30"	1/4" HMW Poly	749	
		6912	9'	30"	1/4" HMW Poly	803	
	Torsion-Trip V-plow	9385	8 1/2'	30"-37"	1/4" HMW Poly	841	
		9395	9 1/2'	30"-38"	1/4" HMW Poly	887	
	C-Plow	8802	8'	30"	1/4" HMW Poly	800	
		8902	9'	30"	1/4" HMW Poly	848	
	Conventional Plow	7812	8'	30"	12 GA Stainless Steel	720	
		7912	9'	30"	12 GA Stainless Steel	777	
		7812SS	8'	30"	12 GA Stainless Steel	761	
		7912SS	9'	30"	12 GA Stainless Steel	825	
		10331	10'	32"	12 GA Stainless Steel	938	
	Full-Trip	Conventional Plow	2753	7 1/2'	30"	12 GA Stainless Steel	603
			2803	8'	30"	12 GA Stainless Steel	614
			2853	8 1/2'	30"	12 GA Stainless Steel	649
		Mid-Size Plow	702	7' (76")	26"	1/4" HMW poly	467
752			7 1/2' (82")	26"	1/4" HMW poly	474	
702SS			7' (76")	26"	19 GA Stainless Steel	494	
752SS			7 1/2' (82")	26"	19 GA Stainless Steel	508	

WE RESERVE THE RIGHT TO AMEND THESE SPECIFICATIONS AT ANY TIME WITHOUT NOTICE. THE ONLY WARRANTY APPLICABLE IS OUR STANDARD WRITTEN WARRANTY. WE MAKE NO OTHER WARRANTY, EXPRESSED OR IMPLIED.

# Visit our Online Apparel Store





“Customer service is very important to me. My motto is ‘treat the customer like you would want to be treated.’ I take the time to listen, be honest and fair.”

**- Mike Zimprich**

Customer Service and Warranty

“At Hiniker, our goal is to win our customers’ business by designing and selling equipment that helps them work faster and more efficiently with an absolute minimum downtime.”

**- Mark Miller**

Inside Sales Manager

“Thank you for being a Hiniker customer and allowing us to build the hardest working plow in the world.”

**- James Whaley**

President - Hiniker Company

“I am extremely excited to be part of the Hiniker Team. Hiniker is an excellent company and with the new products, ideas, and improvements being implemented we are positioning ourselves to be the leading snow plow manufacturer in the industry.”

**- Matt Morrison**

Director - Hiniker Company