

High performance when moving on ramps

Ergonomic workstation

Small turning radius

Corrosion protection

Energy efficient



EZS 7280NA

Electric sit-on tow tractor (61,700 lbs.)

The Jungheinrich® EZS 7280 sit-on tow tractor is ideal for the transport of heavy loads across the airport tarmac or the premises of industrial companies. Customers can choose between the standard EZS 7280NA or the EZS 7280NA XL which accommodates a larger battery compartment.

With its maximum pulling performance of 61,700 lbs. and strong torque and braking, the EZS series transports loads easily and efficiently. These tow tractors are particularly efficient when transporting heavy loads on ramps. Thanks to the automatic parking brake and the hill-start assistant, stopping and starting on ramps is done with ease.

Compact, Durable Design

Featuring a compact design and the large front wheel steering locks, even some of the most narrowest spaces can be mastered. The two 10 kW drive motors are key not only for the drive capacity, but the individually controlled drive motors also support the maneuverability of the truck, especially at low speeds.

Designed for frequent use outdoors, the EZS 7280 series has a corrosion-resistant coating on the base frame to protect the truck against some of the most extreme conditions.

Customized For Your Business

The EZS series features a wide-range of options to choose from:

- Various cab configurations are available for adverse conditions.
- Hinged or sliding door to protect the operators from the elements during their shifts.
- Automotive-style pedal configuration.
- Adjustable steering wheel position to enable operators of various sizes to drive the EZS 7280 comfortably.

Batteries with a maximum capacity of up to 930 Ah (EZS 7280NA XL) deliver longer run times between battery charges.

**JUNGHEINRICH®**

Technical data

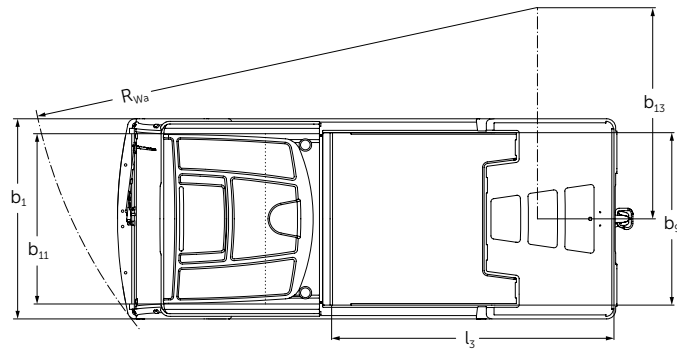
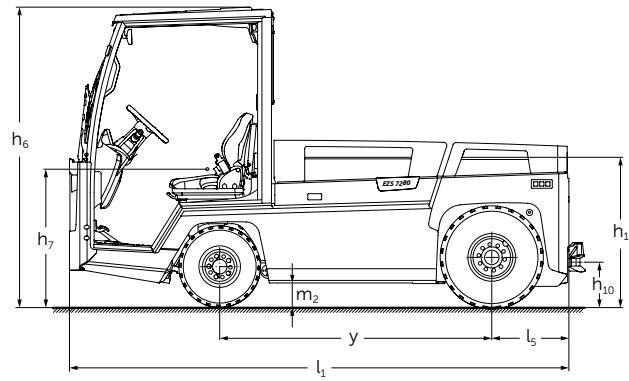
as of: 01/2019

					Jungheinrich		Jungheinrich		
					EZS 7280NA		EZS 7280NA XL		
Characteristics	1.1	Manufacturer			Jungheinrich		Jungheinrich		
	1.2	Manufacturer's type designation			EZS 7280NA		EZS 7280NA XL		
	1.3	Power type			electric		electric		
	1.4	Operator position			seated		seated		
	1.5	Load capacity / rated load	Q	lb	kg	61,700	28,000	61,700	28,000
	1.7	Rated tractive power	F	lb-force	N	1,250	5,600	1,250	5,600
Weights	1.9	Wheelbase	y	in	mm	576	1,465	69.0	1,755
	2.1.1	Service weight including minimum weight battery		lb	kg	9,000	4,088	10,500	4,796
	2.3	Axle loading, unloaded front / rear		lb	kg	4,600 / 4,400	2,100 / 1,988	5,400 / 5,200	2,446 / 2,350
Wheels, Chassis	3.1	Tire type / material			SE / pneumatic		SE / pneumatic		
	3.2	Tire size, (front)			6.00 R9		6.00 R9		
	3.3	Tire size, (rear)			7.00 R12		7.00 R12		
	3.5	Wheels, number drive / load (x=driven)		in	mm	2 / 2x		2 / 2x	
	3.6	Tread width, front		in	mm	42.0	1,070	42.0	1,070
	3.7	Tread width, rear	b ₁₁	in	mm	42.0	1,070	42.0	1,070
	Dimensions	4.7	Height of overhead guard	h ₆	in	mm	77.6	1,970	77.6
4.8		Seat height / stand height	h ₇	in	mm	34.7	880	34.7	880
4.12		Coupling height		in	mm	11.6	295	11.6	295
4.13		Loading height without load		in	mm	39.4	1,000	39.4	1,000
4.16		Loading area width		in	mm	59.0	1,500	74.0	1,880
4.17		Overhang length		in	mm	24	610	24	610
4.18		Loading area width		in	mm	42.9	1,090	42.9	1,090
4.19		Overall length	l ₁	in	mm	118.2	3,000	130.0	3,300
4.21		Overall width	b ₁	in	mm	51.2	1,300	51.2	1,300
4.32		Ground clearance, center of wheelbase	m ₂	in	mm	5.9	150	5.9	150
4.35		Minimum outside turning radius	Wa	in	mm	111.2	2,825	128.9	3,275
4.36	Internal turning radius	b ₁₃	in	mm	36.8	935	43.1	1,095	
Performance	5.1	Travel speed, loaded / unloaded		mph	km/h	7.5 / 15.5 ¹⁾	12 / 25 ¹⁾	7.5 / 15.5 ¹⁾	12 / 25 ¹⁾
	5.5	Drawbar pull with / without load		lb-force	N	1,250	5,600	1,250	5,600
	5.6	Maximum drawbar pull with / without load		lb-force	N	4,270	19,000	4,270	19,000
	5.10	Service brake			hydraulic / electric		hydraulic / electric		
Electrical	6.1	Drive motor (rating S2 60 minutes)		HP	kW	26.8	20.0	26.8	20.0
	6.4	Battery voltage / nominal capacity	k ₅	V / Ah		80 / 620	80 / 930	80 / 620	80 / 930
	6.5	Battery weight (minimum / maximum)		lb	kg	3,439	1,560	4,806	2,180
Other	8.1	Type of drive control			AC		AC		

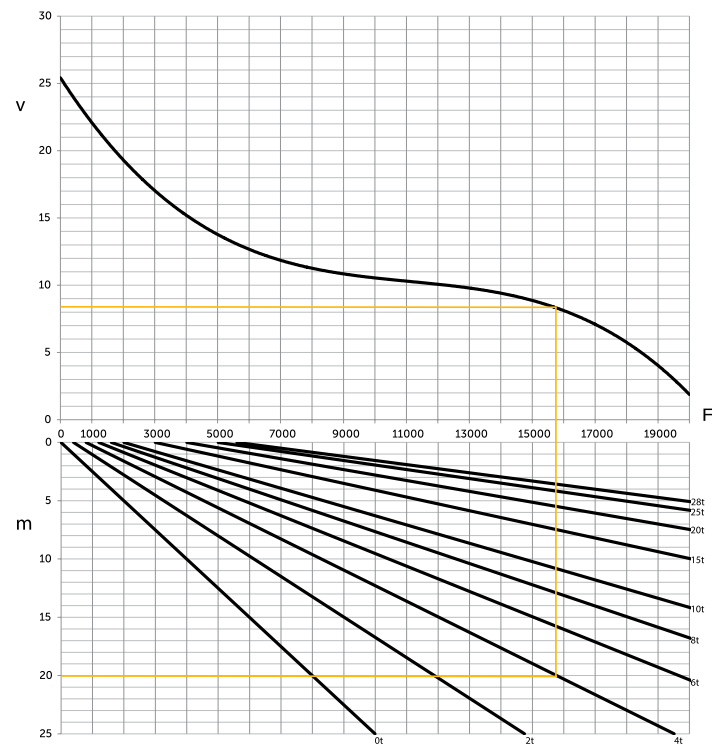
1) 8 mph with 50,000 lb. trailing load

This specification sheet only provides technical values for the standard truck. Non-standard tires, different masts, additional equipment, etc., could produce other values. Rights reserved for technical changes and improvements.

EZS 7280



Pulling ability



v =speed [km/h], m =incline [%], F =drawbar pull [N]

Example:

The EZS 7280 travels on a 20% incline with an 8,800 lb. load. The EZS is capable of 15,800 N drawbar pull and reaches 5 mph.

Note:

No continuous operation possible for EZS 7280 over 5,600 N. For gradients/descents greater than 4%. It is recommended that braked trailers be used.

The Jungheinrich Advantage



Spacious and comfortable operator compartment

Awareness and performance

Safety equipment for high drive dynamics and performance:

- Jungheinrich curveCONTROL reduces the travel speed when cornering.
- Spacious cab with excellent all-round view.
- Automatic parking brake with anti-rollback function: When the truck comes to a halt, the tow tractor and trailer are automatically secured.
- No roll-back when starting on ramps with hill-start assistant.
- Reliable starting on surfaces with anti-skid control (ASC).

Robust design for a wide range of environments

- Corrosion-resistant coating on the base frame protects the truck.
- Robust front apron and center front.
- Recessed windshield.
- Spacious operator workstation.

Batteries

The standard EZS 7280NA comes equipped to accommodate 620 Ah. For even more capacity, the EZS 7280XL accommodates 775 Ah and 930 Ah.



Touch mode makes attaching trailers easy

Ergonomic workstation

Thanks to the automotive-style configuration, the cab is especially ergonomic:

- Low entry step with level foot-well.
- Automotive-style pedal configuration.
- Easy steering wheel adjustment for different sized operators.
- Coupling is visible from the operator's seat.
- Operator-oriented storage.
- Heating ensures a pleasant interior temperature. Its optimized outlet vents prevent fogging of the windows.

Lithium-ion Package Advantages

- Fast charging with no need for battery exchanges
- Maintenance-free with no odors from gases or acidification
- Longer service life and lower maintenance compared with lead-acid batteries
- Charging can be interrupted at anytime
- 5-year battery warranty included



Front lights for increased visibility

Additional equipment

A comprehensive range of accessories allows for each unit configuration to be tailored for your specific workplace needs:

- Different coupling variants.
- LED front lights.
- Super elastic tires.
- Jungheinrich floorSPOT.
- Strobe lights and beacons.
- Protective screen for front and rear lights.
- Holder for radio data components.

Parts when you need them

Jungheinrich's Parts Fast or Parts Free Guarantee ensures next-business-day delivery by 5:00 PM of all Jungheinrich parts in the United States, or they're free, including freight. For customers in Canada and Mexico, the guarantee ensures shipping of parts within 24 hours from the time the order was placed by the dealer. See your local Jungheinrich dealer for program details.

- * Programs may be subject to change without notice and may vary by region. Please ask your local Jungheinrich dealer for complete terms and conditions.

Built in compliance with ANSI/ITSDF B56.1 design specifications for Type E industrial trucks with type EO battery.