

Runs 2 Shifts on 1 Battery Charge -
Guaranteed

Precise operation of travel and hydraulics with
enhanced multifunction control handle

New rigid mast results in excellent load
stability and capacity retention at higher
heights

Spacious operator compartment with
extensive body padding for comfort, flexibility
and functionality

Informative display panel



ETR 230 / 235 / 340 / 345 / 335d

36 Volt Electric Pantograph Reach Trucks (3,000 - 4,500 lbs.)

The ETR 230 / 235 / 340 / 345 single reach trucks and ETR 335d deep reach trucks boast strong performance – moving more pallets per hour and lowering overall cost of ownership – while keeping operators comfortable and productive.

- **High energy efficiency** – Run two shifts on one battery charge – The industry-exclusive Jungheinrich “2 Shifts, 1 Charge” program guarantees that the ETR series will run for two full shifts on one battery charge – with no interim charging, no battery changing and no additional charging equipment needed.

The key advantages:

- **Higher performance** – one of the fastest in the industry, the reach truck’s hydraulic system reaches a lifting speed of up to 165 feet per minute – helping your operators move more pallets in less time.

- **Greater productivity** – the ETR series can run up to two shifts on one battery charge, helping your operators get the most out of their workday.
- **Premium ergonomics** – operators are more relaxed and productive largely due to the ergonomic compartment that minimizes operator fatigue. From the low entry and exit step, to the intuitive, multifunctional control handle, there are several standard features that make this well-designed reach truck beneficial for the operator. Productivity can be just as high in the last hour of the shift as in the first.
- **Improved awareness** – All information is immediately accessible on the easy-to-read operator display. Operators can select from three pre-programmed drive and hydraulic performance modes,

allowing them to customize the truck for a particular application or operator skill level.

- **Heavy-duty mast** – the Jungheinrich® ETR series features an enhanced-visibility, heavy-duty mast with durable rollers and mast rails designed to meet your most demanding applications. Combined with cushioning in mast staging functions, operators can precisely and securely position loads at all lift heights.
- **Space-saving design** – these reach trucks deliver greater productivity in applications where space is at a premium, such as narrow aisles and at high lift heights. Operators can also customize the drive and hydraulic settings to suit the application and their level of experience.

**JUNGHEINRICH®**

Technical Data

Characteristics	1 Model		ETR 230		ETR 235		ETR 340		
	2 Type		Single Reach		Single Reach		Single Reach		
3	Power voltage		36		36		36		
4	Capacity at rated load center	lb	kg	3,000	1,400	3,500	1,600	4,000	1,810
5	Capacity load center – distance from fork face	in	mm	24	600	24	600	24	600
6	Maximum fork height	in	mm	242	6,145	242	6,145	242	6,145
7	Free fork height	in	mm	59	1,500	59	1,500	59	1,500
8	Fork width	in	mm	3.9	100	3.9	100	3.9	100
9	Fork thickness	in	mm	1.4	35	1.4	35	1.6	40
10	Fork spacing - out-to-out minimum	in	mm	12	305	12	305	12	305
11	Fork spacing - out-to-out maximum ¹⁾	in	mm	31.5	802	31.5	802	31.5	802
12	Tilt angle - forward / backward	deg		3° / 4°		3° / 4°		3° / 4°	
12a	Reach stroke	in	mm	24	610	24	610	24	610
13	Mast width ²⁾	in	mm	30.2	766	30.2	766	32.2	816
14	Baseleg opening	in	mm	33 - 49	839 - 1,245	33 - 49	839 - 1,245	33 - 49	839 - 1,245
15	Baseleg width ³⁾	in	mm	5.5	140	5.5	140	5.5	140
16	Overall length	in	mm	74.1	1,882	76.1	1,932	76.1	1,932
17	Length to fork face	in	mm	52	1,321	55	1,397	55	1,397
18	Overall chassis width	in	mm	41.5	1,054	41.5	1,054	41.5	1,054
19	Overall lowered height	in	mm	107	2,720	107	2,720	107	2,720
20	Overall height to top of overhead guard	in	mm	95	2,413	95	2,413	95	2,413
21	Overall height with extended mast	in	mm	290	7,370	290	7,370	290	7,370
22	Step height	in	mm	9.8	250	9.8	250	9.8	250
23	Battery roller height	in	mm	7	178	7	178	7	178
24	Minimum outside turning radius	in	mm	68.74	1,746	70.74	1,797	70.74	1,797
25	Minimum aisle - 90° stack - zero clearance	in	mm	Please consult your Jungheinrich dealer					
26	Load wheel centerline ⁴⁾	in	mm	5.3	133	5.3	133	5.3	133
27	Grade clearance ⁵⁾	%		13		13		15.5	
28	Travel speed loaded/empty – standard ⁶⁾	mph	km/h	6.8 / 7.5	11.0 / 12.1	6.8 / 7.5	11.0 / 12.1	7.5 / 7.5	12.1 / 12.1
29	Travel speed loaded / empty – high performance ⁶⁾	mph	km/h	–	–	–	–	7.5 / 8.0	12.1 / 12.9
30	Lift speed loaded / empty – standard	fpm	m/s	100 / 128	0.51 / 0.65	100 / 128	0.51 / 0.65	75 / 120	0.38 / 0.60
31	Lift speed loaded / empty – high performance	fpm	m/s	–	–	–	–	90 / 165	0.45 / 0.84
32	Lower speed loaded / empty – standard	fpm	m/s	108 / 108	0.55 / 0.55	108 / 108	0.55 / 0.55	110 / 110	0.55 / 0.55
33	Lower speed loaded / empty – high performance	fpm	m/s	–	–	–	–	110 / 110	0.55 / 0.55
34	Gradeability - loaded / empty - maximum	%		9 / 9		9 / 9		9 / 9	
35	Truck weight - empty - without battery	lb	kg	6,850	3,100	6,850	3,100	7,050	3,200
36	Battery weight - min	lb	kg	1,800	910	1,800	910	2,000	910
37	Battery weight - max	lb	kg	2,300	1,050	2,300	1,050	2,300	1,050
38	Chassis type (stand/sit)			Stand		Stand		Stand	
39	Wheelbase	in	mm	59.5	1,511	61.5	1,562	61.5	1,562
40	Ground clearance - center of wheelbase	in	mm	2.4	61	2.4	61	2.4	61
41	Ground clearance - lowest point at mast	in	mm	2.4	61	2.4	61	2.4	61
42	Tire size - steer	in	mm	13.5 x 5.5	343 x 140	13.5 x 5.5	343 x 140	13.5 x 5.5	343 x 140
43	Tire size - caster	in	mm	7 x 4	180 x 100	7 x 4	180 x 100	7 x 4	180 x 100
44	Tire size - load wheels	in	mm	5 x 3.62	127 x 92	5 x 3.62	127 x 92	5 x 3.62	127 x 92
45	Brake type			Electromagnetic Disc		Electromagnetic Disc		Electromagnetic Disc	
46	Traction / pump / steer motor type			AC Induction		AC Induction		AC Induction	
47	Traction motor output (60 minute rating) – standard	hp	kW	6.0	4.5	6.0	4.5	6.0	4.5
48	Traction motor output (60 minute rating) – high performance	hp	kW	–	–	–	–	9.2	6.9
49	Pump motor output (5 minute rating)	hp	kW	27.2	20	27.2	20	27.2	20
50	Steer motor output (60 minute rating)	hp	kW	1.0	0.7	1.0	0.7	1.0	0.7
51	Battery maximum capacity - (6 hour rating)	A/H		1,120		1,120		1,120	
52	Battery compartment length ⁷⁾	in	mm	14.25	362	16.25	413	16.25	413
53	Battery compartment width	in	mm	38.42	976	38.42	976	38.42	976
54	Battery compartment height	in	mm	31.65	804	31.65	804	31.65	804

1) Maximum fork spacing 27.5 inches (698 mm) with 33 inch BLO.

2) Out-to-out dimension across mast outer channels.

3) 5.9 inches (150 mm) on single reach trucks with MFH over 332 inches (8430 mm).

4) 7.3 inches (186 mm) on single reach trucks with mast MFH above 332 inches (8430 mm).

5) Reduce grade clearance by 1.5% with 18.25 inch (463 mm) battery compartment length or 21.25 inch (539 mm) battery compartment length vs. 16.25 inch (412 mm) length.

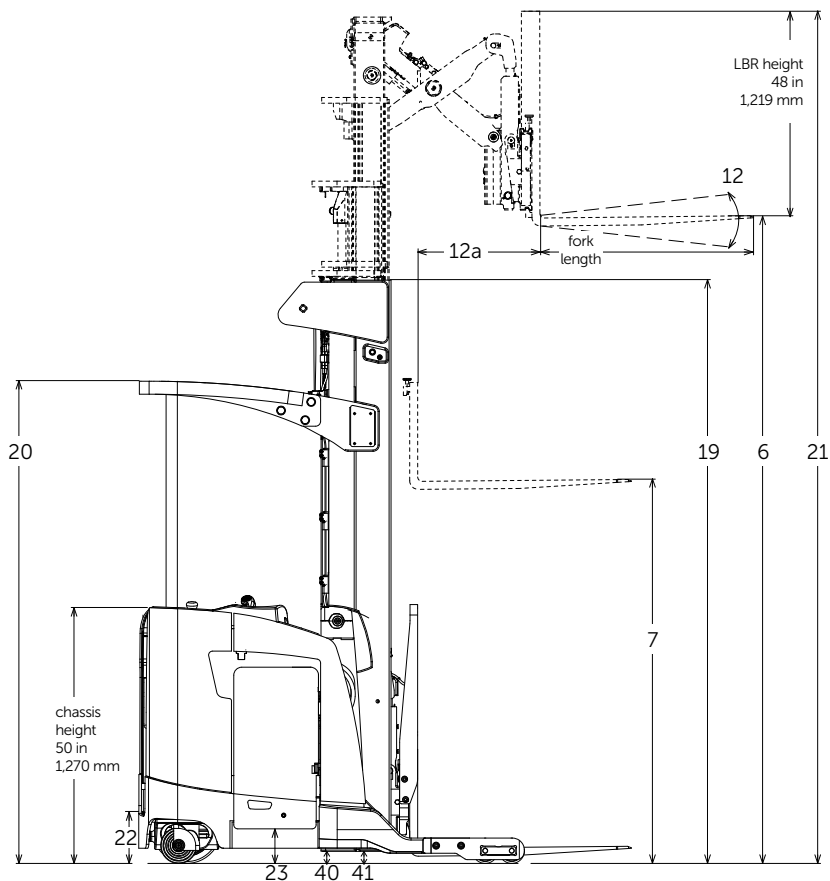
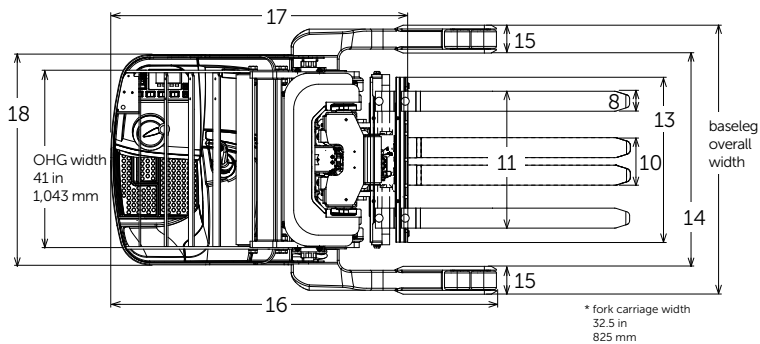
6) Maximum speed attainable, after break-in period, varies with truck travel direction, weight, rolling resistance, mast height, options and battery condition.

7) 21.25 inch (539 mm) battery compartment length standard on chassis with MFH over 332 inches (8430 mm).

as of: 03/2015

ETR 230 / 235 / 340 / 345 / 335d

	ETR 345		ETR 335d	
	Single Reach		Deep Reach	
1	36		36	
2	4,500	2,040	3,500	1,580
3	24	600	24	600
4	242	6,145	242	6,145
5	59	1,500	59	1,500
6	3.9	100	3.9	100
7	1.6	40	1.4	35
8	12	305	12	305
9	31.5	802	31.5	802
10	3° / 4°		3° / 4°	
11	24	610	42	1,067
12	32.2	816	32.2	816
13	33 - 49	839 - 1,245	33 - 49	839 - 1,245
14	5.5	140	5	127
15	76.1	1,932	78.1	1,983
16	55	1,397	62.3	1,582
17	41.5	1,054	41.5	1,054
18	107	2,720	107	2,720
19	95	2,413	95	2,413
20	290	7,370	290	7,370
21	9.8	250	9.8	250
22	7	178	7	178
23	70.74	1,797	70.74	1,797
24	Please consult your Jungheinrich dealer			
25	5.3	133	5.3	133
26	15.5		15.5	
27	7.5 / 7.5	12.1 / 12.1	7.5 / 7.5	12.1 / 12.1
28	7.5 / 8.0	12.1 / 12.9	7.5 / 8.0	12.1 / 12.9
29	75 / 120	0.38 / 0.60	75 / 120	0.38 / 0.60
30	90 / 165	0.45 / 0.84	90 / 165	0.45 / 0.84
31	110 / 110	0.55 / 0.55	110 / 110	0.55 / 0.55
32	110 / 110	0.55 / 0.55	110 / 110	0.55 / 0.55
33	9 / 9		9 / 9	
34	7,050	3,200	7,400	3,350
35	2,000	910	2,000	910
36	2,300	1,050	2,300	1,050
37	Stand		Stand	
38	61.5	1,562	61.5	1,562
39	2.4	61	2.4	61
40	2.4	61	2.4	61
41	13.5 x 5.5	343 x 140	13.5 x 5.5	343 x 140
42	7 x 4	180 x 100	7 x 4	180 x 100
43	5 x 3.62	127 x 92	5 x 3.62	127 x 92
44	Electromagnetic Disc		Electromagnetic Disc	
45	AC Induction		AC Induction	
46	6.0	4.5	6.0	4.5
47	9.2	6.9	9.2	6.9
48	27.2	20	27.2	20
49	1.0	0.7	1.0	0.7
50	1,120		1,120	
51	16.25	413	16.25	413
52	38.42	976	38.42	976
53	31.65	804	31.65	804



The Jungheinrich Advantage

Enhanced visibility, heavy-duty mast

Jungheinrich masts provide excellent visibility to high lift heights.

- The sturdy mast and narrow, angled overhead guard promote excellent visibility to the load even in high stacking applications.
- The smooth mast staging and mast cushioning improve overall material handling performance by reducing the risk of damaging loads, racks and surroundings.
- Shim-adjustable canted mast rollers.
- Heavy, interlocking mast rails.
- Optional integral sideshifter helps improve maneuverability.
- Fork heights up to 450 inches.



Overhead guard visibility

Spacious and ergonomic operator compartment

The spacious operator compartment combines comfort and functionality to improve operator efficiency.

- Location of operator controls allows for a flexible side stance position within the compartment.
- Low-effort electric power steering for precise control with minimal effort.
- Highly-informative display provides the operator with vital information to remain productive throughout the shift.
- Anti-fatigue floor mat and generous padding for knees, hips, back and armrest.
- Storage space for operator's equipment, paperwork and materials.

Multifunction control handle

The intuitive, multifunction control handle is centrally positioned for easy access to truck functions.

- Maximum efficiency through simultaneous operation of travel, lift and auxiliary hydraulic functions.
- Rounded palm rest helps reduce operator fatigue over long shifts.



Multifunction control handle

Customized programming

Performance profiling allows you to customize the reach truck's drive and hydraulic settings based on your application, individual operator experience level and personal preferences. All display-based programming, performance and information requests can be performed with easily-accessible buttons.



Operator compartment

Operator control panel

The easy-to-read display panel provides the operator with key information to complete his day-to-day tasks.

- Battery discharge indicator
- 180° / 360° steer direction indicator
- Parking brake indicator
- Clock
- Hour meter
- Performance mode selector (1-3)

Powerful Jungheinrich AC technology

3-phase AC technology for drive, lift and steering offers several advantages over traditional direct current motors.

- Rapid acceleration and precise speed control.
- Smooth directional changes.
- Greater uptime due to maintenance-free motors without carbon brushes.
- Longer operating times due to energy reclamation during braking.

Parts when you need them

Jungheinrich's Parts Fast or Parts Free Guarantee ensures next-business-day delivery by 5:00 PM of all Jungheinrich parts in the United States, or they're free, including freight. For customers in Canada and Mexico, the guarantee ensures shipping of parts within 24 hours from the time the order was placed by the dealer. See your local Jungheinrich dealer for program details.

- * Programs may be subject to change without notice and may vary by region. Please ask your local Jungheinrich dealer for complete terms and conditions.