

Electric Pneumatic Tire Lift Trucks

Capacity: 7,000-10,000 lb



EP7000-EP10000 Series

The EP7000-EP10000 Series of 80-Volt four-wheel electric pneumatic tire lift trucks provide maximum performance in a variety of applications due to advanced AC technology and operator-friendly controls. Supported by the industry's leading dealer network, these lift trucks are the ideal choice for your material handling needs.

No Emissions. With no emissions and performance similar to that of an IC truck, these lift trucks are an ideal choice for the environmentally-conscious customer.

Extended Areas Of Operation. Electric motors protected to IP54 and specially-designed options such as enclosed operator cabs allow for operation in areas outside of traditional electric lift truck applications.

Increased Productivity And Efficiency. High torque at all speed levels combined with an advanced regenerative braking system ensures a highly-productive operation. The benefit is considerably faster throughput or even a possible reduction in fleet size.

Model	7,000	7,500	8,000	8,500	9,000	9,500	10,000
EP7000	■						
EP8000	■	■					
EP9000	■	■	■				
EP10000	■	■	■	■			



Comfortable Ride

The floating cab rests on cushioning bushings and soft ride tires working with the full-suspension seat to absorb floor shocks and overall vibration. The small diameter, fully-adjustable steering wheel provides low-effort, precise steering.



Spacious operator compartment

Advanced Ergonomics

A comfortable operator is a productive operator – and the EP7000-EP10000 Series of lift trucks give your operators the tools they need to do their jobs efficiently.



In Control

The standard fingertip hydraulic controls are integrated into the armrest and offer low-effort, precise control. The travel direction switch and horn button are also integrated for simultaneous use. Joystick control is available as an option.



Optional joystick control

Premium Operator Display

The easy-to-read, steer column-mounted display includes a digital operating hour meter, battery discharge indicator with lift cut-out and maintenance/service data. In addition, five different performance modes provide considerable adjustments to the drive and hydraulic functions to meet operator requirements.



Premium display panel raises awareness

RELIABILITY

Powerful Technology

The durable 80-Volt EP7000-EP10000 Series of trucks can deliver performance similar to an IC lift truck with all the benefits of an electric truck, including elimination of emissions and reduced maintenance costs.



Efficient Performance

These trucks offer improved efficiency through the design of the AC control system and optimal energy recovery through the regenerative braking system, resulting in longer operating times on just one battery charge.

Reliable Motors

The enclosed AC electric motors are protected against chemicals, dust and water—earning an IP54 rating. These extremely quiet motors provide precise performance at all power levels.



Advanced AC technology



Optimized Visibility

Narrow mast channels, standard forward work lights and open overhead guards help improve operator visibility to the load and increase awareness to their surroundings during operation.

Options For Applications

Options such as enclosed operator cabs, cold storage modification, attachments and specialty tires can customize the truck for your specific application needs, extending equipment service life and minimizing product damage.

Effortless Maintenance

With extended service intervals, display-based indicators and reminders and easy access to service components, you can count on maximizing uptime and lowering maintenance costs with your Cat® lift truck.



Increased visibility



Options for tough applications



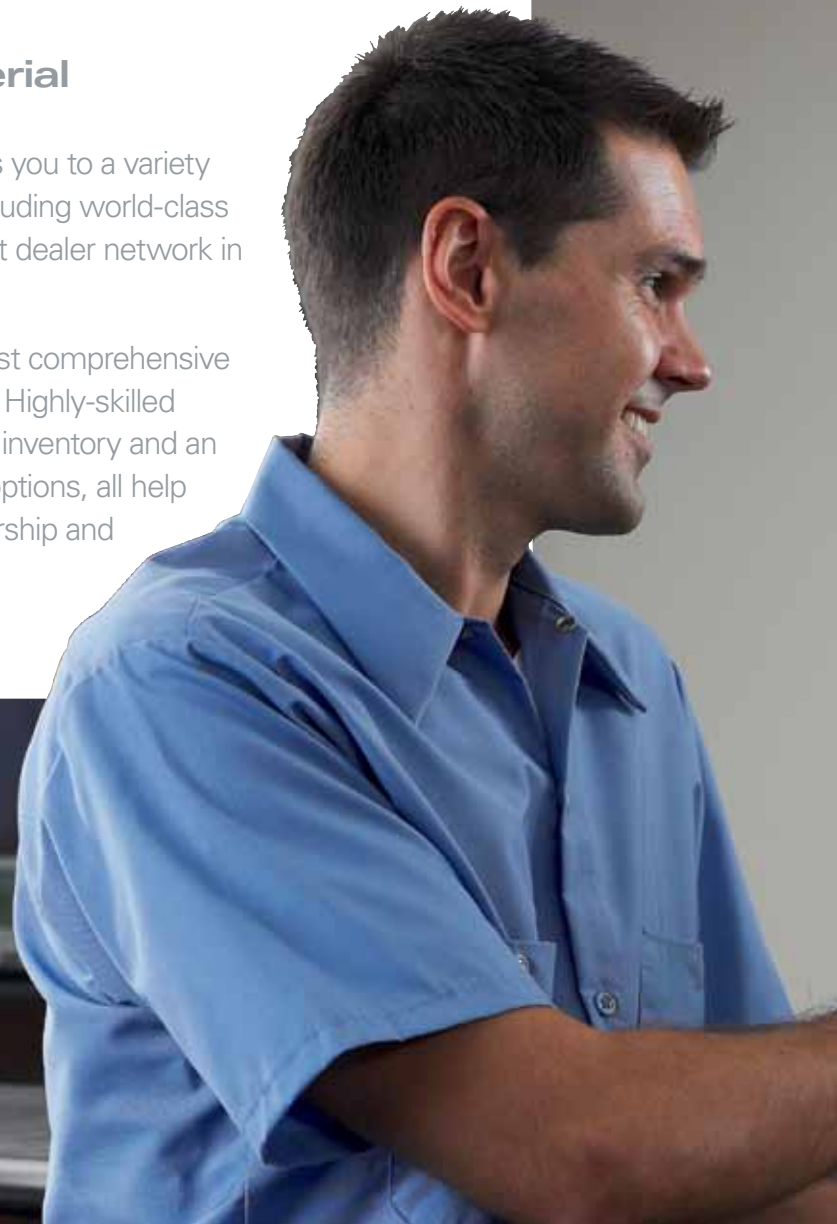
Service time is minimized

CUSTOMER SERVICE

Delivering Real Material Handling Solutions

A Cat lift truck purchase connects you to a variety of material handling solutions, including world-class service and support from the best dealer network in the industry.

Cat Lift Trucks also offers the most comprehensive support programs in the industry. Highly-skilled service technicians, diverse parts inventory and an outstanding selection of service options, all help to reduce your total cost of ownership and keep your lift trucks performing at their best.



Dealers You Can Depend On

With hundreds of dealer locations throughout North and South America, Cat lift truck dealers provide more than lift trucks. From flexible financing options, to parts, service and product support, our dealers are unsurpassed.



Professionals you can depend on

Standing Behind Our Products

We deliver peace of mind by helping your trucks stay on the job, day after day. Every new Cat lift truck is covered by a 1-year/2,000 hours warranty that includes parts and labor, as well as components and systems. With our standard 2-year/4,000 hours extended powertrain warranty, you'll have the confidence that only comes from owning a Cat lift truck.



Keeping you covered



Parts Fast Or Parts Free*

The Parts Fast Or Parts Free Guarantee ensures next-business-day delivery of all Cat lift truck parts, or they're free, including freight. If your part doesn't come in by the next business day, we pay for it.

Genuine OEM Parts

When you buy from your local dealer, you can be assured that your OEM part is manufactured to meet original equipment criteria. Additionally, all Cat lift truck OEM parts come with a six-month, unlimited-hours warranty.

Flexible Financing Options*

Financing your next Cat lift truck is easy with our wide range of flexible leasing and purchasing options. Whether you want to finance or lease, your local Cat lift truck dealer can help customize a package tailored to your specific needs.



Parts when you need them



Genuine Cat Lift Truck OEM parts



Custom financing packages

* Programs may be subject to change without notice and may vary by region. Please ask your local Cat lift truck dealer for complete terms and conditions.

Specifications

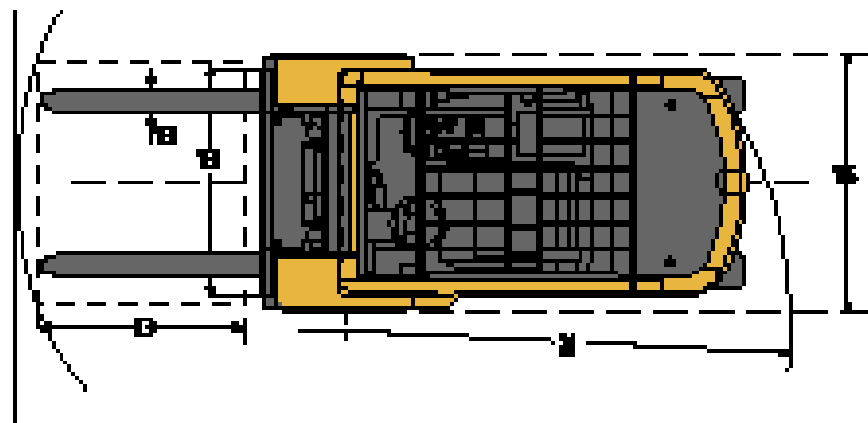
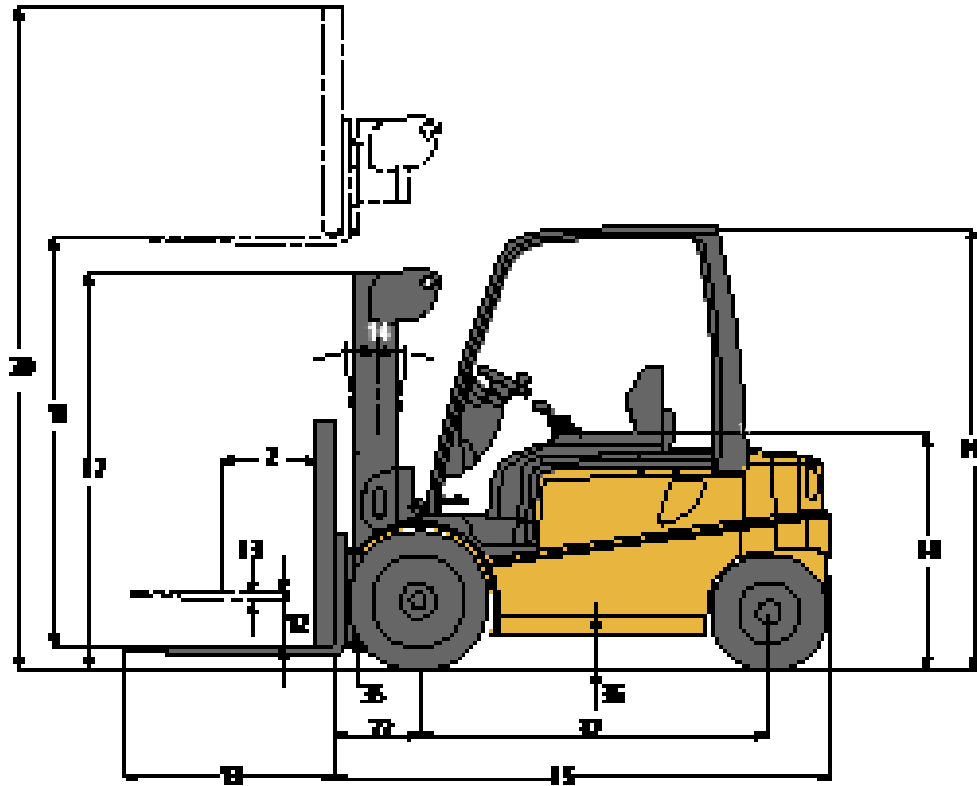
Characteristics						EP7000		
1	Capacity	at rated load center	lb	kg	6,940	3,500		
2		at load center -- distance	in	mm	24	500		
3	Power	diesel, gasoline, LP gas, electric				electric		
4	Tire type	cushion, solid pneumatic				solid pneumatic		
5	Wheels (x=driven)	number front / rear				2x / 2		
Dimensions						EP7000		
11	Lift with standard two-stage mast	maximum fork height	in	mm	122	3,100		
12		free fork height	in	mm	5.9	150		
13	Forks	thickness x length x width	in	mm	1.8x4.9x45.3	45x125x1,150		
	Fork spacing	out-to-out minimum / maximum	in	mm	13.75 / 40.5	349 / 1,028		
14	Tilt	forward / backward	deg		6 / 8			
15	Overall dimensions	length to fork face	in	mm	105.7	2,685		
16		width	standard	in	mm	52.8	1,340	
			wide stance drive wheels	in	mm	not available		
17		height	lowered mast	in	mm	87.7	2,228	
18			seat height to SIP	in	mm	45.9	1,165	
19			to top of overhead guard	in	mm	91.3	2,320	
20	extended mast		in	mm	170	4,320		
21	Minimum outside turning radius		in	mm	90.6	2,300		
22	Load moment constant		in	mm	18.9	480		
23	Minimum aisle - 90° stack – zero clearance without load		in	mm	109.5	2,780		
Performance						EP7000		
24	Speeds	travel speed	loaded	mph	km/h	9.9	16	
			empty	mph	km/h	10.6	17	
25		lift speed	loaded	fpm	m/s	74.8	0.38	
			empty	fpm	m/s	98.4	0.50	
26		lowering speed	loaded	fpm	m/s	114.2	0.58	
			empty	fpm	m/s	108.3	0.55	
27	Drawbar pull (max.)	60 min. rating	loaded / empty	lb-f	N	263 / 288	1,169 / 1,281	
		5 min. rating	loaded / empty	lb-f	N	743 / 753	3,305 / 3,350	
28	Gradeability	maximum grade-ability	loaded	%		15.5		
			empty	%		25.0		
Weight						EP7000		
29	Empty	with minimum weight battery		lb	kg	12,582	5,707	
30	Axle load	with rated load	front	lb	kg	17,528	8,267	
			rear	lb	kg	1,994	940	
		without load	front	lb	kg	6,508	2,952	
			rear	lb	kg	6,074	2,755	
Chassis						EP7000		
31	Tire size	front, standard solid pneumatic tires		in		250 - 15		
		rear solid pneumatic tires		in		21 x 8 - 9		
32	Wheelbase			in	mm	73.0	1,855	
33	Tread width	front, standard solid pneumatic tires		in	mm	44.1	1,120	
34		rear solid pneumatic tires		in	mm	37.4	950	
35	Ground clearance	at lowest point at mast		in	mm	4.7	120.0	
36		at center of wheelbase		in	mm	6.3	160.0	
37	Brakes	service		type		hydraulic		
38		parking		type		hydraulic		
Powertrain						EP7000		
39	Battery	dimensions (length x width x height)			33.66 x 40.47 x 30.87			
41		maximum capacity at 6 hour discharge rate		Ah	kWh	700	54.4	
42		weight, minimum / maximum		lb	kg	3,902 / 4,436	1,770 / 2,012	
43	Motors	traction output (60 minute rating)		HP	kW	24.1	18.0	
44		lift output (15% rating)		HP	kW	31.5	23.5	
45	Controls	drive		type		AC		
46		hydraulic		type		AC		
47	Flow rate for attachments			gpm		7.9		
48	Relief pressure	for attachments at auxiliary		psi	bar	2,900	200	
49	Noise level	mean value at operator's ear		dB(A)		75		

NOTE: Dimensions represent maximum battery size, not compartment size. These specifications assume the use of drive axles, tires and tilt angles specified. Any modification to specifications, or any other combination of specifications made after the shipment of the truck, requires prior written approval from Mitsubishi Caterpillar Forklift America Inc. (MCFA). (See ANSI/ITSDF B56.1.) Also be advised that overall operating visibility may be affected by the mast configuration and mast options of your forklift truck. Therefore, you may need to add ancillary [auxiliary] devices or modify your operating practices. Consult your dealer for further information.

EP8000		EP9000		EP10000	
7,955	4,000	8,950	4,500	9,924	5,000
24	500	24	500	24	500
electric		electric		electric	
solid pneumatic		solid pneumatic		solid pneumatic	
2x / 2		2x / 2		2x / 2	
EP8000		EP9000		EP10000	
118	3,000	118	3,000	118	3,000
5.9	150	5.9	150	5.9	150
2x4.9x45.3	50x125x1,150	2x5.9x45.3	50x150x1,150	2x5.9x45.3	50x150x1,150
13.75 / 46.5	349 / 1,181	15.75 / 46.5	400 / 1,181	16.5 / 46.5	419 / 1,181
6 / 8		6 / 8		6 / 8	
111.4	2,830	111.4	2,830	111.4	2,830
52.8	1,340	52.8	1,340	57.1	1,450
not available		not available		not available	
94.7	2,405	94.7	2,405	94.7	2,405
45.9	1,165	45.9	1,165	45.9	1,165
91.3	2,320	91.3	2,320	91.3	2,320
166	4,220	166	4,220	166	4,220
96.5	2,450	96.5	2,450	96.5	2,450
20.1	510	20.1	510	20.1	510
116.6	2,960	116.6	2,960	116.6	2,960
EP8000		EP9000		EP10000	
9.3	15	9.3	15	9.3	15
10.6	17	10.3	16.5	9.9	16
68.9	0.35	65.0	0.33	61.0	0.31
92.5	0.47	88.6	0.45	88.6	0.45
108.3	0.55	108.3	0.55	108.3	0.55
98.4	0.50	98.4	0.50	98.4	0.50
258 / 283	1,147 / 1,259	248 / 278	1,102 / 1,236	253 / 293	1,124 / 1,304
738 / 753	3,282 / 3,350	733 / 748	3,260 / 3,327	763 / 783	3,395 / 3,485
14.0		12.5		12.0	
23.5		21.5		21.0	
EP8000		EP9000		EP10000	
14,321	6,496	15,092	6,846	15,864	7,196
20,385	9,605	21,837	10,305	23,482	11,105
1,891	891	2,205	1,040	2,306	1,091
8,029	3,642	8,035	3,644	8,040	3,647
6,292	2,854	7,057	3,201	7,824	3,549
EP8000		EP9000		EP10000	
250 - 15		250 - 15		28 x 12.5 - 15	
21 x 8 - 9		21 x 8 - 9		21 x 8 - 9	
78.7	2,000	78.7	2,000	78.7	2,000
44.1	1,120	44.1	1,120	45.3	1,150
37.4	950	37.4	950	37.4	950
4.7	120.0	4.7	120.0	4.7	120.0
6.3	160.0	6.3	160.0	6.3	160.0
hydraulic		hydraulic		hydraulic	
hydraulic		hydraulic		hydraulic	
EP8000		EP9000		EP10000	
39.33 x 40.47 x 30.87		39.33 x 40.47 x 30.87		39.33 x 40.47 x 30.87	
840	65.2	840	65.2	840	65.2
4,562 / 5,186	2,069 / 2,352	4,562 / 5,186	2,069 / 2,352	4,562 / 5,186	2,069 / 2,352
24.1	18.0	24.1	18.0	24.1	18.0
31.5	23.5	31.5	23.5	31.5	23.5
AC		AC		AC	
AC		AC		AC	
7.9		7.9		7.9	
2,900	200	2,900	200	2,900	200
75		75		75	

Call-out numbers shown in diagram correspond to the first column of the specifications chart.

EP7000-EP10000



Safety Standards

These trucks meet American National Standards Institute/ Industrial Truck Standards Development Foundation, ANSI/ITSDF B56.1. Users should be aware of, and adhere to, applicable codes and regulations regarding operator training, use, operation and maintenance of powered industrial trucks, including:

- ANSI/ITSDF B56.1.
- NFPA 505, fire safety standard for powered industrial trucks - type designations, areas of use, maintenance, and operation.
- Occupational Safety and Health Administration (OSHA) regulations that may apply.

Specifications, equipment, technical data, photos and illustrations based on information at time of printing and subject to change without notice. Some products may be shown with optional equipment.

ADDITIONAL OPTIONS

Enhance Your Experience

The EP7000-EP10000 Series lift trucks provide a number of options for you to choose from based on your application needs.



Enclosed Operator Cab

Provides operators with weather protection and a comfortable working environment in outdoor or cold storage conditions.

Light Packages

Customize the truck based on the workplace lighting conditions and the tasks being performed.

Cold Storage Modification

Equip the lift truck with special fluids and heaters needed to perform in cold storage environments.

Non-marking Solid Pneumatic Tires

A perfect choice for food or clean room environments or any application where tire marks on the floor are a concern.



Travel Speed Reduction

Limit the top travel speed based on the workplace preferences and relevant regulatory guidelines.



Quality

Reliability

Customer Service

Experienced professionals at your local dealership and on our National Accounts Team can assist you with your lift truck purchase or lease. Your Cat lift truck dealer can provide options and additional visual and audible warning devices geared toward your specific requirements. Operator training programs are also available to boost productivity and to help reduce the potential for product damage and personal injury.



Electric Pneumatic Tire Lift Trucks

Capacity: 7,000-10,000 lb

1-800-CAT-LIFT | www.cat-lift.com | m.cat-lift.com

Copyright © 2013. All rights reserved. CAT, CATERPILLAR, their respective logos, "Caterpillar Yellow" and the "Power Edge" trade dress, as well as corporate and product identity used herein, are trademarks of Caterpillar and may not be used without permission. All registered trademarks are the property of their respective owners. Some products may be shown with optional equipment. Printed in U.S.A.