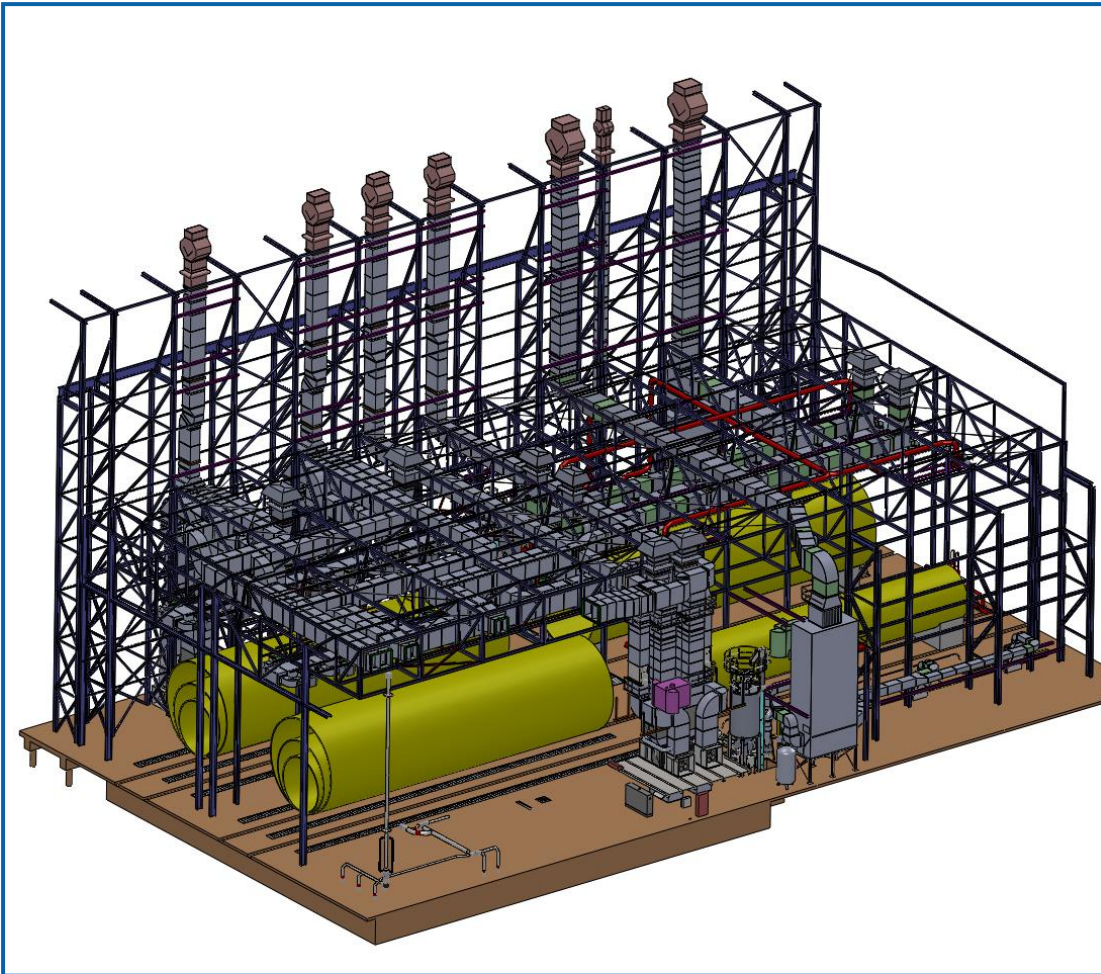


Blastrooms and open-space paint spraying systems



Industry sector:
Wind energy sector

Work piece:
Monopiles

Year of construction:
2014

Technical data:

- 2 Blastrooms 38.2 x 16.4 x 15.3 m
- 2 Open-space paint spraying systems with long-range nozzles 38 x 16.5 x 15 m

Special features:

- Blastrooms with cross conveyor belt with storage hopper, suction device for zinc spraying, 75 kW media recovery system and heating unit with gas surface burner
- Open-space paint spraying systems with heat recovery systems by plate heat exchanger, lowerable work piece inside ventilation device, outgoing exhaust air flow via exhaust air cleaning unit and two paint storage room equipment

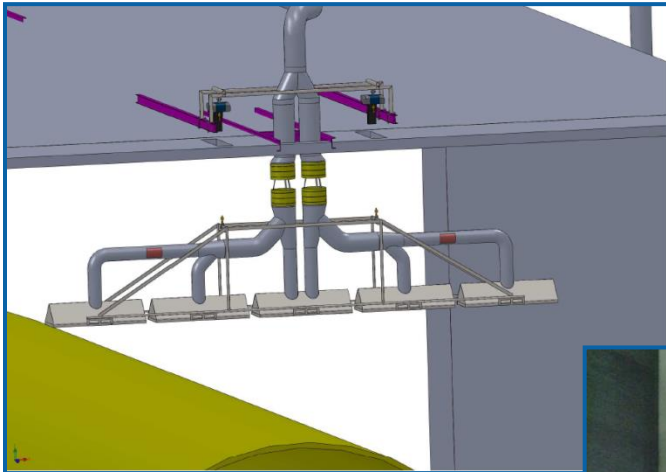
Blastroom with media recovery system and zinc spraying equipment



Media silo

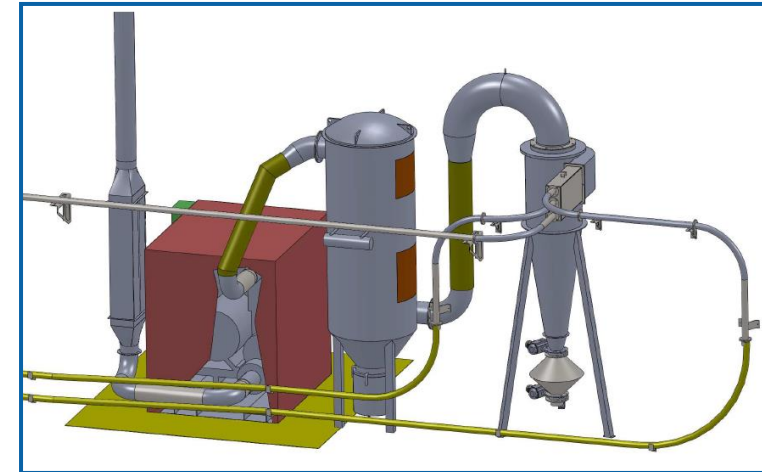
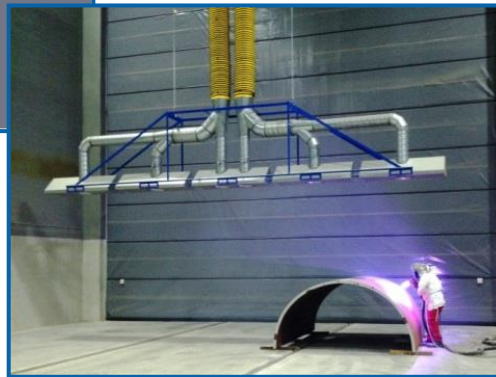
- Media transport and reclamation unit
- Suction power of 80,000 m³/h
- Media silo of 20,000 l
- 4 Pressure blast pots with 300 l each
- Floor completely covered with gratings for a wheel load of 5,000 daN on 200 x 500 mm
- Media reclamation unit with rotary drum
- Wind sifting unit

Blastroom with media recovery system and zinc spraying equipment



Zinc spraying suction unit

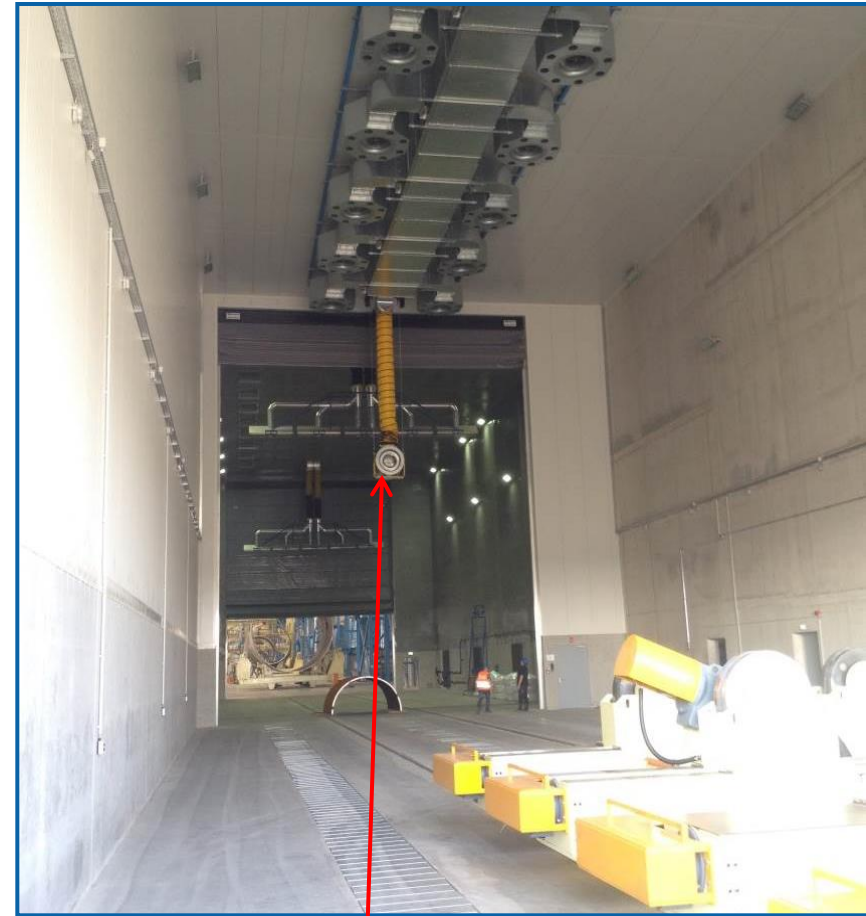
- Suction unit for zinc spraying
- Suction power of 10,000 m³/h each
- incl. CO² extinguishing device
- incl. lime stone powder feed
- vertically lowerable suction nozzles
- Compressed air operated nozzle for inside ventilation



Media recovery system

- Drive power of 75 kW
- 3 Suction hoses Ø 63 mm
- Blast media is returned into the automatic media transport system

Open-space paint spraying systems



Lowerable work piece inside ventilation device