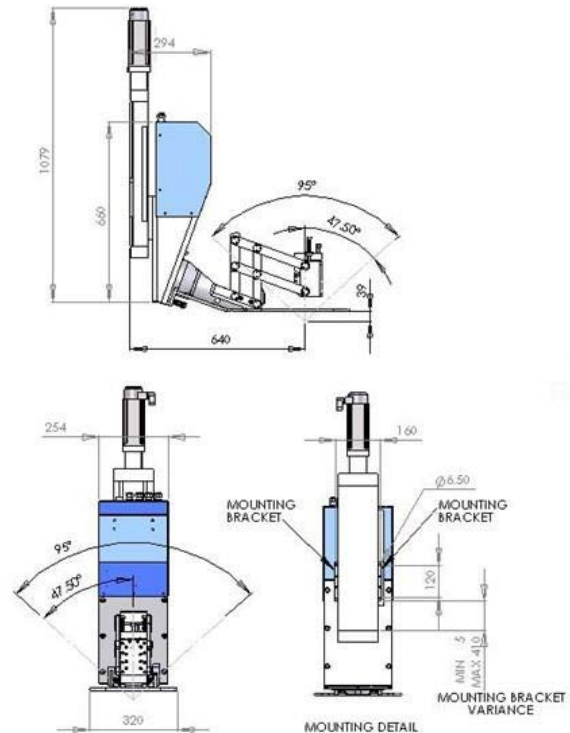


The PCS Plasma Bevel Head is designed and manufactured by Profile Cutting Systems (PCS) This **PATENTED** and revolutionary design has taken the metalworking industry by storm! Unlike other cumbersome, rotary type bevel heads, the PCS Bevel Head is compact, lightweight and **FAST**. It sets a new standard in Plasma Beveling Technology. It is fully programmable to cut parts with bevel and straight cuts. This multitasking method will eliminate double handling of material and parts, which in turn will save your business time and money!

## KEY BENEFITS:

- \* Unique, Innovative design. Lightweight, Fast and Precise!
- \* **ZERO OFFSET**. No need for cutting machine to offset X, Y axis to achieve angles!
- \* No twisting/working of torch leads and cables!
- \* Top Quality parts and workmanship!
- \* Can be retrofitted onto existing equipment (Burny 10 LCD+ CNC Preferred)

# TECHNICAL DETAILS:



## KEY BENEFITS EXPLAINED:

- ⚙️ Lightweight, Fast and Precise!**  
 Unlike other bulkier and cumbersome designs currently available, the PCS Bevel Head is extremely compact and lightweight (~50kg). This allows super-fast acceleration and top speed (up to 90 degrees/sec) and allows the head to achieve any angle (+/- 47 degrees) rapidly and precisely which in turn results in greater productivity and less plate wastage. As a result of its innovative yet simple design, the PCS Bevel Head also allows easy setup and adjustment of the focal point.
- ⚙️ Zero Offset!**  
 The PCS Bevel Head is a truly ZERO OFFSET design. This means that it can achieve all of its angles without any offset movement from the cutting machines X, Y, Z axis. Other designs currently available rely on offset movements from the cutting machines X, Y, Z axis for the bevel head to achieve its angles. This often results in slower, less repeatable motion. With the PCS Bevel Head the machine remains completely stationary while the PCS Bevel Head achieves its angles.
- ⚙️ No twisting/working of cables and hoses!**  
 The PCS Bevel Head is extremely gentle on the torch leads and cables. This is because there is NO ROTATION involved. The torch TILTS rather than rotates to achieve its angles. Other designs currently available rely on the torch rotating within a bearing mount, which is prone to failure and destruction of torch leads and cables. This is not the case with the PCS Bevel Head and amounts to lower maintenance costs and lesser downtime.
- ⚙️ Top Quality Parts and Workmanship**  
 The PCS Bevel Head is a precision device and as such utilises high quality components and is built to an extremely high standard by Profile Cutting Systems Australia. With several units in operation world-wide, PCS stand by their product offering first class service, support and spare parts.

## ORDERING INFO:

PART NO.	DESC.	PRICE
BHP00160	Premium Spec PCS Plasma Bevel Head assy. Inc. gearboxes and Z axis Lifter*	
BHP00260	Standard Spec PCS Plasma Bevel Head assy. Inc. gearboxes and Z axis Lifter **	

\* Premium Spec model has machined billet Stainless Steel main body and linkages. Precision gearboxes (<9 arc min backlash) and Bosch Rexroth CKK20 series Z axis Lifter (300mm stroke). \*\* Standard Spec model has machined billet Aluminium main body and linkages. Standard gearboxes (<12 arc min backlash) and Hiwin Z axis Lifter (300mm stroke).