

## PA-25

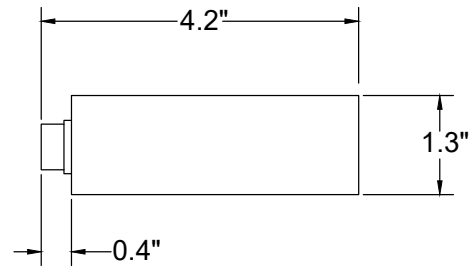
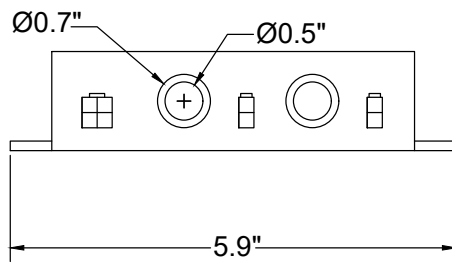
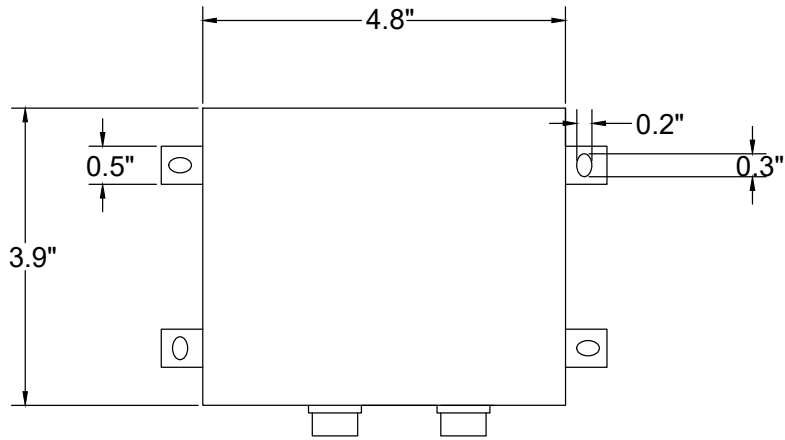
## Data Sheet



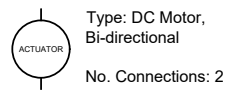
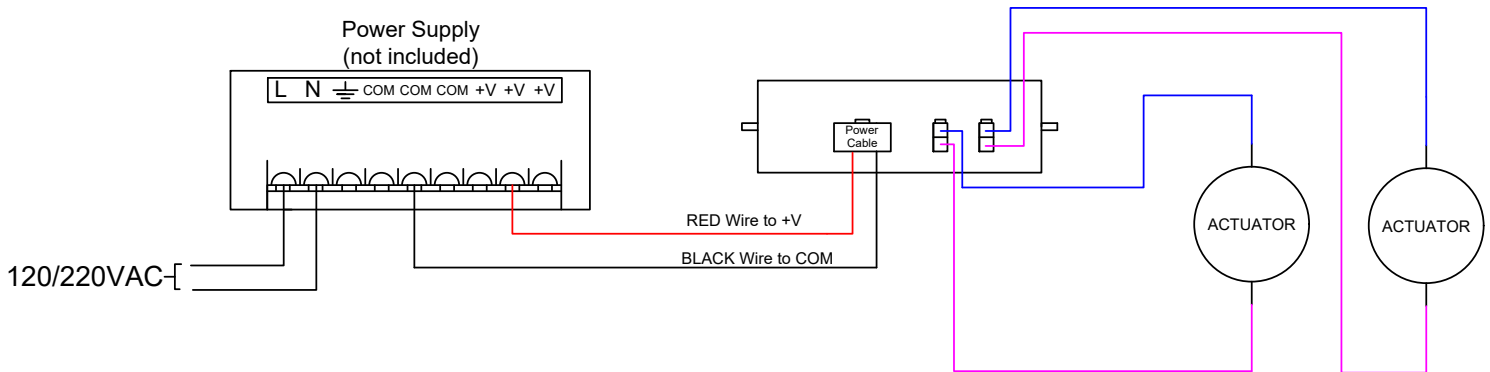
<b>Control Ability</b>	Multiple Actuators
<b>Input Voltage</b>	12VDC
<b>Output Power</b>	12VDC
<b>Current</b>	15A (Each Channel)
<b>Kit Includes</b>	2 Hand Remotes, 2 Actuator Wire Harnesses, 1 Power wire Harness, 1 Control Box, Batteries
<b>Remote Functions</b>	Up, Down, Pause (Momentary & Non-Momentary)
<b>Remote Battery Type</b>	2x CR2016 3V Lithium Cell
<b>Size (L x H x W)</b>	5.9" x 1.3" x 3.9"
<b>Weight</b>	1.10 lbs
<b>Warranty</b>	18 Months



# Dimensions



# Wiring Diagram





# Momentary/Non-Momentary Mode

## Momentary Mode

- Ensure the Jumper S1 on the PCB is connected
- Hold UP to extend the actuator, let go to stop the actuator
- Hold DOWN to retract the actuator, let go to stop the actuator

## Non-Momentary Mode

- Ensure the Jumpers S1 on the PCB is disconnected
- Press UP to extend the actuator, Press UP again to stop the actuator
- Press DOWN to retract the actuator, Press DOWN again to stop the actuator
- If DOWN is pressed while the actuator is extending, it will reverse direction and begin to retract



# Remote Synchronization Process

- Open the control box and press the white button. the blue LED will turn on
- Press any button on the remote and the LED will turn off
- The remote is now saved to the control box
- A maximum of two remotes can be saved to one control box