

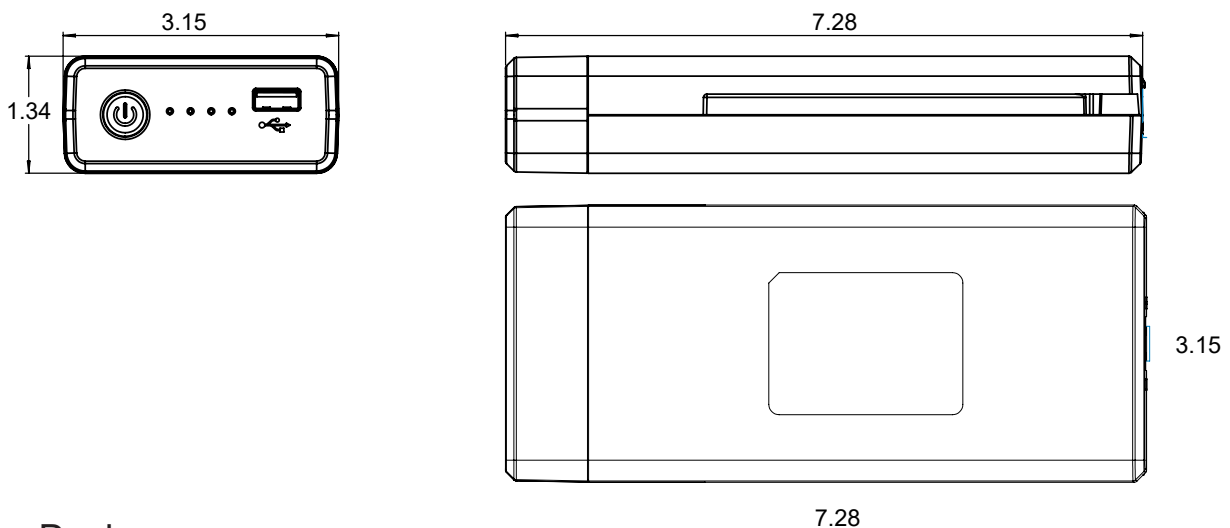


Input Voltage	110 - 240VAC (Power Cable Included)
Input Current	0.5 A
Output Voltage	24 VDC
Output Current	8 A
Capacity	2.2 Ah / 53 Wh
Standby Power	<0.1W
Features	USB Charging Port, Overcharge Protection, Overdischarge Protection, Overcurrent Protection, Short Circuit Protection, Battery Life Indicator
Duty Cycle	10% (2 min on, 18min off)
Weather Protection	IP54
Operating Temperature	5° to 40°
Cable Length	59"
Housing Color	Black
Certifications	IEC 62133, TUV, cUL, UN38.3
Unit Weight	2.70 lbs

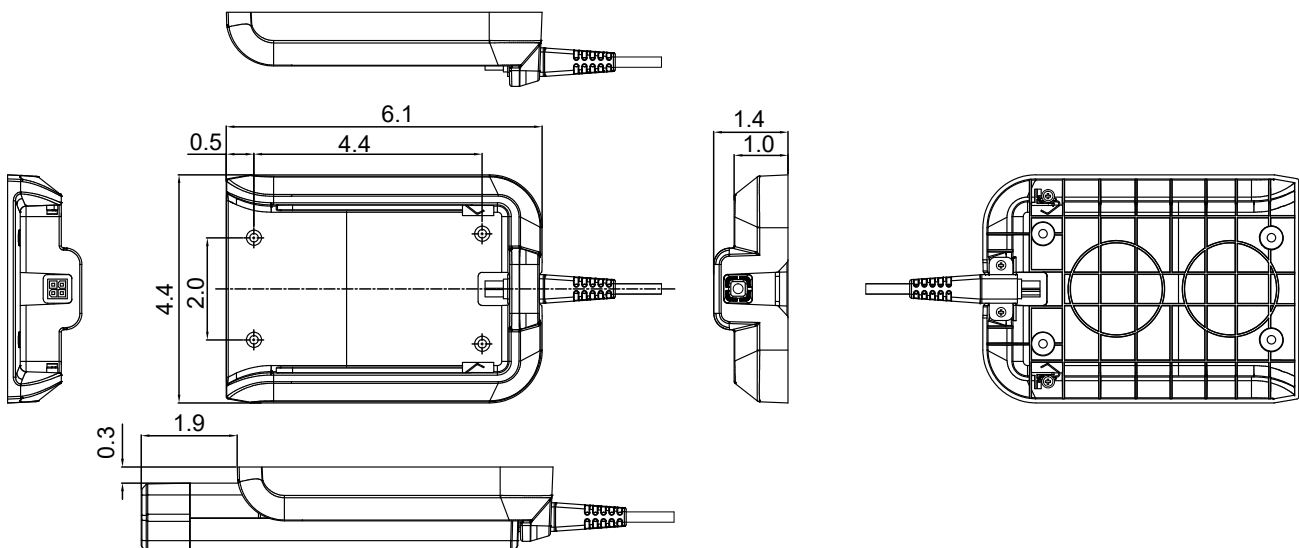
- Do not use this battery in applications that will draw more than 8A of current. Doing so will lower the voltage output of the battery and may cause damage.
- Only use the included AC adapter for charging the battery.
- Do not open or puncture the battery. Do not use the battery if there is any indication of damage.
- Only store and use the battery in temperatures between 0°C and 40°C. Failure to do so may result in damage to the battery.

Dimensions

Battery



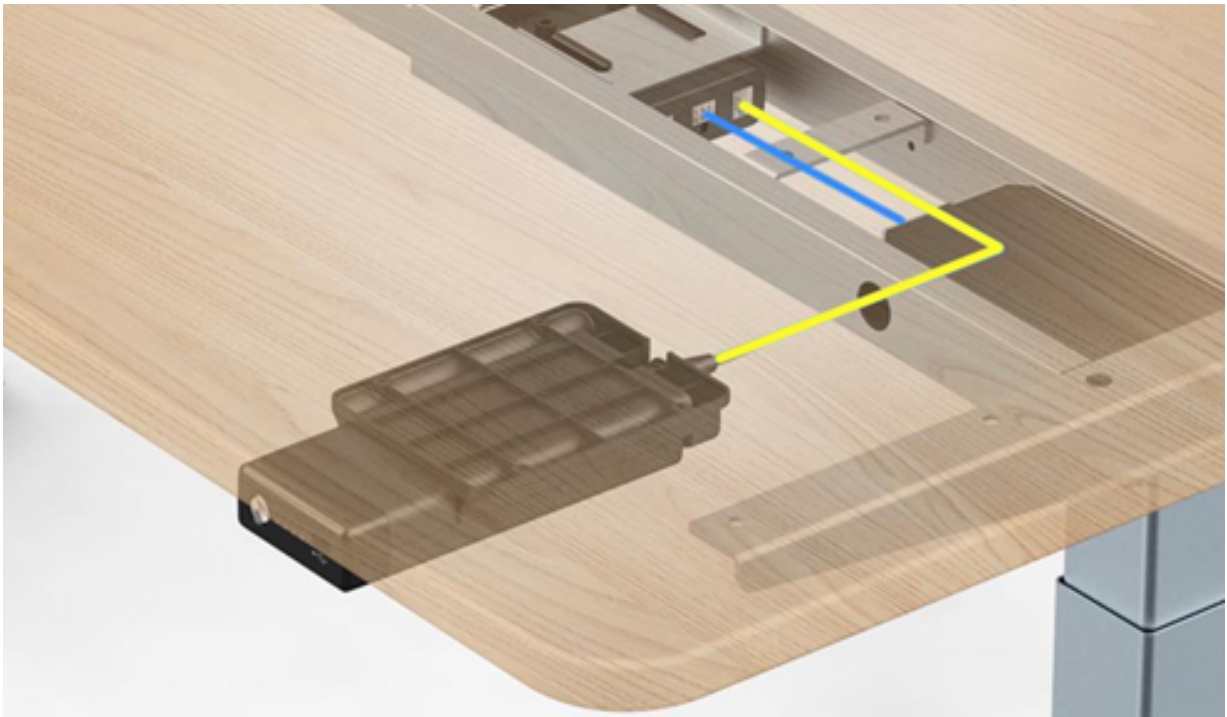
Battery Dock



Instructions for Battery and Dock Installation

Note: Battery must be fully charged prior to first use.

1. Insert the battery into the dock. Determine the desired placement of the dock on the underside of the tabletop.
2. Remove the battery from the dock and attach the battery dock to the underside of the tabletop using the included hardware.
3. Connect the dock wiring to the control box.



Instructions for Battery Power Button

A short press of the power button will illuminate up to 4 of the indicator lights depending on the charge level of the battery. 4 lights indicate a full charge. The lights will turn off 10 seconds after the button is released.

Instructions for Charging the Battery

1. Remove the battery from the dock
2. Plug the AC charger into the battery
3. Keep AC charger connected until all 4 lights are illuminated for a full charge.