

Have any queries?
Our expert engineers are here to help!



Progressivedesk.com



1-800-828-9414



sales@progressivedesk.com

DM-01-0

Installation Manual

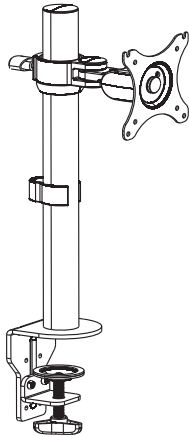
VESA
75x75
100x100

10" - 30"

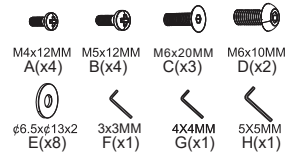
max
22 lb

-85 ~ 15

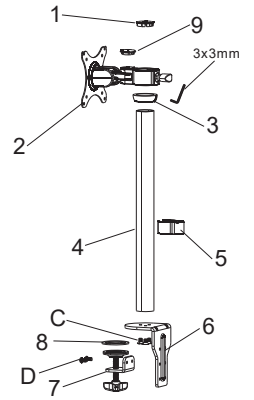
0.80 - 4"



Parts List



1. Tube Cover (x1)
2. Monitor Plate (x1)
3. Lock Collar (x1)
4. Tube (x1)
5. Cable Cover (x1)
6. Bottom Support (x1)
7. Knob (x1)
8. Anti-Slip Rubber (x1)
9. Joint Cover (x1)

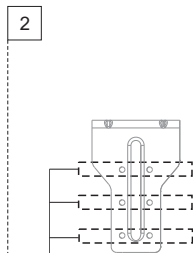
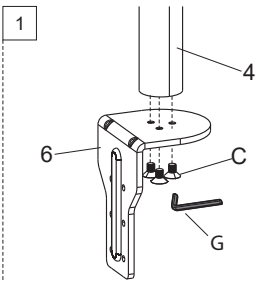


Tools Needed

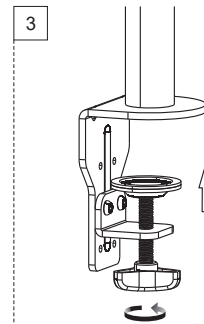
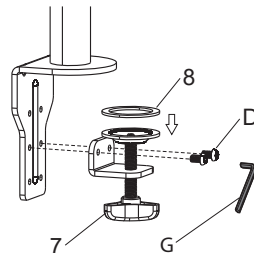


STEP 1

Fitting the Bottom Support (6) onto the desktop



Select the appropriate mounting holes according to the thickness of your tabletop



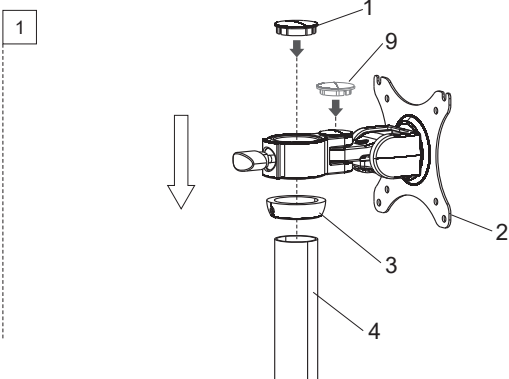
Tighten

Compatible with 0.80" to 4.00" thick tabletops

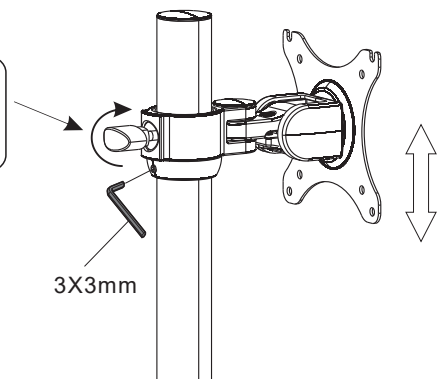


STEP 2

Installing Monitor Plate (2) to Tube (4)

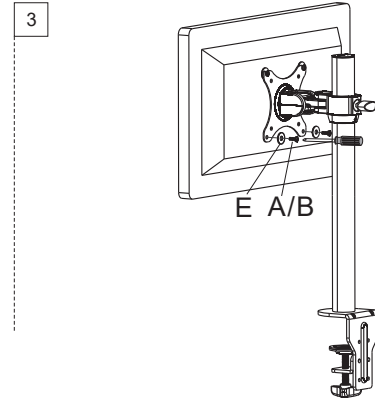
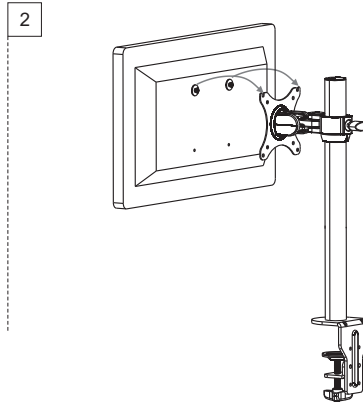
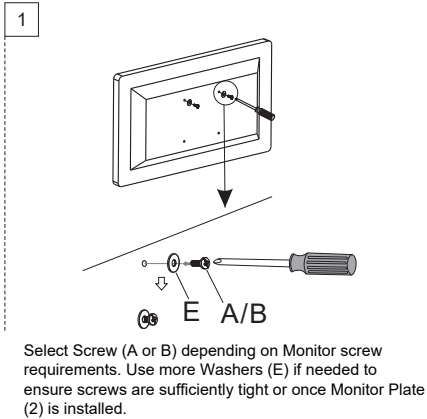


WARNING
Ensure the Lock Collar (3) is fully tightened using the 3X3 allen wrench (F) before attaching monitors.



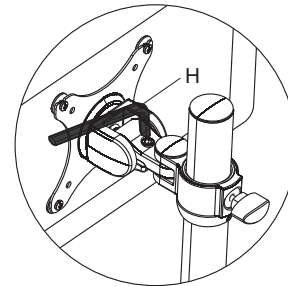
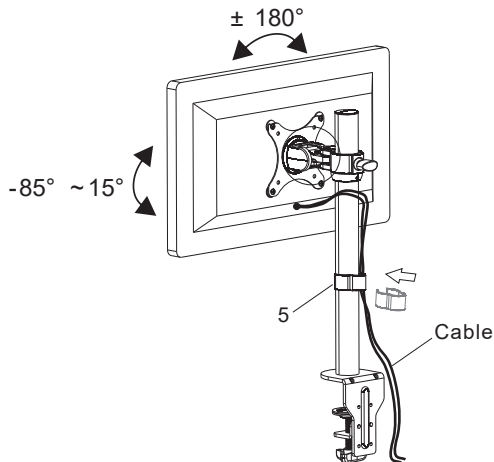
STEP 3

Attaching Monitor to the Monitor Plate (2)



STEP 4

Adjusting the monitors and installing cables



Adjust the tilt of the monitor using the provided 5X5 Allen Key (G)



CAUTION

This product contains small items that could be a choking hazard if swallowed. Keep these items away from young children. Please ensure all instructions are read and completely understood before attempting installation. If you are unsure of any part of this installation, please contact a professional installer for assistance.

The desk or mounting surface must be capable of supporting the combined weight of the Monitor Stand and monitors otherwise the structure must be reinforced. To ensure optimal performance, check for any loose screws every two months.

This product was designed to be installed onto a desktop. Before installing, make sure the mount will support the combined load of the mount and display. Never exceed the maximum load capacity of 22 lb or this may result in product failure or personal injury.

This product is intended for indoor use only. Use of this product outdoors could lead to product failure or personal injury.