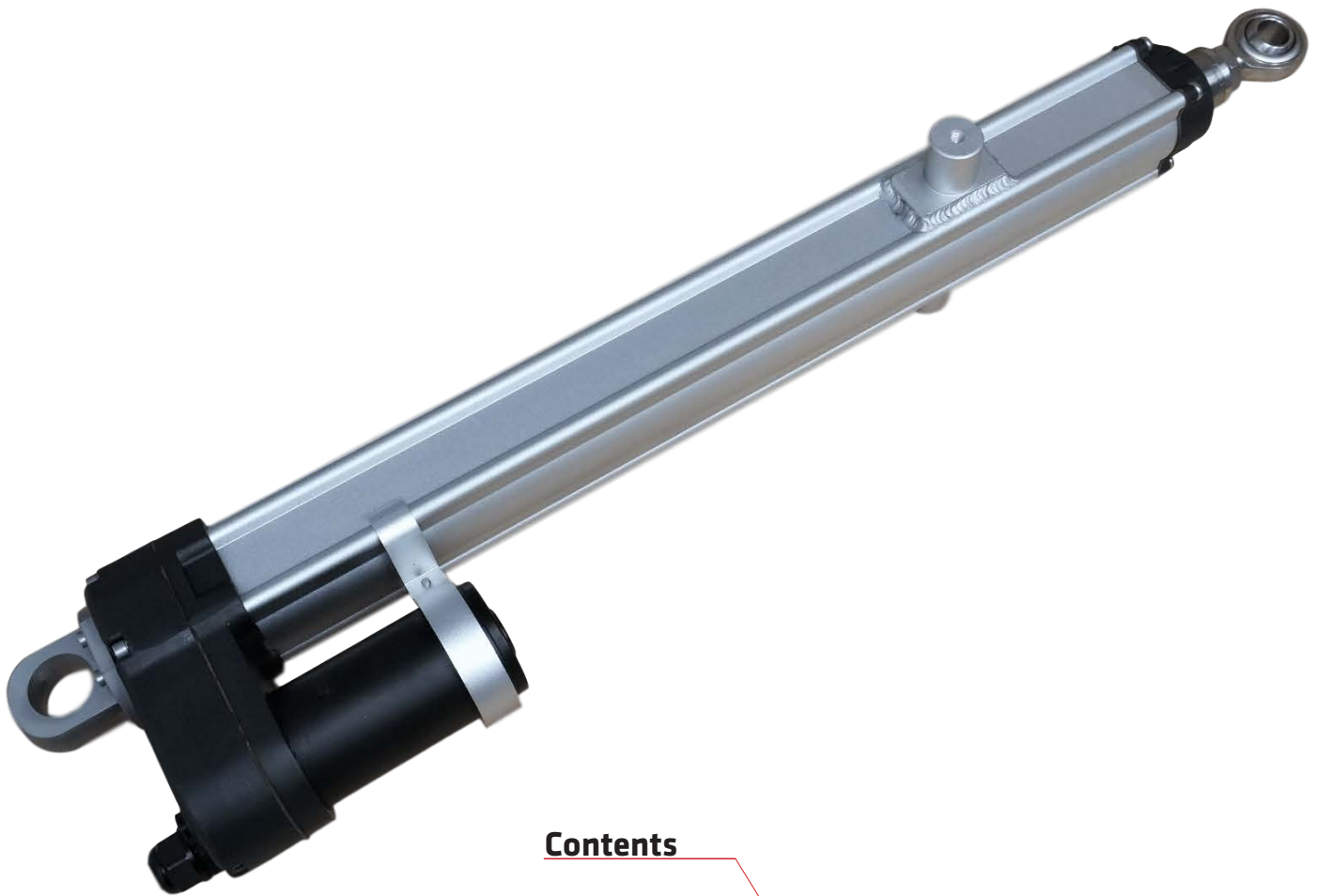


PA-100

Data Sheet



Contents

Specifications	Page 2
Dimensions	Page 3
Load vs Speed/Current	Page 4
Feedback Options	Page 5

Specifications



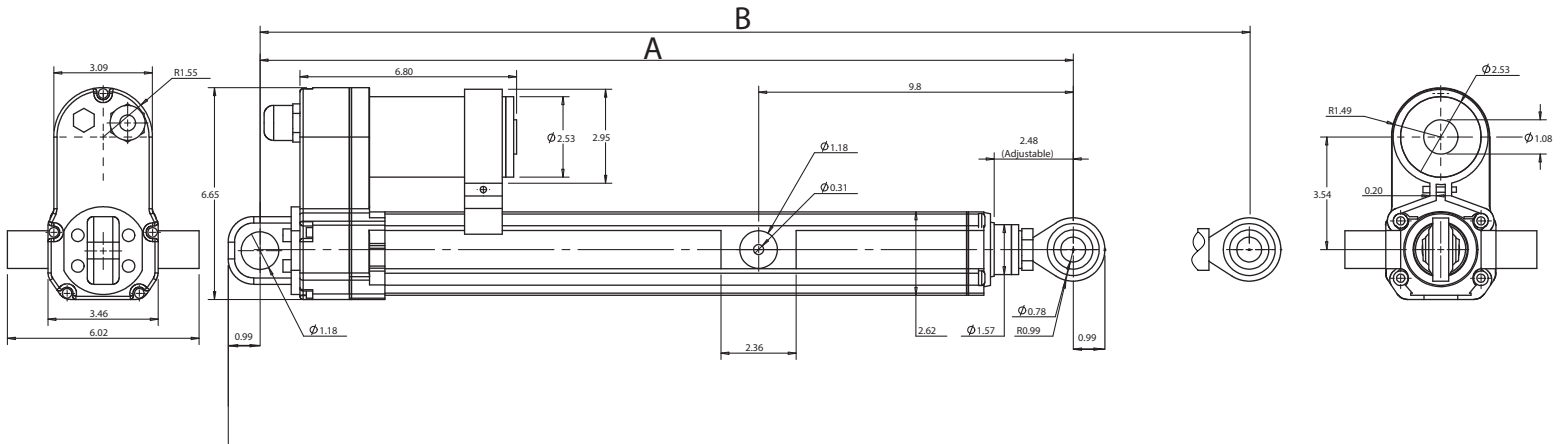
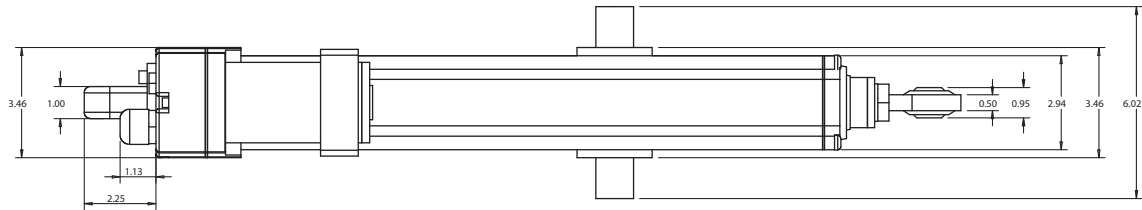
Load (LBS)		No Load Current (A)			Full Load Current (A)			Speed (inch/sec)	
Dynamic	Static	12VDC	24VDC	36VDC	12VDC	24VDC	36VDC	No Load	Full Load
3,300	10,000	<1.0	<1.0	<1.0	12.0A	6.0A	4.1A	0.08	0.06

Stroke	Can customize from 4" to 45"
Protection Class	IP66M
Operational Temperature	-30°C to 70°C (-22°F to 158°F)
Noise	56 dB
Duty Cycle	12%
Limit Switch	Internal, non-adjustable
Limit Switch Feedback	Yes
Feedback Options	Hall Effect (see Page 5)
Wire Length	82"
Motor Type	Brushed DC Motor
Screw Type	ACME Screw (Integrated Brake)
Housing Material	Aluminum Alloy
Gear Material	Powder Metallurgy
Rod Material	Stainless Steel
Certifications	UV Ray, Salt Exposure, UL



Dimensions

(Dimensions in inches)



Hole to Hole

PA-100	Stroke	4	6	8	10	12	14	16	18	20	22	24	30	36	40	45
	A	17.37	19.37	21.37	23.37	25.37	27.37	29.37	31.37	33.37	35.37	37.37	46.37	52.37	56.37	61.37
B	21.37	25.37	29.37	33.37	37.37	41.37	45.37	49.37	53.37	57.37	61.37	76.37	88.37	96.37	106.37	

For Stroke Length 4" to 24"

A = Stroke Length + 13.37"

B = Stroke Length x2 + 13.37"

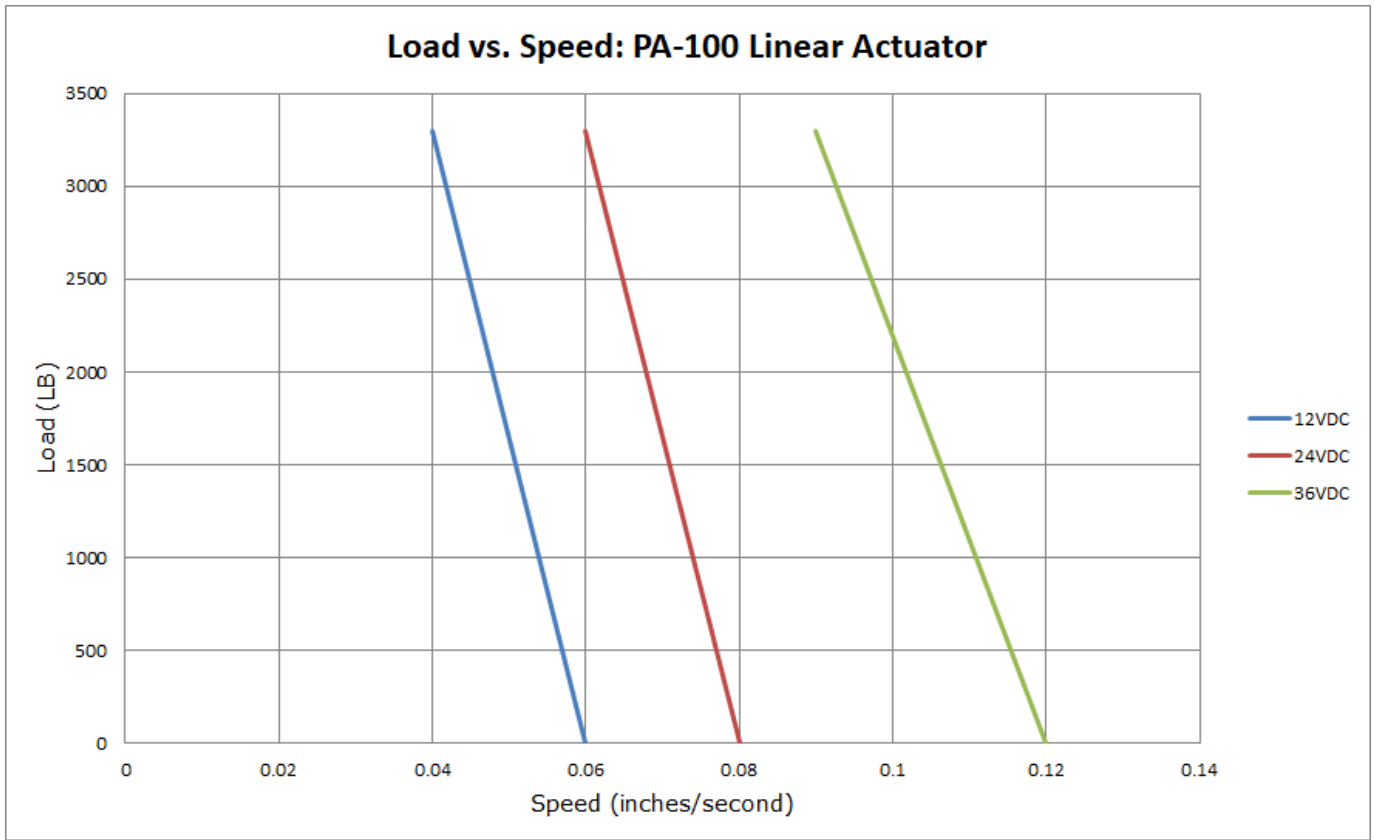
For Stroke Length 26" to 45"

A = Stroke Length + 16.37"

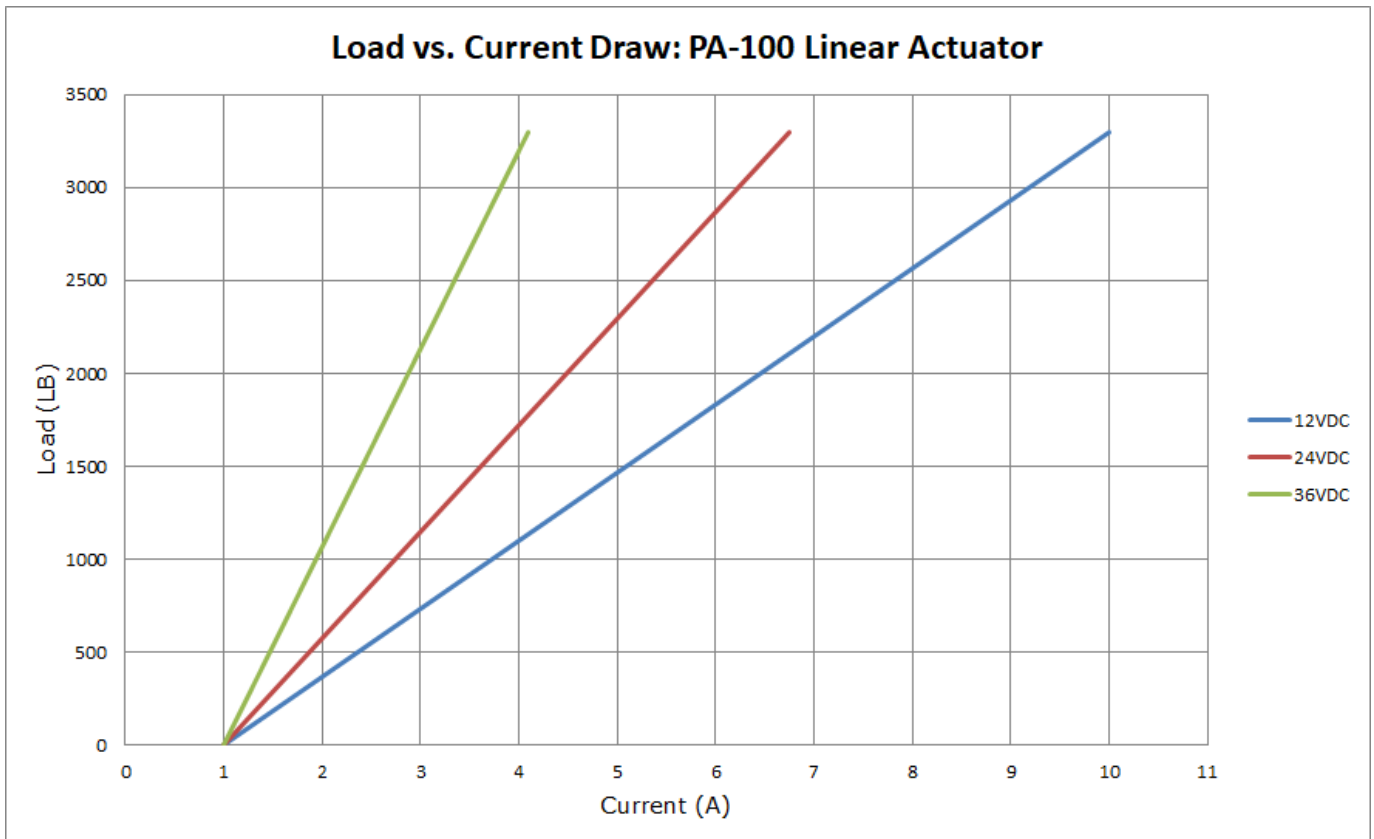
B = Stroke Length x2 + 16.37"



Load vs Speed



Load vs Current



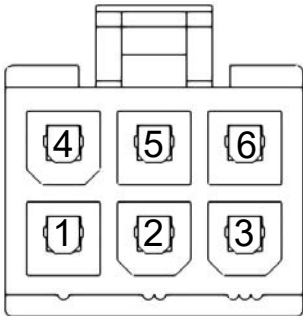
Hall Effect Specifications



Pulses/inch	Resolution
2263	0.00177

6-Pin Hall Effect Connector

Front View



Motor		Hall Sensor			
4	5	2	3	1	6
M+ (Extend)	M- (Retract)	GND	+5VDC	Signal 2 Leads when Extending	Signal 1 Leads when Retracting

