

SURGICAL DRILL SYSTEM

The MT5000 Micro Torque Surgical Drill System is equipped with the most up to date and powerful micro motor which delivers high levels of reliability.

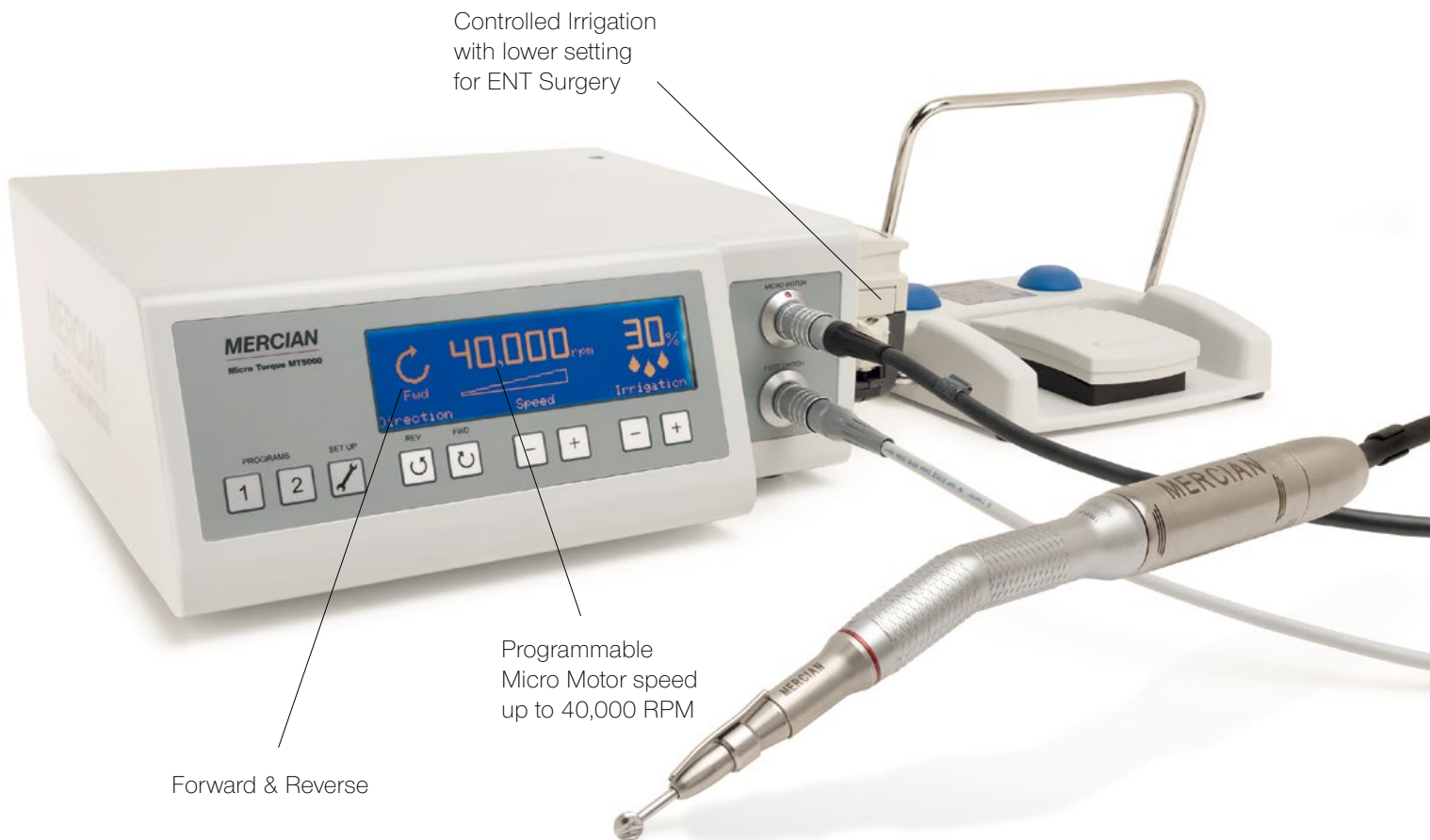
The range of Handpieces available allows a wide range of Surgery in Maxillo-Facial, E.N.T. and Craniofacial Surgery with both Bur and Micro Saw Handpieces available.

The precisely controlled Irrigation System results in the cutting tool continually irrigated to the Surgeons requirements.

- Autoclavable micro motor
- Irrigation system
- Digital display
- Programmable settings
- Full handpiece range



Mobile stand
MT5017-00



Forward & Reverse

Programmable
Micro Motor speed
up to 40,000 RPM

Controlled Irrigation
with lower setting
for ENT Surgery



Straight Oral Surgery Handpiece PMRM1124

- 1:1 Transmission
- For 44mm & 50mm Burs
- Max speed 40,000 RPM

1600052-001



Straight Handpiece PMRM1122

- 1:1 Transmission
- For 70mm Burs
- Max speed 40,000 RPM

1600206-001



Straight Extra Long Handpiece PMRM1124

- 1:1 Transmission
- For 95mm Burs
- Max speed 40,000 RPM

1600340-001



Angled Handpiece PMRM1124

- 1:1 Transmission
- For 70mm Burs
- Max speed 40,000 RPM

1600207-001



Angled Extra Long Handpiece PMRM1122

- 1:1 Transmission
- For 95mm Burs
- Max speed 40,000 RPM

1600336-001

COMPONENTS



MICRO TORQUE MT5000 ELECTRONIC CONSOLE

The electronic console allows the user to select the maximum speed required also the irrigation flow. There is also the possibility of selecting forward & reverse.

MT5010-00



FOOTSWITCH CONTROL

A foot pedal allows the constant control over the speed range of the micro motor. From the foot pedal you can also switch the irrigation on/off and switch the micro motor into forward or reverse.

MT5011-00



IRRIGATION PUMP

The irrigation system is easy to set up and precisely controllable. The rotary pump runs in sync with the micro motor.

Lower settings for E.N.T. Surgery allows a fine flow of irrigation onto the Bur.

MT5018-00



MICRO MOTOR CABLE

The sterilizable micro motor is a high performance self cooling micro motor. Brushless with a variable speed range from 500 to 40,000 RPM.

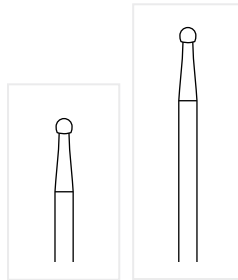
MT5012-00

Toller Round Head Bur

- Tungsten Carbide with blood ring
- ISO standard 2.35mm Ø shaft



1/1



Length	50mm	70mm
Head size	2.3mm	2.3mm
Code No.	SB0144-23	SB0170-23



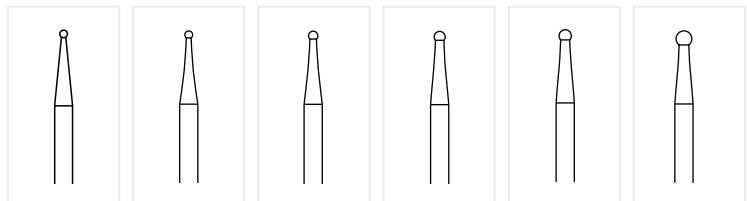
Sterile Packed in boxes of 10

Round Head Bur

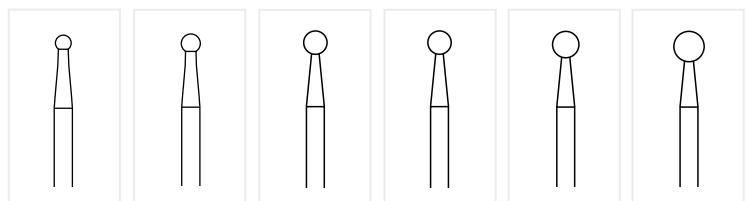
- Tungsten Carbide
- ISO standard 2.35mm Ø shaft



1/1



Head size	1.0mm	1.2mm	1.4mm	1.6mm	1.8mm	2.1mm
44mm length	SB1244-10	SB1244-12	SB1244-14	SB1244-16	SB1244-18	SB1244-21
50mm length	-	SB1250-12	-	-	SB1250-18	-



Head size	2.3mm	2.7mm	3.1mm	4.0mm	5.0mm	6.0mm
44mm length	SB1244-23	SB1244-27	SB0244-31*	SB0244-40*	SB0244-50*	SB0244-60*
50mm length	SB1250-23	-	-	-	-	-

*Only available in Stainless Steel

Sterile Packed in boxes of 10

Toller Tapered Fissure Bur

- Tungsten Carbide cross cut with Blood Ring



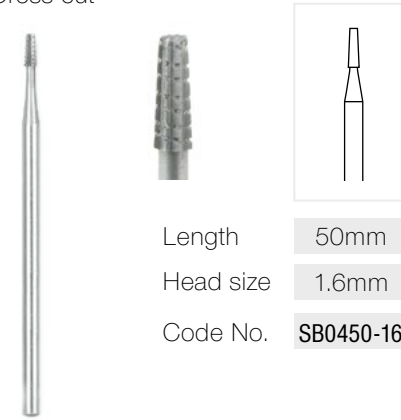
Length	50mm	70mm
Head size	1.6mm	1.6mm
Code No.	SB0144-16	SB0170-16

1/1

Sterile Packed in boxes of 10

Tapered Fissure Bur

- Tungsten Carbide
- 50mm length
- Cross cut



Length	50mm
Head size	1.6mm
Code No.	SB0450-16

1/1

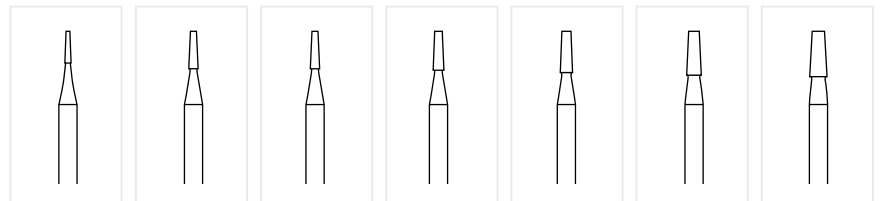
Sterile Packed in boxes of 10

Tapered Fissure Bur

- Tungsten Carbide
- 44mm length
- Cross cut
- ISO standard 2.35mm Ø shaft



1/1



Head size	1mm	1.2mm	1.4mm	1.6mm	1.8mm	2.1mm	2.3mm
Code No.	SB1444-10	SB1444-12	SB0444-14*	SB1444-16	SB0444-18*	SB1444-21	SB1444-23

Sterile Packed in boxes of 10

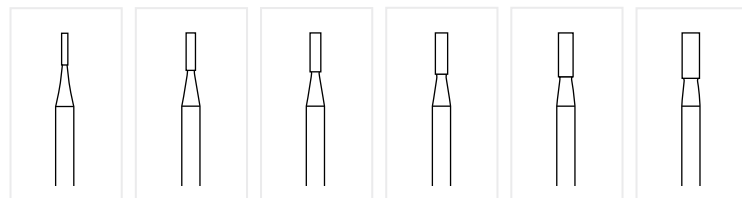
*Only available in Stainless Steel

Flat Fissure Bur

- Stainless steel
- 44mm length
- Cross cut
- ISO standard 2.35mm Ø shaft



1/1



Head size	1mm	1.4mm	1.6mm	1.8mm	2.1mm	2.3mm
Code No.	SB0344-10	SB0344-14	SB0344-16	SB0344-18	SB0344-21	SB0344-23

Sterile Packed in boxes of 10

Apicectomy Bur

- 44mm length
- Stainless steel

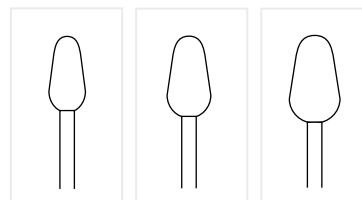


Head size **0.8mm**
Code No. **SB0144-08**

1/1 Sterile Packed in boxes of 10

Bud Bur

- Cross cut



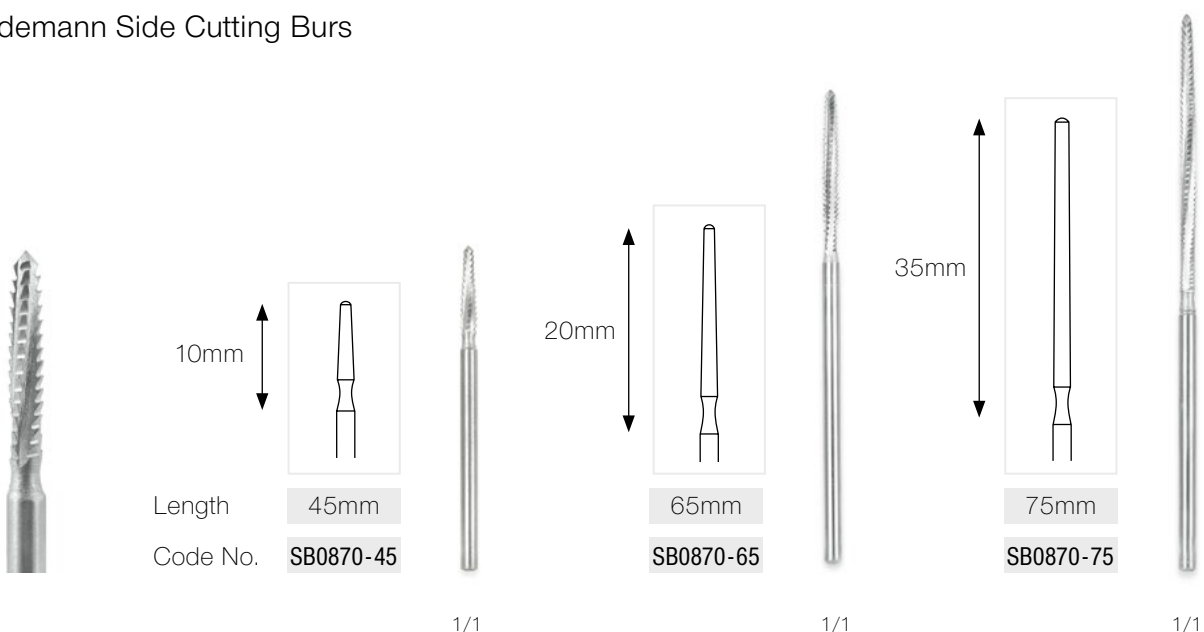
Head size **5mm** **6mm** **7mm**

50mm length Code No. **SB0544-50** **SB0544-60** **-**

70mm length Code No. **SB0570-50** **SB0570-60** **SB0570-70**

50mm Sterile Packed in boxes of 10
70mm Sterile Packed in boxes of 5

Lindemann Side Cutting Burs



Length **45mm**
Code No. **SB0870-45**

1/1

20mm

Length **65mm**
Code No. **SB0870-65**

1/1

35mm

Length **75mm**
Code No. **SB0870-75**

1/1

Sterile Packed in boxes of 5

ENT Rosen Cutting Bur

- 70mm length
- Stainless steel



1/1

Head size	0.6mm	0.7mm	0.8mm	1mm	1.4mm	1.8mm	2.3mm	
Code No.	SB1170-06	SB1170-07	SB1170-08	SB1170-10	SB1170-14	SB1170-18	SB1170-23	
	2.7mm	3.1mm	3.5mm	4mm	4.5mm	5mm	6mm	7mm
	SB1170-27	SB1170-31	SB1170-35	SB1170-40	SB1170-45	SB1170-50	SB1170-60	SB1170-70

Sterile Packed in boxes of 5

ENT Diamond Polishing Bur

- 70mm length



1/1

Head size	0.6mm	0.7mm	0.8mm	1mm	1.5mm	1.8mm	2.3mm	
Code No.	SB1470-06	SB1470-07	SB1470-08	SB1470-10	SB1470-15	SB1470-18	SB1470-23	
	2.7mm	3.0mm	3.5mm	4mm	4.5mm	5mm	6mm	7mm
	SB1470-27	SB1470-30	SB1470-35	SB1470-40	SB1470-45	SB1470-50	SB1470-60	SB1470-70

Sterile Packed in boxes of 5