

GALV. STEEL MOUNTING BRACKET

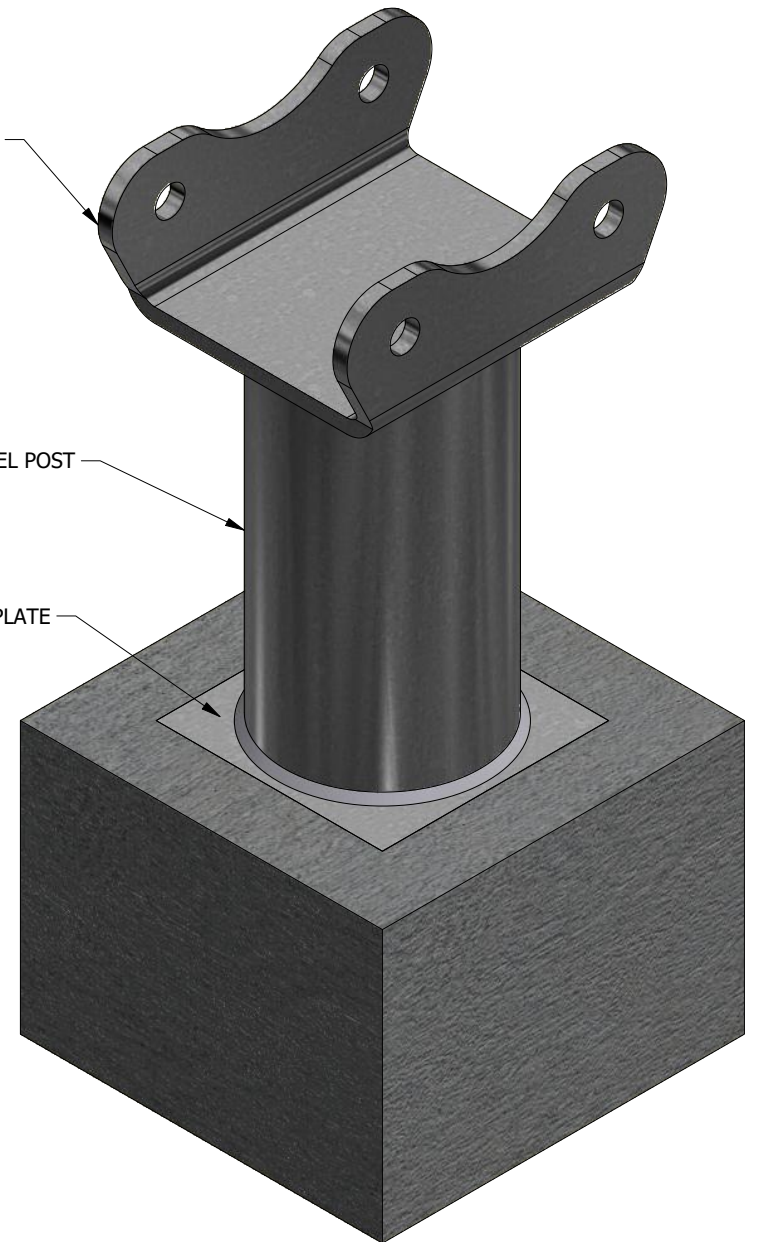
GALV. STEEL POST

STEEL BASE PLATE

CIP EMBED STUD (TYP 4 PLACES)

REINFORCED CONCRETE SLAB (BY OTHERS)

5/16"



GENERAL MATERIAL SPECIFICATION:

- STEEL PIPE: ASTM A500 (FY = 42 KSI)
- STEEL PLATE: ASTM A572 GR 50 (FY = 50 KSI)
- CIP EMBED STUD: AWS D1.1 GR B (FU = 65 KSI)

SERIES NAME: CAST-IN-PLACE DAVIT BASE
 SERIES NUMBER: DB-2400

RATED LOAD: 1,000 LBS
 FRACTURE LOAD: 4,000 LBS

