

- Quiet - as low as 36.5 dBA
- Efficient - up to 70%
- Highly reliable - up to 10x more reliable
- Universal voltage (70-246V) - use one SKU anywhere
- 57:1 SKU reduction - reduces inventory and boosts profits



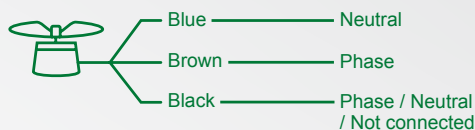
Specifications	
Input voltage range	70-264V, 50-60Hz (all models)
Output power range	0-13W
Speed range	300-1800 RPM
Max. input power	20.5W
Max. input current	0.10A (@230V). 0.20A (@115V)
Max power factor	0.95
EMC protection	4000V (per EN61000-6-2)
Insulation class	Class A (105°C)
Electronic protection	Locked rotor and automatic thermal de-rating also included
Refrigerant compatibility	HFC, CO ₂ and hydrocarbon (per IEC60335-2-89 Annex BB)
IP rating	IP67
Operating temp. range	-30°C to +50°C (-22°F to +122°F)
Storage temp. range	-40°C to +80°C (-40°F to +176°F)
Weight	0.86kg (1.9lb)
Approvals	

WIRING DIAGRAM

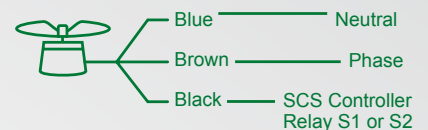
For single speed operation



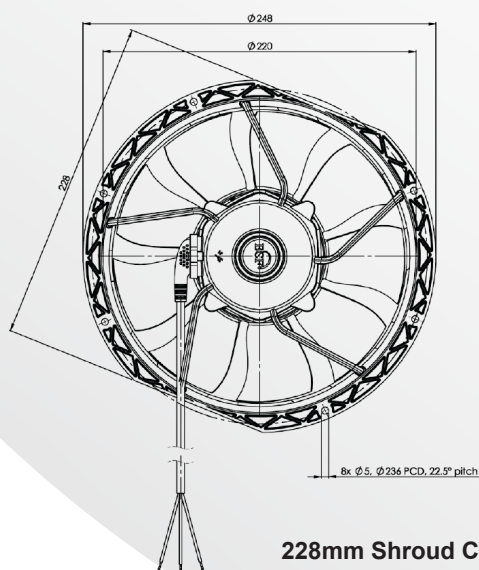
For three speed or reversible operation



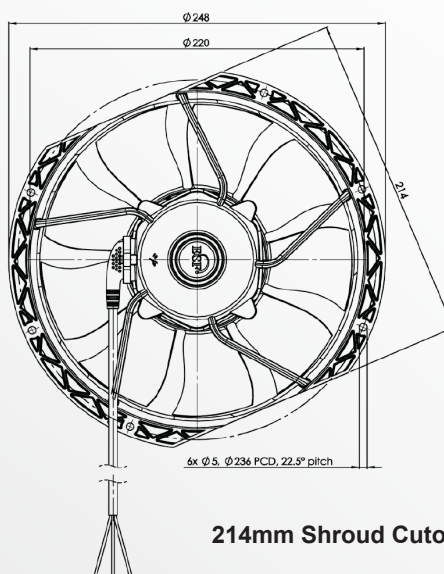
For variable speed operation



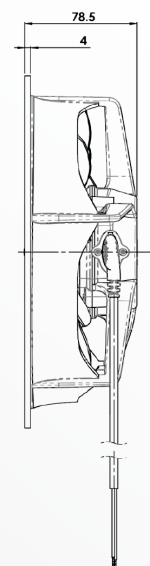
DIMENSIONS



228mm Shroud Cutoff



214mm Shroud Cutoff



AIRFLOW DATA

Fan Speed N [RPM]	Input Power Pe [W]	Sound Pressure* LpA [dB(A)]	Inlet Sound Power Level ** LwA [dB(A)]	Static Pressure P [Pa]	Airflow Q [m ³ /hr]
1325	6.8	42.4	49.4	5	432.0
1325	7.5	41.7	48.7	15	377.1
1325	7.5	44.3	51.3	20	291.8
1325	8.7	46.2	53.2	35	172.7
1325	9.9	47.3	54.3	50	107.7
1500	9.8	44.9	51.9	5	505.2
1500	10.5	44.5	51.5	15	464.9
1500	10.8	44.7	51.7	20	431.9
1500	11.1	50.1	57.1	35	232.2
1500	12.8	50.0	57.0	50	179.1
1800	14.6	49.1	56.1	5	606.5
1800	16.2	48.7	55.7	15	581.7
1800	17.3	48.8	55.8	20	566.7
1800	17.8	48.9	55.9	35	452.7
1800	18.2	54.7	61.7	50	283.5

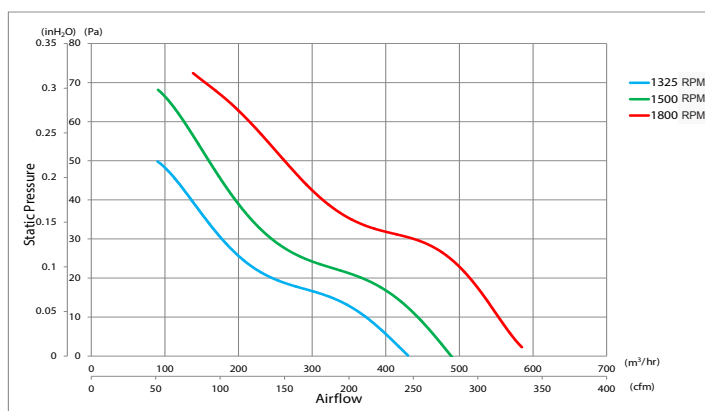
* Average inlet sound pressure, measured according to ISO 10302-1, measured at 1m radius

** Inlet sound power equivalent according to ISO 13347-1

OEM OPTIONS

- Preprogrammed or factory/field programmable speeds
- Realtime continuously variable speed control over third mains wire (no extra cables required)
- Custom cable and plug options
- Metric, imperial, or custom hardware
- 3 speed, reversible, or timed-reverse options
- Food Grade rated housing option

AIRFLOW GRAPH



21 Arrenway Drive, Rosedale, Auckland 0632, PO Box 302-533 North Harbour, Auckland 0751, New Zealand

P: +64 (9) 477 4500 E: info@wdtl.com www.wdtl.com