


ECF8A UltraSynch Fanpack

An EC motor in a custom fanpack

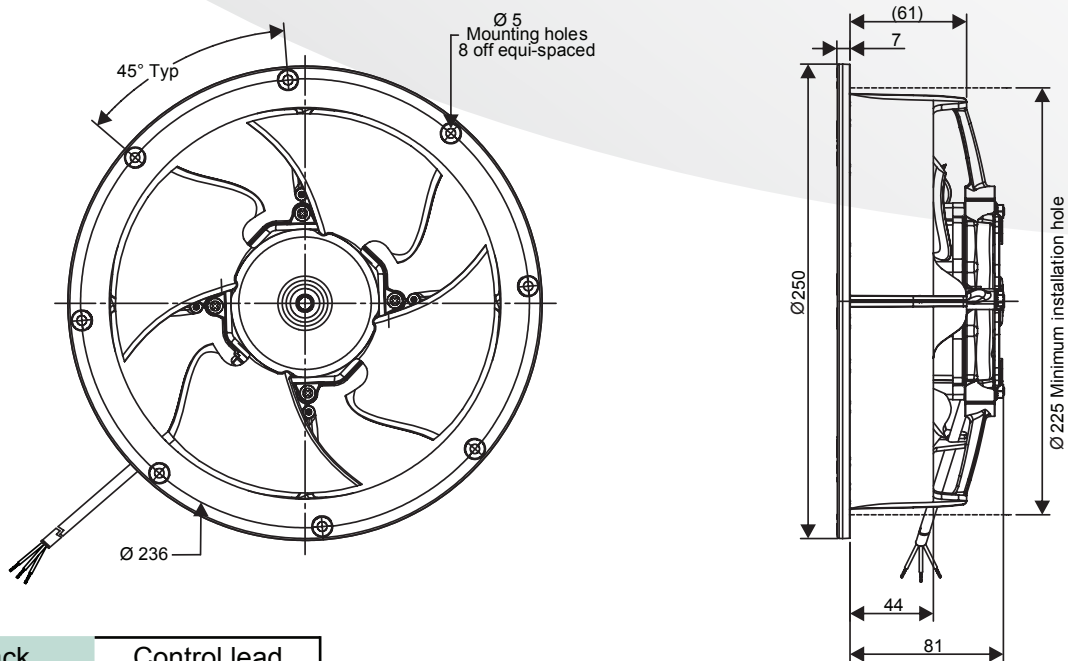
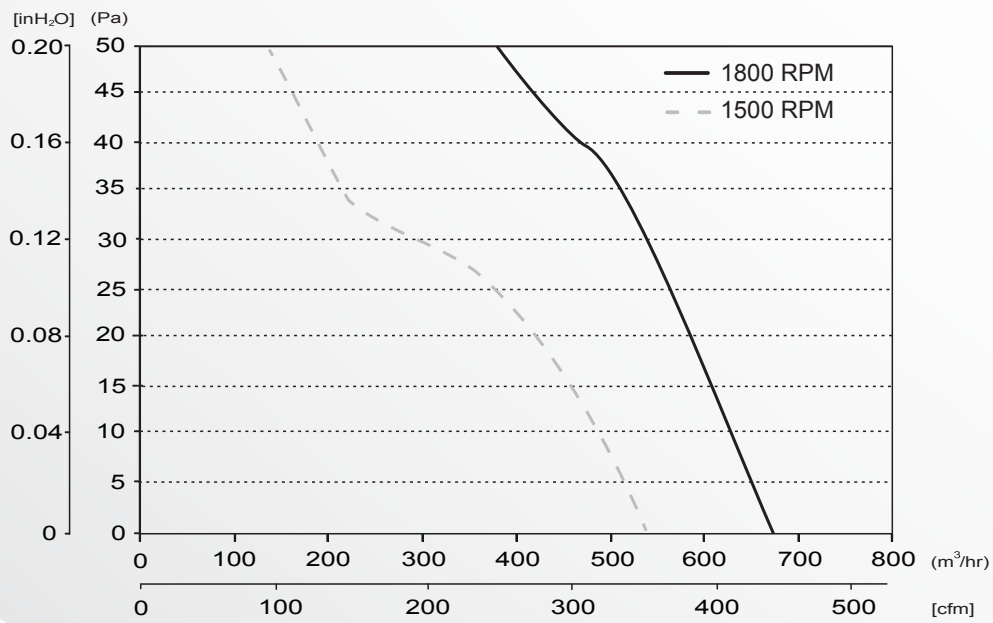
- Aerodynamic blade and basket
- High efficiency
- Low noise
- Lowest cost



Specifications	
Integrated fan pack	Integrated fan pack, providing a high efficiency solution with easy installation
Proprietary high efficiency fan	High system efficiency for desired airflow
Speed	Precision fixed speed: Regardless of power supply fluctuations, the motor speed remains absolutely constant.
Electronic control safety	If the motor fails to start or is forced outside the preset range, locked rotor/stall detection switches the motor to standby mode, and automatically restarts after 40 seconds. This software detection protects the motor with a timed restart algorithm to limit maximum winding temperature. Self-resetting thermal protection stops the motor if over-temperature occurs. The motor restarts when the winding temperature is back within the operating range.
Moisture and dust protection	ECF assemblies are IP55. In all ECF motors, a conformal coating is applied to the electronic control board for additional moisture protection.
Low noise	Mechanical vibrations removed with fix anti-vibration basket
Voltage range	100-127 Vac 190-254 Vac
Operating temperature	-30°C to +40°C (-22°F to +104°F)
Transport temperature	-40°C to +80°C (-40°F to +176°F)
Weight	1.05 kg (2.3 lb)
Approvals	
Custom configuration	Timed reverse: Motor reverses direction of rotation for a fixed time prior to turning off, keeping the condenser coils clean and efficient, reducing energy and service costs. Different power leads. For other custom configurations, please contact your local Wellington office.

Motor	Voltage V / Hz	Current A	Speed RPM	Protection IP	Approval
ECF8A8xxx1	230 / 50	0.09	1500	55	CE, VDE, CCC
ECF8A8xxx2	230 / 60	0.12	1800	55	CE, VDE, UL, cUL
ECF8A9xxx2	115 / 60	0.23	1800	55	UL, cUL

ECF8A UltraSynch Airflow 200mm Fan



Black	Control lead
Blue	Neutral
Brown	Line / Phase

Motor	Voltage V / Hz	Air Flow * m ³ /hr [cfm]	Speed RPM	Input Power W	Current A
ECF8A8xxx1	230 / 50	546 [321]	1500	12.0	0.09
ECF8A8xxx2	230 / 60	676 [398]	1800	16.7	0.12
ECF8A9xxx2	115 / 60	676 [398]	1800	16.7	0.23

* In zero static

21 Arrenway Drive, Rosedale Auckland 0632, PO Box 302-533 North Harbour, Auckland 0751, New Zealand

P: +64 (9) 477 4500 E: info@wdtl.com www.wdtl.com