

Connect™ Network

Always on connectivity for any location

(Preliminary datasheet)

- Flexible cellular options
- Real time location tracking
- Easy to install for new and retrofit
- Battery backup
- Over the air updates



Specifications	
Input voltage and current	5Vdc (can be powered by Connect™ SCS)
Cellular communications	LTE Cat M1 & Cat NB2 with 2G (GPRS) fallback
Radio communications	Wi-Fi, Bluetooth Smart (4.1)
Auxiliary inputs	Two x analog/digital voltage
Battery	750mAh, 3.7V, Li-Po (approx. two months*)
Ingress protection	IP54 front, IP43 back
Refrigerant compatibility	HCs, HFCs, CO ₂
Operating temperature**	-20°C to +60°C (-4°F to 140°F)
Storage temperature	-20°C to +60°C (-4°F to 140°F)
Weight	TBC
Approvals***	CE FC RoHS

* Battery used to track location during an exception event. Time frame is approximate and pending development.

** Battery charging is disabled when operating outside rated temperature range.

*** Approvals pending.

Functions	
Always on connectivity options	<ul style="list-style-type: none"> • Bluetooth for local connection to mobile devices and proximity marketing. • Cellular connectivity for wide area transmission of data and over the air updates. • Wi-Fi connectivity option when local wireless service is available.
Flexible configuration	<ul style="list-style-type: none"> • Can connect to all Connect™ IoT devices or act as a standalone logger using two auxiliary analog/digital inputs. • Use one Connect Network per asset or, as a hub for all equipment in an outlet.
Asset location	Track location via cellular and Wi-Fi estimation, or optional add-on GPS module.
Connection and data format	<ul style="list-style-type: none"> • Compatible with all Connect IoT devices. • Connects automatically to permissible devices and the Connect™ Cloud.
Battery backup	Enables configurable alerts such as loss of power, location information, product quality and safety, and more.
Over the Air updates	<ul style="list-style-type: none"> • Enables remote firmware and software updates to devices in the field. • May be used to update Connect Network or in support of other Connect IoT devices, such as SCS and Monitor.

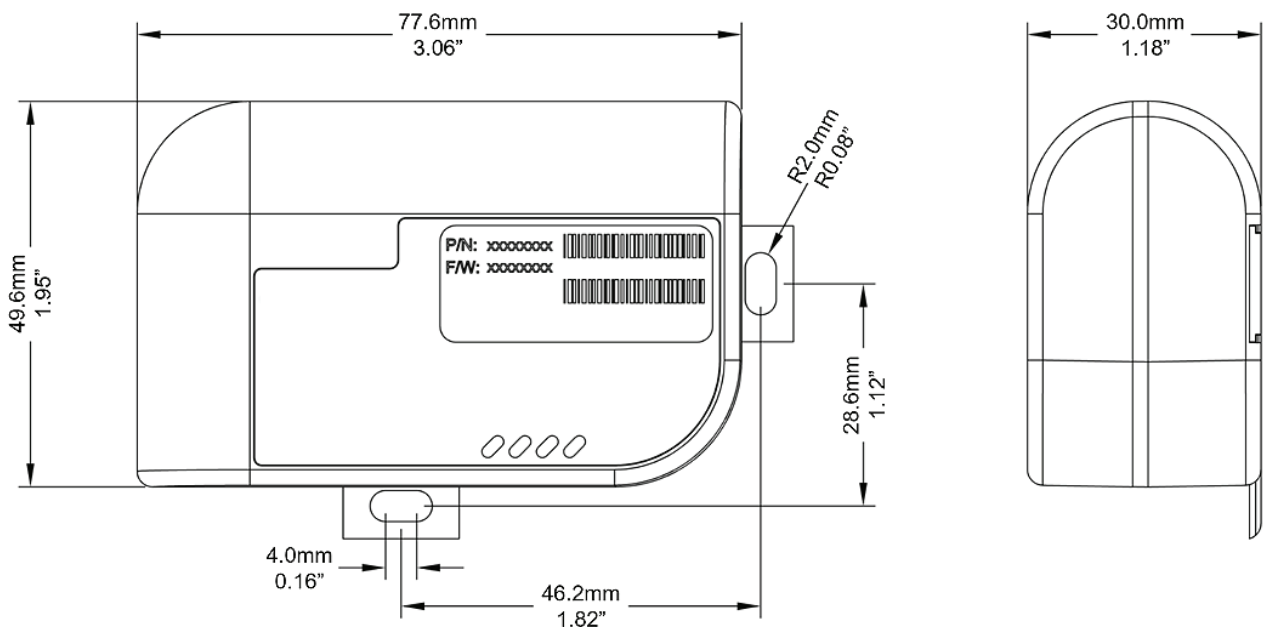
Features

Version	Cellular primary	Cellular fallback	Sigfox	Wi-Fi	Bluetooth	External sensors	Battery backup	GPS	External antenna
LTE/2G	✓	✓	✗	✗	✓	✗	✓	⊕	✗
Wi-Fi	✓	✓	✗	✓	✓	✗	✓	⊕	✗
Logger Hub	✓	✓	✗	⊕	✓	✓	✓	⊕	✗

⊕ Optional

- Cellular primary option will be LTE (Cat M1 or NB1). Cellular fallback will be 2G. Choice of technology is dependent on country and carrier.
- Wellington global SIM is preloaded at factory. For volume customers, customer specified SIM can be available.

DIMENSIONS



21 Arrenway Drive, Rosedale, Auckland 0632, PO Box 302-533 North Harbour, Auckland 0751, New Zealand

P: +64 (9) 477 4500 E: info@wdtl.com www.wdtl.com