


Connect™ Monitor

Connected refrigeration – multifunctional integrated IoT sensor

- Retrofit or new equipment
- Easy installation
- Self-contained
- Universal fit
- Battery-powered



Specifications	
Power source	Lithium battery*, 4000 mAh, size A
Battery life	Five plus years**
Sensors	Internal
Transmitters	Bluetooth, NFC
Indicators	LED status indicator
Protocols supported	Connect™ IoT, iBeacon, Eddystone
Data storage	Two months**
Overall dimensions	107 x 42 x 27 mm (4.2 x 1.6 x 1.1 in)
Ingress protection	IP67
Operating temperature	-35°C to +40°C (-31°F to +104°F)
Storage temperature	-40°C to +85°C (-40°F to +185°F)
Weight	70g (2.5oz)
Approvals**	

* Battery is not replaceable nor rechargeable

** Under normal operating conditions

Functions	
Asset location	<ul style="list-style-type: none"> • Identify equipment position changes at retail location via movement detection. • Manage unauthorized movements by tracking location via Connect IoT Apps.
Appliance parameters logged	<ul style="list-style-type: none"> • Temperature: record average, high, and low during each period. • Door opening count: track commercial activity. • Compressor duty cycle: perform technical diagnostics.
Internal functions logged	Track internal battery status and fault alarms.
Connection and data format	Compatible with all other Connect IoT devices and apps.
Battery optimisation	<ul style="list-style-type: none"> • Self-determines when an appliance is not in use and automatically enters standby mode. • Beacon advertising frequency optimized for functionality and configurable for enhanced battery life.
Beacons	iBeacon and Eddystone beacon equipped for both consumer marketing and commercial app interactions.
Equipment application	Vertical coolers and freezers, food service counters, walk-in coolers and cold rooms, etc*

* One Connect Monitor required per door. Multiple devices per system may also be required for special applications.

INSTALLATION

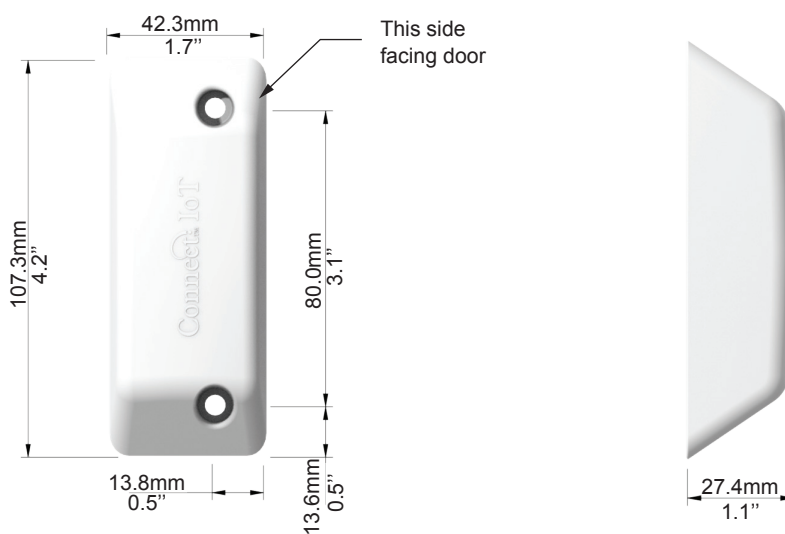
- Attach Connect Monitor to appliance wall within **70mm (2 3/4 inches)** of door, using the supplied hardware (adhesive tape or self-tapping screws).
- Using Connect™ Field app, enable Connect Monitor and assign the equipment information.
- Complete equipment in-store setup following your usual process in the Field app.



Install Connect Monitor in any refrigerator or freezer appliance. Applications include:

- retrofit your non-connected equipment fleet;
- monitor refrigeration equipment with mechanical thermostats;
- fit to foodservice display cabinets;
- monitor cold rooms, walk-in coolers, and freezers;
- log temporary cold storage devices at events;
- monitor and track cold or frozen goods during transport;
- fit to portable refrigeration units;
- automate your HACCP monitoring and reporting;
- track unpowered assets, such as merchandising racks and shelves.

DIMENSIONS



Safety warning: Connect Monitor devices contain a lithium battery. This may be hazardous if incinerated or physically damaged. Used devices should be responsibly disposed.

Patent pending.

21 Arrenway Drive, Rosedale Auckland 0632, PO Box 302-533 North Harbour, Auckland 0751, New Zealand

P: +64 (9) 477 4500 **E:** info@wdtl.com **www.wdtl.com**