


# Connect™ Monitor

## Connected refrigeration – multifunctional integrated IoT sensor

- Retrofit or new equipment
- Easy installation
- Self-contained
- Universal fit
- Battery-powered



| Specifications        |   |
|-----------------------|---|
| Power source          | Lithium battery*, 4000 mAh, size A  |
| Battery life          | Five plus years**   |
| Sensors               | Internal  |
| Transmitters          | Bluetooth, NFC  |
| Indicators            | LED status indicator  |
| Protocols supported   | Connect™ IoT, iBeacon, Eddystone  |
| Data storage          | Two months**  |
| Overall dimensions    | 107 x 42 x 27 mm (4.2 x 1.6 x 1.1 in)   |
| Ingress protection    | IP67  |
| Operating temperature | -35°C to +40°C (-31°F to +104°F)  |
| Storage temperature   | -40°C to +85°C (-40°F to +185°F)  |
| Weight                | 70g (2.5oz)   |
| Approvals**           |  |

\* Battery is not replaceable nor rechargeable

\*\* Under normal operating conditions

| Functions                   |  |
|-----------------------------|--|
| Asset location              | <ul style="list-style-type: none"> <li>• Identify equipment position changes at retail location via movement detection.</li> <li>• Manage unauthorized movements by tracking location via Connect IoT Apps.</li> </ul>                                     |
| Appliance parameters logged | <ul style="list-style-type: none"> <li>• Temperature: record average, high, and low during each period.</li> <li>• Door opening count: track commercial activity.</li> <li>• Compressor duty cycle: perform technical diagnostics.</li> </ul>              |
| Internal functions logged   | Track internal battery status and fault alarms.  |
| Connection and data format  | Compatible with all other Connect IoT devices and apps.  |
| Battery optimisation        | <ul style="list-style-type: none"> <li>• Self-determines when an appliance is not in use and automatically enters standby mode.</li> <li>• Beacon advertising frequency optimized for functionality and configurable for enhanced battery life.</li> </ul> |
| Beacons                     | iBeacon and Eddystone beacon equipped for both consumer marketing and commercial app interactions.   |
| Equipment application       | Vertical coolers and freezers, food service counters, walk-in coolers and cold rooms, etc*   |

\* One Connect Monitor required per door. Multiple devices per system may also be required for special applications.

## INSTALLATION

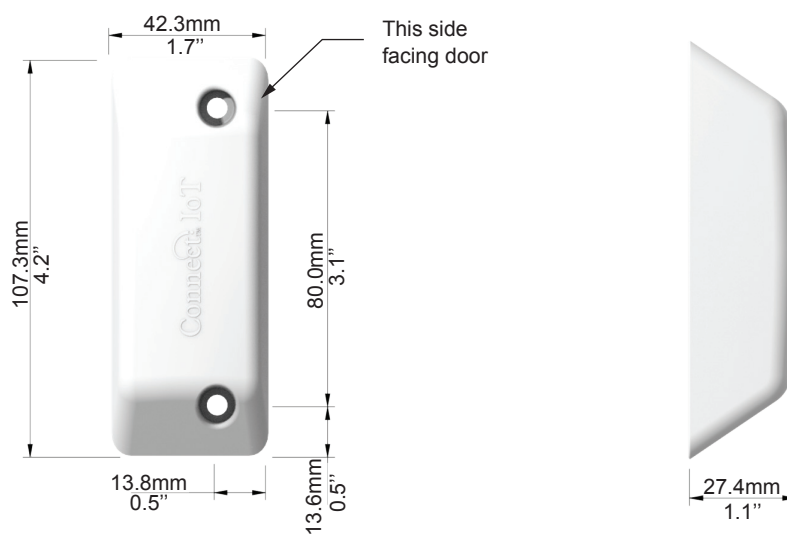
- Attach Connect Monitor to appliance wall within **70mm (2 3/4 inches)** of door, using the supplied hardware (adhesive tape or self-tapping screws).
- Using Connect™ Field app, enable Connect Monitor and assign the equipment information.
- Complete equipment in-store setup following your usual process in the Field app.



### Install Connect Monitor in any refrigerator or freezer appliance. Applications include:

- retrofit your non-connected equipment fleet;
- monitor refrigeration equipment with mechanical thermostats;
- fit to foodservice display cabinets;
- monitor cold rooms, walk-in coolers, and freezers;
- log temporary cold storage devices at events;
- monitor and track cold or frozen goods during transport;
- fit to portable refrigeration units;
- automate your HACCP monitoring and reporting;
- track unpowered assets, such as merchandising racks and shelves.

## DIMENSIONS



*Safety warning: Connect Monitor devices contain a lithium battery. This may be hazardous if incinerated or physically damaged. Used devices should be responsibly disposed.*

*Patent pending.*

21 Arrenway Drive, Rosedale Auckland 0632, PO Box 302-533 North Harbour, Auckland 0751, New Zealand

P: +64 (9) 477 4500 E: info@wdtl.com [www.wdtl.com](http://www.wdtl.com)