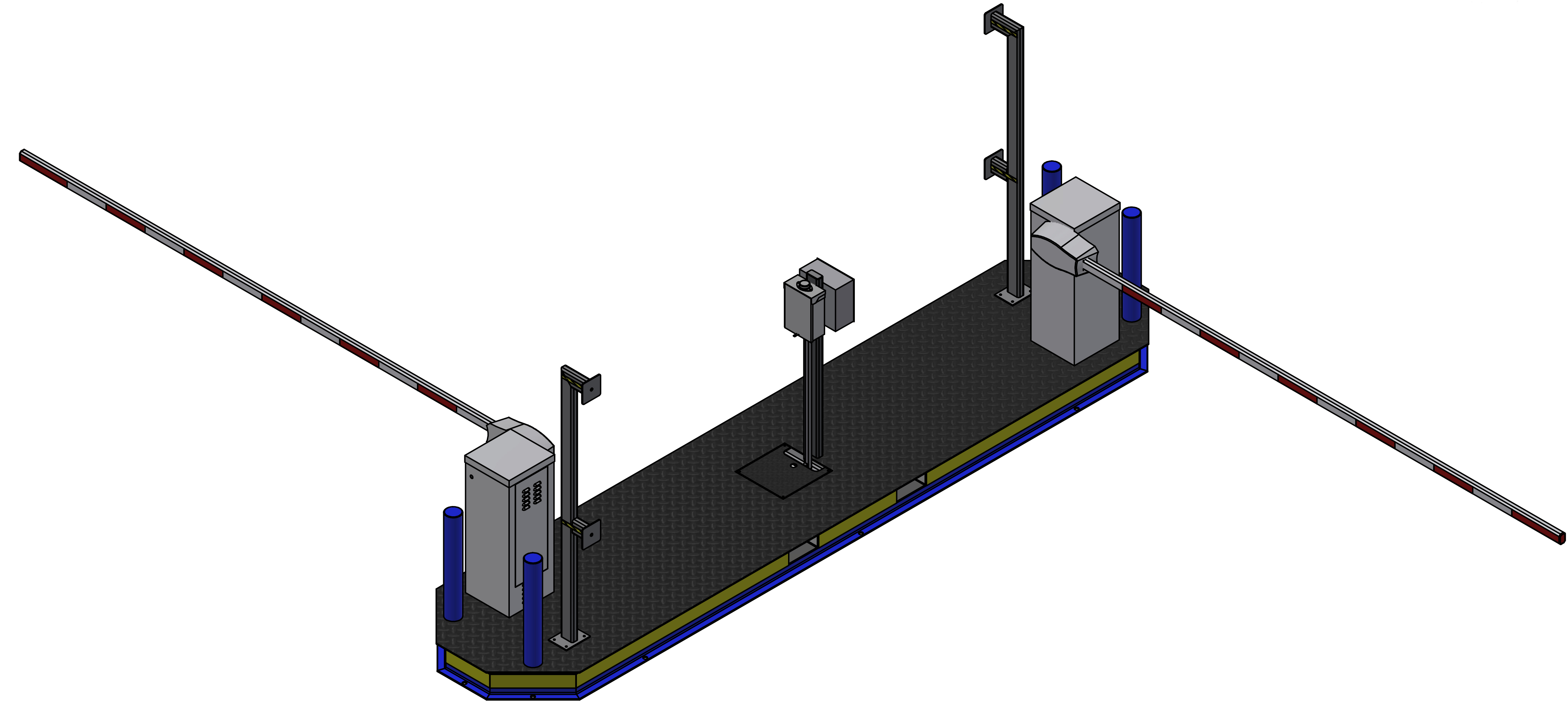


SECURED BY **MFC**.com



**ISOMETRIC SHEETS - OVERALL 2**

THIRD ANGLE PROJECTION	SHEET SIZE
	ANSI D

THIS DOCUMENT CONTAINS INFORMATION THAT IS CONFIDENTIAL AND PROPRIETARY TO MODULAR SECURITY SYSTEMS, INC. THIS DOCUMENT IS FURNISHED ON THE UNDERSTANDING THAT THE DOCUMENT AND THE INFORMATION IT CONTAINS WILL NOT BE REPRODUCED OR DISCLOSED TO OTHERS WITHOUT THE WRITTEN CONSENT OF MODULAR SECURITY SYSTEMS, INC. OR USED FOR ANY PURPOSE OTHER THAN CONDUCTING BUSINESS WITH MODULAR SECURITY SYSTEMS, INC., AND WILL BE RETURNED AND ALL FURTHER USE DISCONTINUED UPON REQUEST BY MODULAR SECURITY SYSTEMS, INC. COPYRIGHT MODULAR SECURITY SYSTEMS, INC. FIRST YEAR COPYRIGHT IS FIRST YEAR INDICATED ON THIS DOCUMENT. ALL RIGHTS RESERVED.

Patent pending with additional patents pending in the U.S. and Worldwide

**MSSI**  
Modular Security Systems

**MSS** by **MSSI**

CUSTOMER: MSS STANDARDS

PROJECT #

PROJECT: VAC2 BASE WITH DOORING SECURITY BARRIERS

NO.	DATE	BY	DESCRIPTION
1	9/22/2021	JOC	MANUFACTURING REVISIONS
0	9/14/2021	REA	INITIAL RELEASE

REVISIONS

TITLE: ISOMETRIC SHEETS - OVERALL 2

BY	DATE
REA	6/5/2017
JOC	9/22/2021

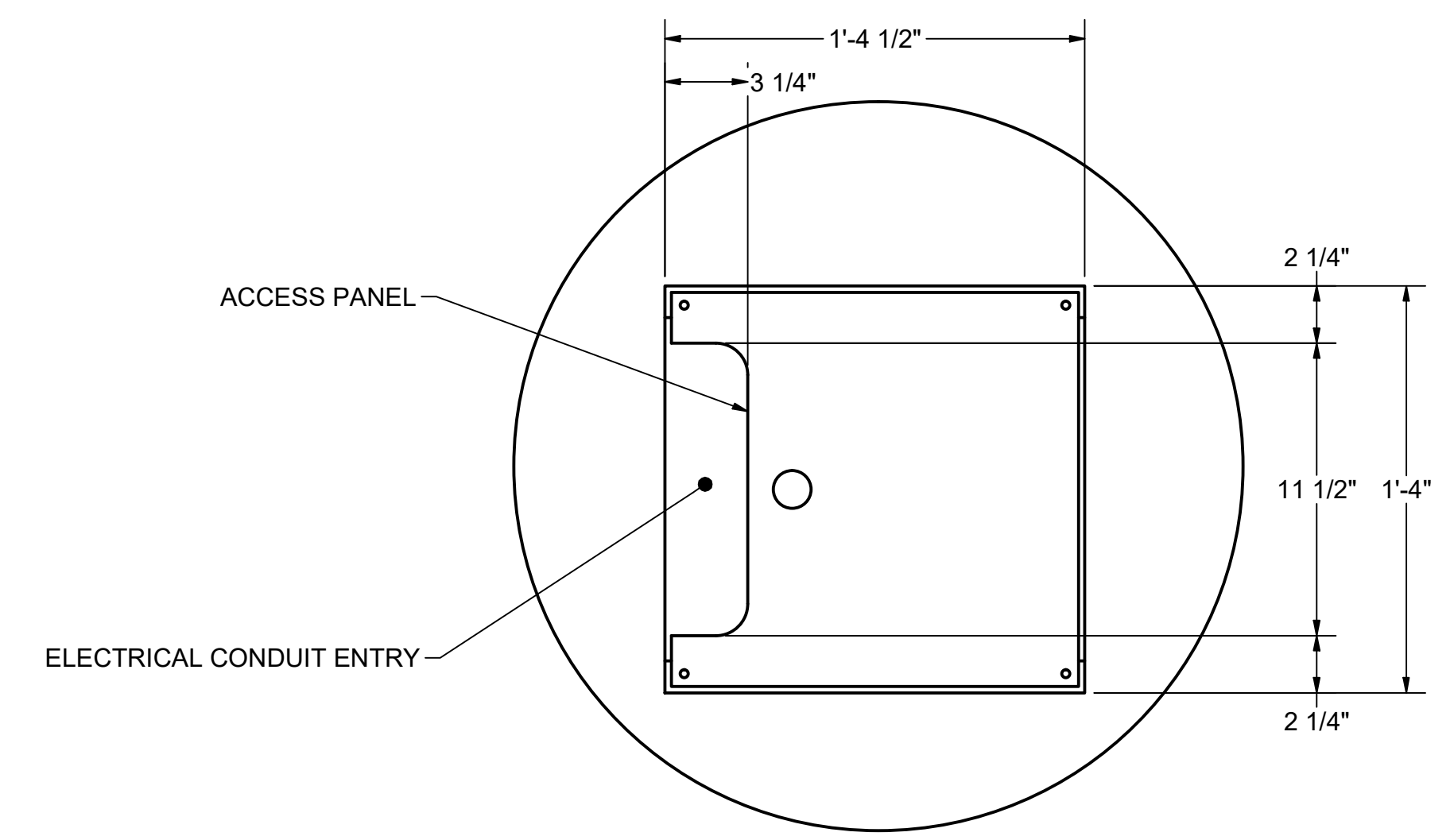
COMMENTS:

FINISH ALL SURFACES UNLESS OTHERWISE NOTED SHALL BE BREAK ALL SHARP EDGES UNLESS OTHERWISE SPECIFIED.

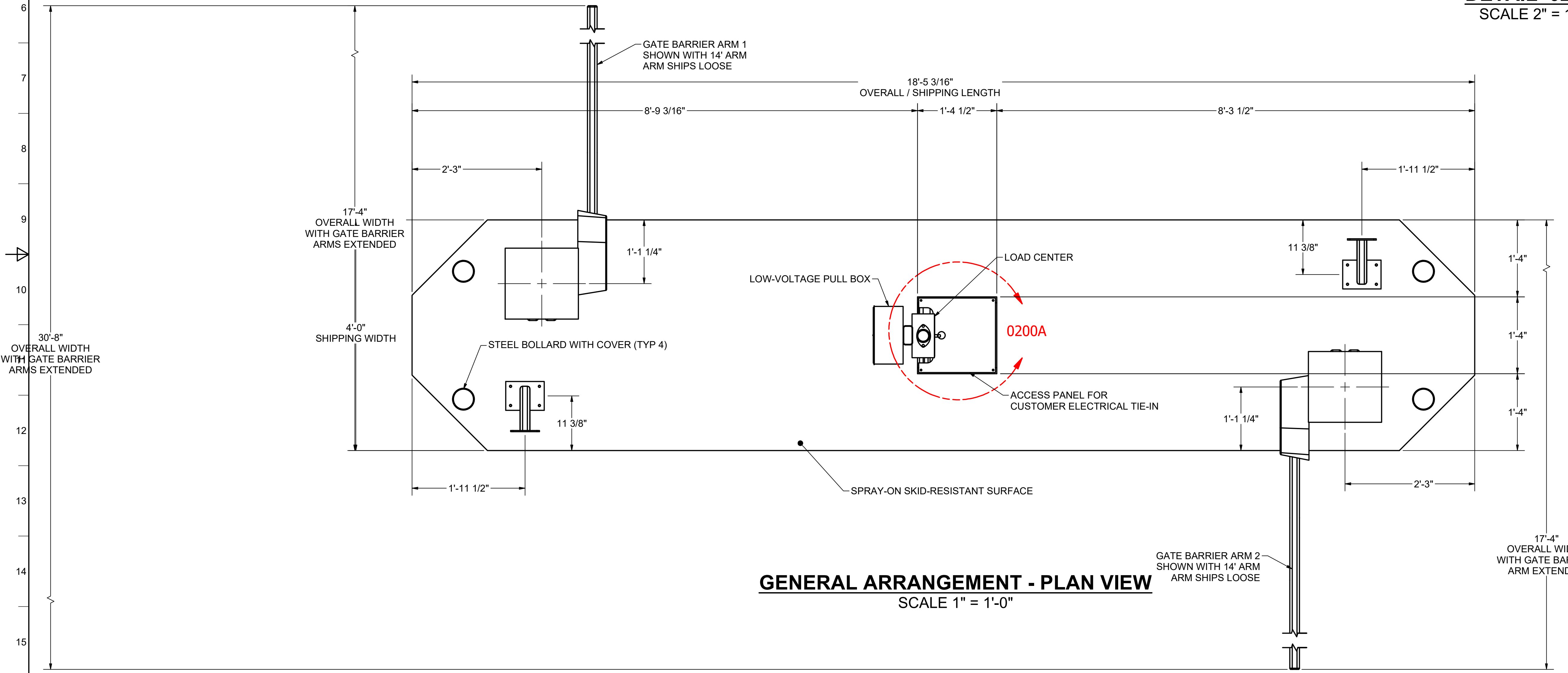
TOLERANCES ON ALL DIMENSIONS UNLESS OTHERWISE NOTED SHALL BE:  
 ONE PLACE DECIMAL ±0.03  
 TWO PLACE DECIMAL ±0.005  
 THREE PLACE DECIMAL ±0.005  
 ANGULAR ±1°

SCALE: N.T.S.  
DRAWING #: V2BX-0101

A B C D E F G H I J K L M N O P Q R S T U V W X Y Z



**DETAIL 0200A**  
SCALE 2" = 1'-0"



**GENERAL ARRANGEMENT - PLAN VIEW**  
SCALE 1" = 1'-0"

4	DATE	6/5/2017
3	BY	REA
2	CHECKED	JOC
1	ENG. APPR.	
	SALES APPR.	
	MFG. APPR.	
	Q.A.	
	SCALE	1" = 1'-0"
	DRAWING #	V2BX-0200

COMMENTS:  
 FINISH ALL SURFACES UNLESS OTHERWISE SPECIFIED.  
 BREAK ALL SHARP EDGES UNLESS OTHERWISE SPECIFIED.  
 TOLERANCES ON ALL DIMENSIONS UNLESS OTHERWISE NOTED SHALL BE:  
 ONE PLACE DECIMAL ± 0.03  
 THREE PLACE DECIMAL ± 0.005  
 FRACTIONAL ± 1/16"  
 ANGULAR ± 1°

Patent pending with additional patents pending in the U.S. and Worldwide

NO.	DATE	BY	DESCRIPTION
1	9/22/2021	JOC	MANUFACTURING REVISIONS
0	9/14/2021	REA	INITIAL RELEASE

TITLE: GENERAL ARRANGEMENT - PLAN VIEW

PROJECT #	CUSTOMER	MSSI STANDARDS	PROJECT

**MSSI**  
Modular Security Systems



THIRD ANGLE PROJECTION	SHEET SIZE
	ANSI D

THIS DOCUMENT CONTAINS INFORMATION THAT IS CONFIDENTIAL AND PROPRIETARY TO MODULAR SECURITY SYSTEMS, INC. THIS DOCUMENT IS FURNISHED ON THE UNDERSTANDING THAT THE DOCUMENT AND THE INFORMATION IT CONTAINS WILL NOT BE REPRODUCED OR DISCLOSED TO OTHERS WITHOUT THE WRITTEN CONSENT OF MODULAR SECURITY SYSTEMS, INC. OR USED FOR ANY PURPOSE OTHER THAN CONDUCTING BUSINESS WITH MODULAR SECURITY SYSTEMS, INC., AND WILL BE RETURNED AND ALL FURTHER USE DISCONTINUED UPON REQUEST BY MODULAR SECURITY SYSTEMS, INC. COPYRIGHT MODULAR SECURITY SYSTEMS, INC. FIRST YEAR COPYRIGHT IS FIRST YEAR INDICATED ON THIS DOCUMENT. ALL RIGHTS RESERVED.

A B C D E F G H I J K L M N O P Q R S T U V W X Y Z