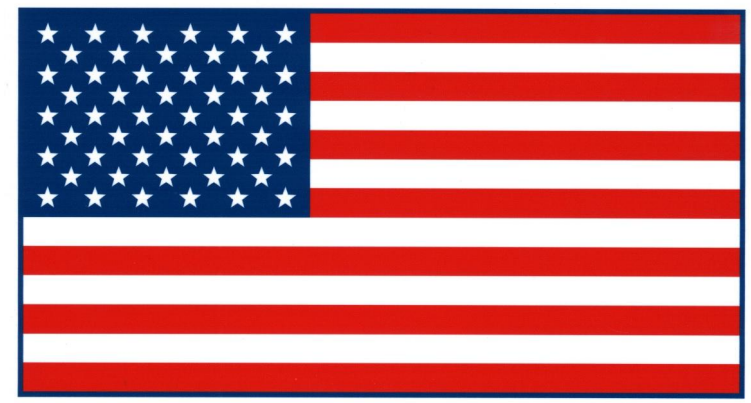
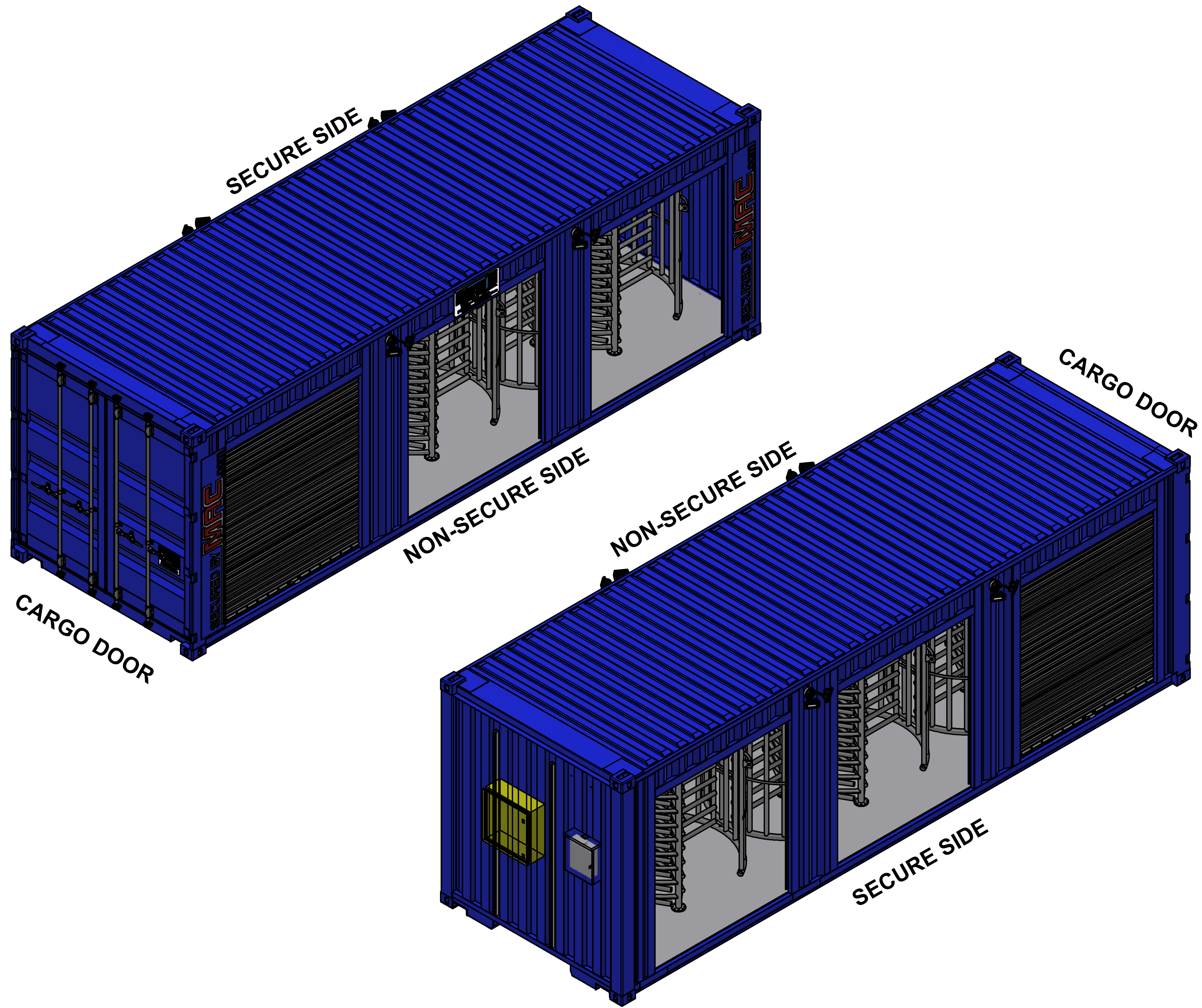


A

B

C

D



MADE IN THE USA
IRONTON, OH | WORTHINGTON, KY | WURLAND, KY



MODULAR SECURITY SYSTEMS, INC.

801 SCOTT STREET
 WORTHINGTON, KY 41183
 (740) 532-7822
 WWW.SECUREDBYMAC.COM

THIS DOCUMENT CONTAINS INFORMATION THAT IS CONFIDENTIAL AND PROPRIETARY TO MODULAR SECURITY SYSTEMS, INC. THIS DOCUMENT IS FURNISHED ON THE UNDERSTANDING THAT THE DOCUMENT AND THE INFORMATION IT CONTAINS WILL NOT BE REPRODUCED OR DISCLOSED TO OTHERS WITHOUT THE WRITTEN CONSENT OF MODULAR SECURITY SYSTEMS, INC. OR USED FOR ANY PURPOSE OTHER THAN CONDUCTING BUSINESS WITH MODULAR SECURITY SYSTEMS, INC. AND WILL BE RETURNED AND ALL FURTHER USE DISCONTINUED UPON REQUEST BY MODULAR SECURITY SYSTEMS, INC. COPYRIGHT MODULAR SECURITY SYSTEMS, INC. FIRST YEAR COPYRIGHT IS FIRST YEAR INDICATED ON THIS DOCUMENT. ALL RIGHTS RESERVED.

THIS MSSI PRODUCT IS COVERED BY ONE OR MORE OF THE FOLLOWING PATENTS:

- US 9,404,278; US 9,051,748;
- US 8,671,624; US 8,015,754;
- US 7,762,025; 7,823,338;
- CA 2,587,968; CA 2,682,764;
- EP 1812666; DZ 5173; EG 25627;
- NG RPNG/C/C2007/737;
- EP 2137356

CUSTOMER
 MSSI STANDARD

PROJECT
 MAC6T

DRAWING NUMBER
 M6TX

DRAWN DATE
 RARCHER 1/25/2021

REVIEW DATE
 JSTURM 1/25/2021

REV	DESCRIPTION	DRAWN REVIEW	DATE
A	MANUFACTURING REVISIONS	TDS JOC	7/22/21 7/22/21

**ISOMETRICS
 ROOF ON**

SHEET NUMBER
M6TX-0100

A

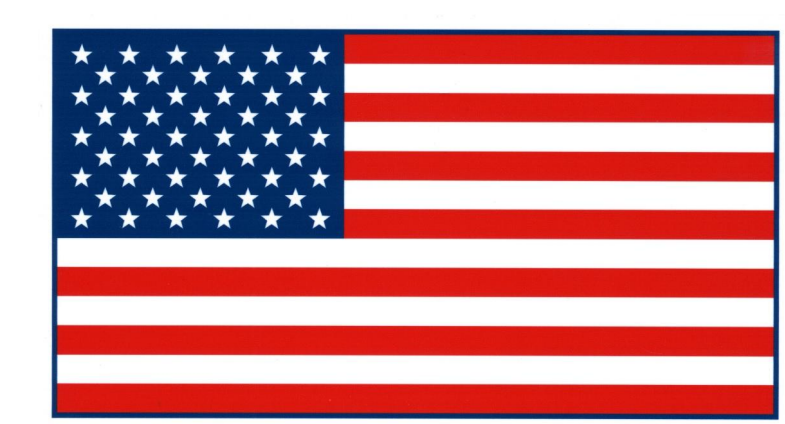
B

C

D

SERVED FROM: CUSTOMER		LOAD CENTER		PHASE: 1		10,000 MINIMUM RMS	
ENCLOSURE RATING: NEMA 3B	AMPERE RATING: 100 A	VOLTAGE (L-L): 240	PHASE: 2	VOLTAGE (L-N): 120	SYMMETRICAL A/F RATING		
	MAIN BREAKER: 100 A						

SECURED BY **MAC**.com



MADE IN THE USA
 IRONTON, OH | WORTHINGTON, KY | WURLAND, KY



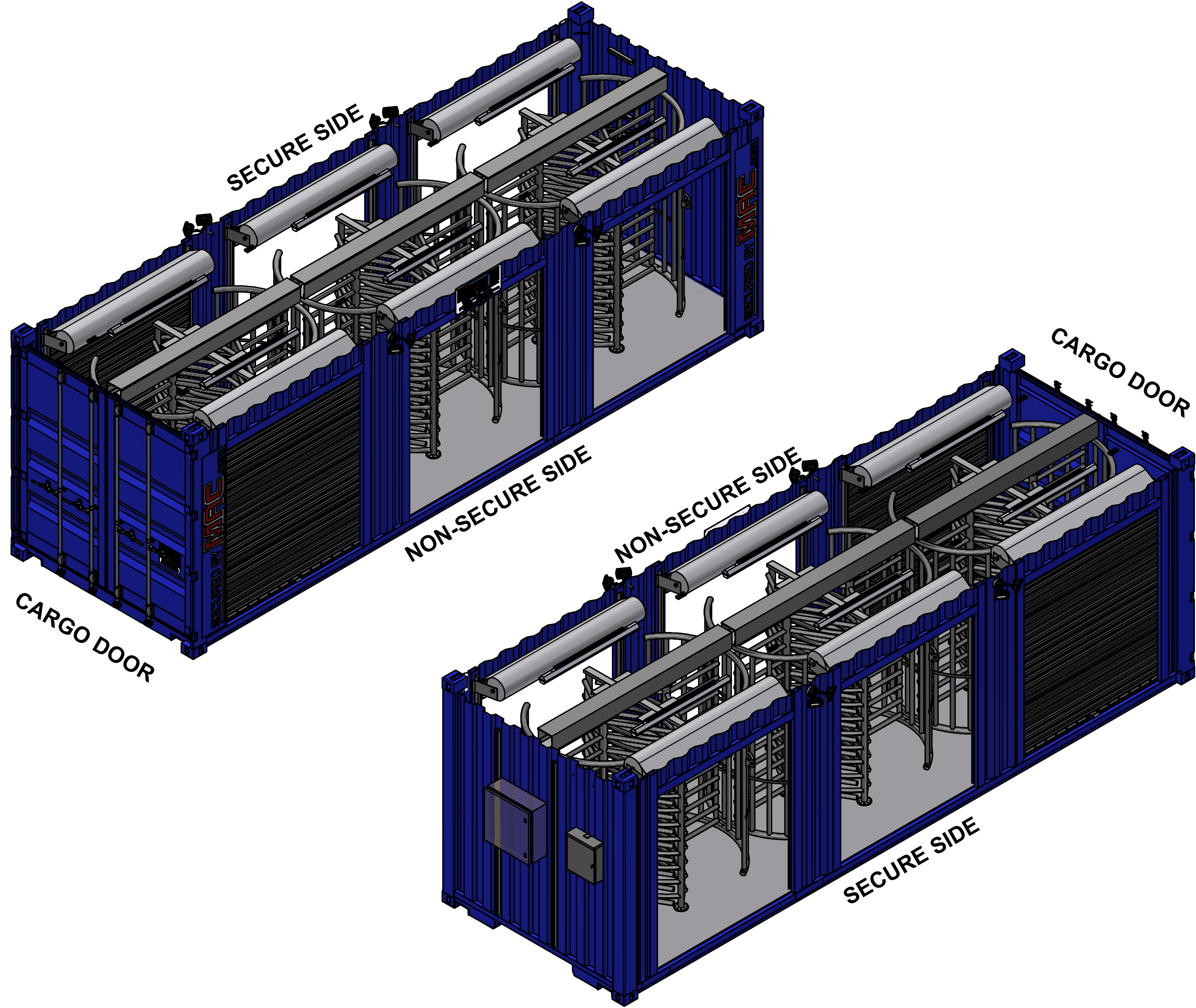
MODULAR SECURITY SYSTEMS, INC.

801 SCOTT STREET
 WORTHINGTON, KY 41183
 (740) 532-7822
 WWW.SECUREDBYMAC.COM

THIS DOCUMENT CONTAINS INFORMATION THAT IS CONFIDENTIAL AND PROPRIETARY TO MODULAR SECURITY SYSTEMS, INC. THIS DOCUMENT IS FURNISHED ON THE UNDERSTANDING THAT THE DOCUMENT AND THE INFORMATION IT CONTAINS WILL NOT BE REPRODUCED OR DISCLOSED TO OTHERS WITHOUT THE WRITTEN CONSENT OF MODULAR SECURITY SYSTEMS, INC. OR USED FOR ANY PURPOSE OTHER THAN CONDUCTING BUSINESS WITH MODULAR SECURITY SYSTEMS, INC. AND WILL BE RETURNED AND ALL FURTHER USE DISCONTINUED UPON REQUEST BY MODULAR SECURITY SYSTEMS, INC. COPYRIGHT MODULAR SECURITY SYSTEMS, INC. FIRST YEAR COPYRIGHT IS FIRST YEAR INDICATED ON THIS DOCUMENT. ALL RIGHTS RESERVED.

THIS MSSI PRODUCT IS COVERED BY ONE OR MORE OF THE FOLLOWING PATENTS:

US 9,404,278; US 9,051,748;
 US 8,671,624; US 8,015,754;
 US 7,762,025; 7,823,338;
 CA 2,587,968; CA 2,682,764;
 EP 1812666; DZ 5173; EG 25627;
 NG RPNG/C/C2007/737;
 EP 2137356



CUSTOMER
 MSSI STANDARD

PROJECT
 MAC6T

DRAWING NUMBER
 M6TX

DRAWN DATE
 RARCHER 1/25/2021

REVIEW DATE
 JSTURM 1/25/2021

REV	DESCRIPTION	DRAWN REVIEW	DATE
A	MANUFACTURING REVISIONS	TDS JOC	7/22/21 7/22/21

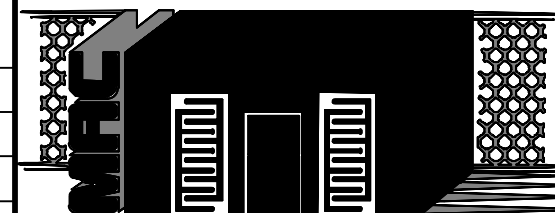
ISOMETRICS
 ROOF OFF

SHEET NUMBER
 M6TX-0101

ORIGINAL SHEET SIZE = 22 IN X 34 IN (ANSI D)

FINISH SCHEDULE

SPACE	MATERIALS	WALLS	CEILING	FLOOR	NOTES
TURNSTILE BAY	FRAMING	N/A	N/A	EXISTING CONTAINER PURLINS	N/A
	INSULATION	N/A	N/A	N/A	N/A
	SUBSURFACE	N/A	N/A	EXISTING 1-1/8" PLYWOOD	N/A
	SURFACE	PAINTED STEEL	PAINTED STEEL	SPRAY-ON SKID-RESISTANT	N/A



MODULAR SECURITY SYSTEMS, INC.

801 SCOTT STREET
 WORTHINGTON, KY 41183
 (740) 532-7822
 WWW.SECUREDBYMAC.COM

THIS DOCUMENT CONTAINS INFORMATION THAT IS CONFIDENTIAL AND PROPRIETARY TO MODULAR SECURITY SYSTEMS, INC. THIS DOCUMENT IS FURNISHED ON THE UNDERSTANDING THAT THE DOCUMENT AND THE INFORMATION IT CONTAINS WILL NOT BE REPRODUCED OR DISCLOSED TO OTHERS WITHOUT THE WRITTEN CONSENT OF MODULAR SECURITY SYSTEMS, INC. OR USED FOR ANY PURPOSE OTHER THAN CONDUCTING BUSINESS WITH MODULAR SECURITY SYSTEMS, INC. AND WILL BE RETURNED AND ALL FURTHER USE DISCONTINUED UPON REQUEST BY MODULAR SECURITY SYSTEMS, INC. COPYRIGHT MODULAR SECURITY SYSTEMS, INC. FIRST YEAR COPYRIGHT IS FIRST YEAR INDICATED ON THIS DOCUMENT. ALL RIGHTS RESERVED.

THIS MSSI PRODUCT IS COVERED BY ONE OR MORE OF THE FOLLOWING PATENTS:

US 9,404,278; US 9,051,748;
 US 8,671,624; US 8,015,754;
 US 7,762,025; 7,823,338;
 CA 2,587,968; CA 2,682,764;
 EP 1812666; DZ 5173; EG 25627;
 NG RPNG/C/C2007/737;
 EP 2137356

CUSTOMER
 MSSI STANDARD

PROJECT
 MAC6T

DRAWING NUMBER
 M6TX

DRAWN DATE
 RARCHER 1/25/2021

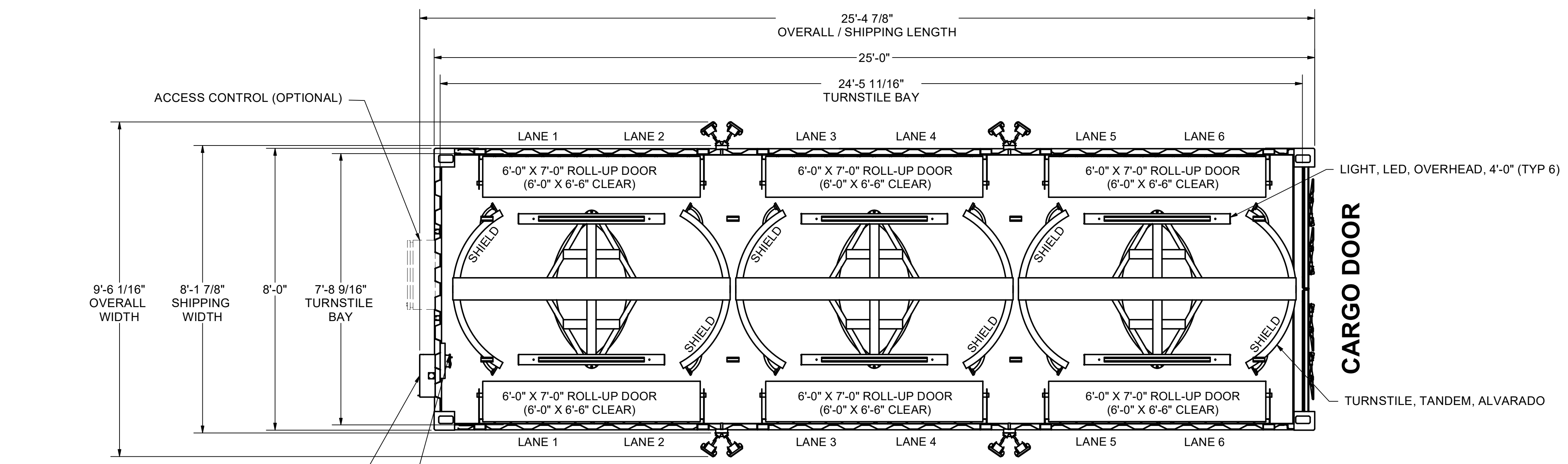
REVIEW DATE
 JSTURM 1/25/2021

REV	DESCRIPTION	DRAWN REVIEW	DATE
A	MANUFACTURING REVISIONS	TDS JOC	7/22/21 7/22/21

GENERAL ARRANGEMENT PLAN

SHEET NUMBER
 M6TX-0200

NON-SECURE SIDE



SECURE SIDE

GENERAL ARRANGEMENT PLAN

SCALE: 1/2" = 1'-0"

ORIGINAL SHEET SIZE = 22 IN X 34 IN (ANSI D)