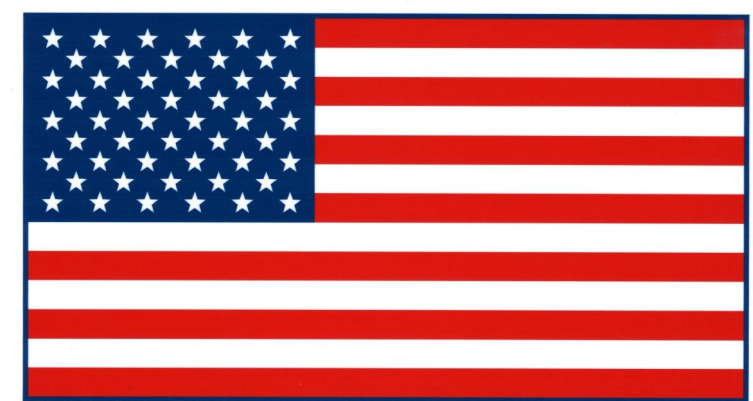
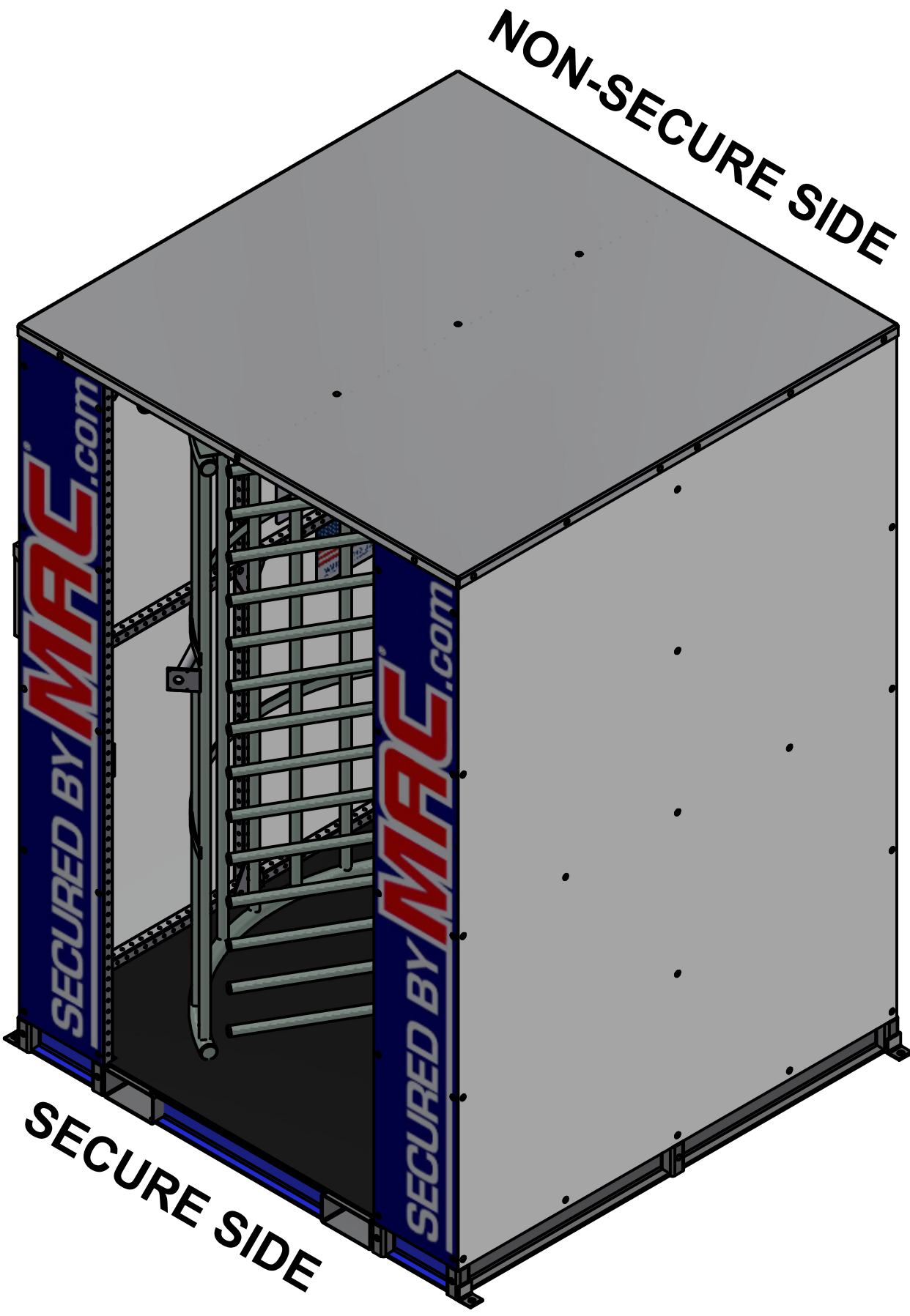
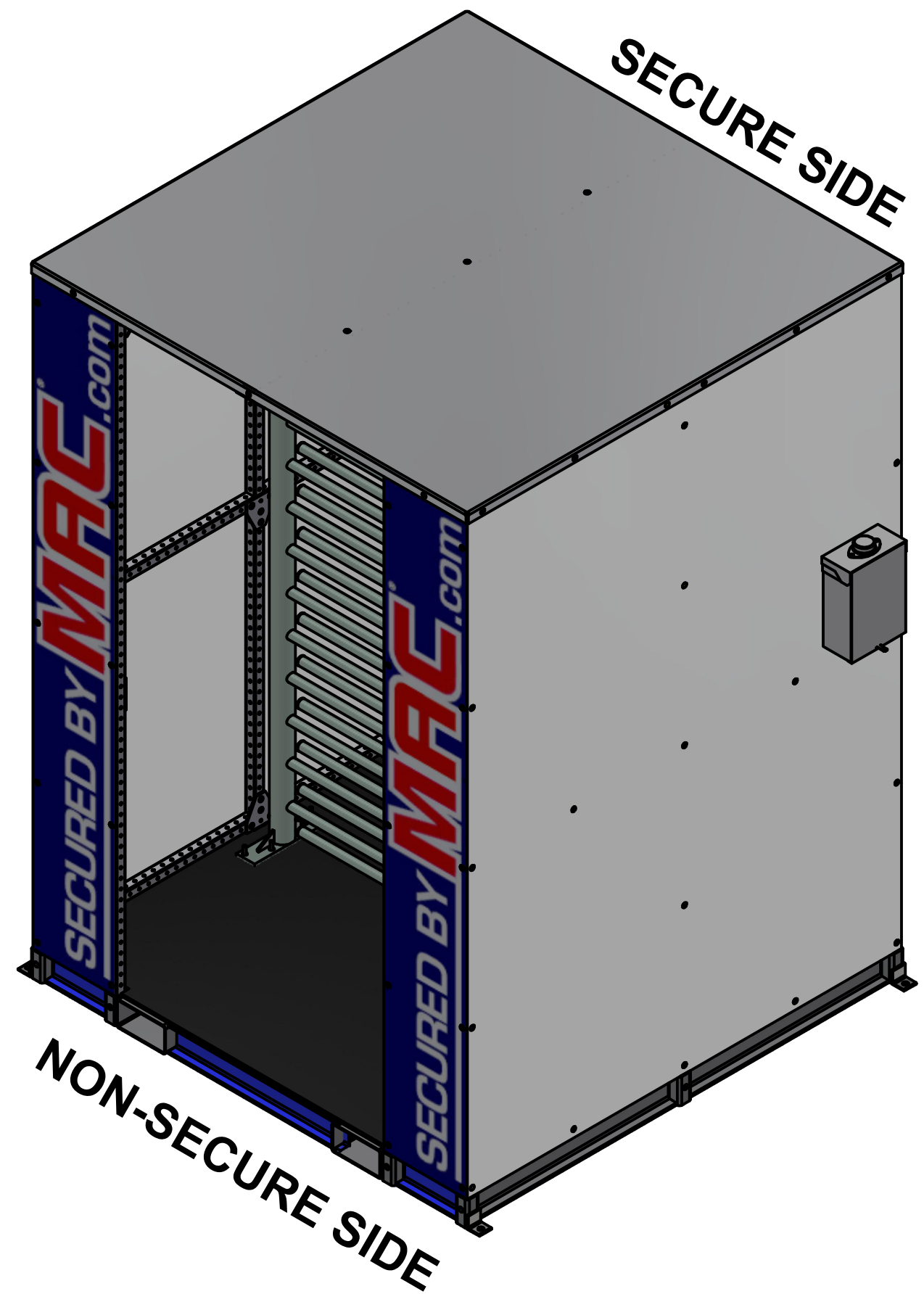
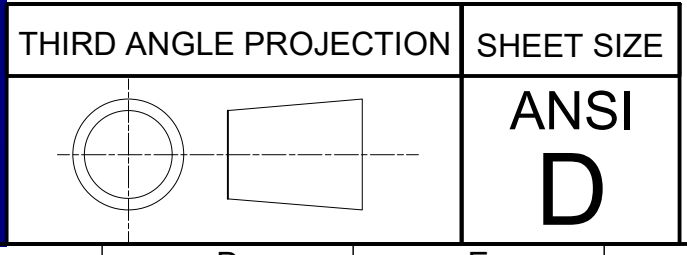


SECURED BY MAC.com



MADE IN THE USA
 IRONTON, OH | WORTHINGTON, KY | WURLAND, KY



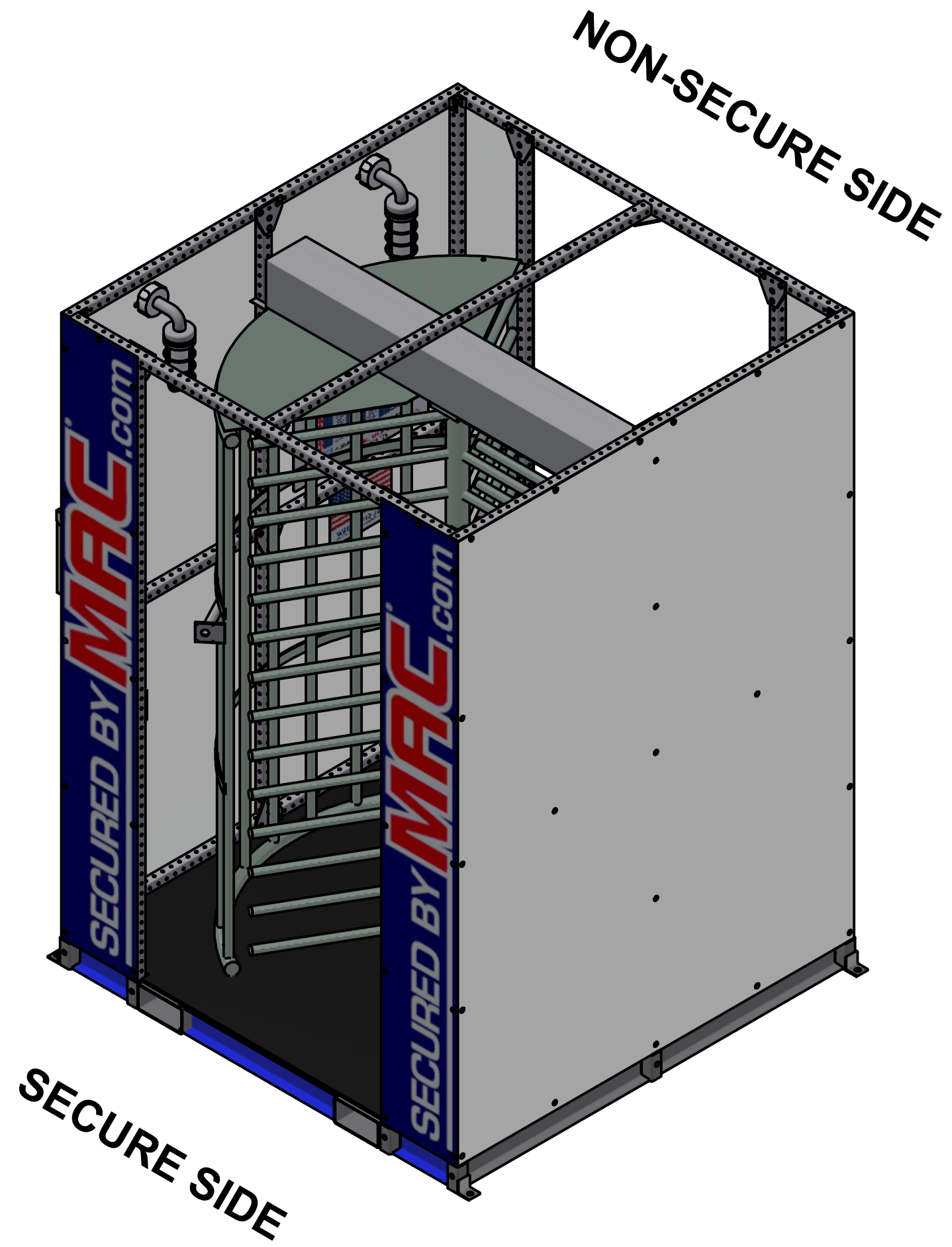
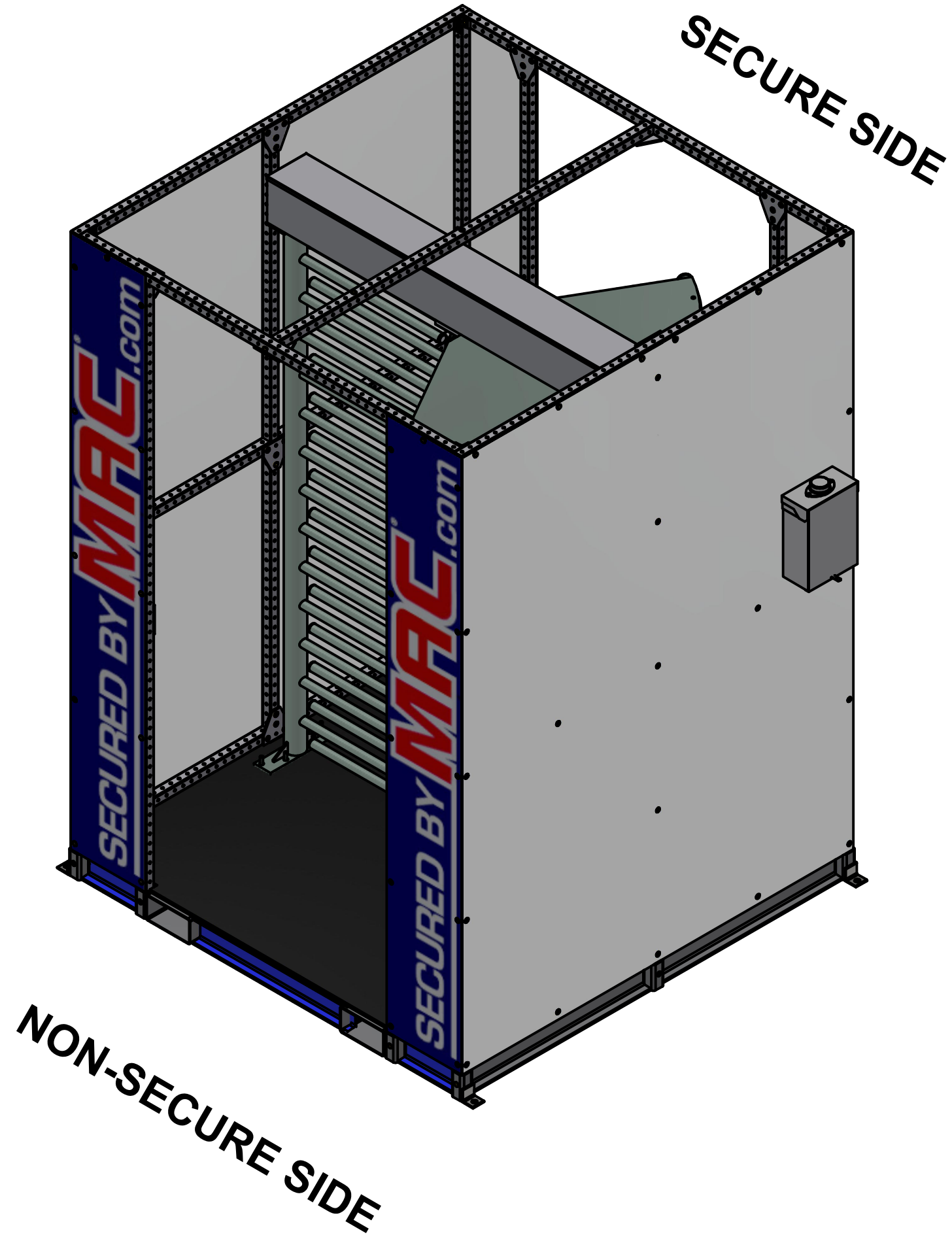
ISOMETRIC SHEET



THIS MSSI PRODUCT IS COVERED BY ONE OR MORE OF THE FOLLOWING PATENTS:
 US 9,404,278; US 9,051,748; US 8,671,624; US 8,015,754; US 7,762,025; 7,823,338;
 CA 2,587,968; CA 2,682,764; EP 1812666; DZ 5173; EG 25627; NG RPNG/C/C2007/737; EP 2137356

THIS DOCUMENT CONTAINS INFORMATION THAT IS CONFIDENTIAL AND PROPRIETARY TO MODULAR SECURITY SYSTEMS, INC. THIS DOCUMENT IS FURNISHED ON THE UNDERSTANDING THAT THE DOCUMENT AND THE INFORMATION IT CONTAINS WILL NOT BE REPRODUCED OR DISCLOSED TO OTHERS WITHOUT THE WRITTEN CONSENT OF MODULAR SECURITY SYSTEMS, INC. OR USED FOR ANY PURPOSE OTHER THAN CONDUCTING BUSINESS WITH MODULAR SECURITY SYSTEMS, INC., AND WILL BE RETURNED AND ALL FURTHER USE DISCONTINUED UPON REQUEST BY MODULAR SECURITY SYSTEMS, INC. COPYRIGHT MODULAR SECURITY SYSTEMS, INC. FIRST YEAR COPYRIGHT IS FIRST YEAR INDICATED ON THIS DOCUMENT. ALL RIGHTS RESERVED.

| | | | | | |
|-------------------------------|------------|-----------------------------------|---|---------------------------------|--|
| PROJECT NO M19-012 | | CUSTOMER MSSI STANDARDS | | TITLE ISOMETRIC SHEET | |
| PROJECT MAC1 - LITE | | MSSI Modular Security Systems | | REVISIONS | |
| NO. | DATE | BY | DESCRIPTION | | |
| F | 2/27/2020 | NSM | MANUFACTURING REVISION | | |
| E | 2/27/2020 | JOY | MANUFACTURING REVISION | | |
| D | 11/11/2019 | NSM | MANUFACTURING REVISION | | |
| C | 8/28/2019 | NSM | MANUFACTURING RELEASE | | |
| B | 7/15/2019 | NSM | PROTOTYPE REVISIONS | | |
| DRAWN NSM | | | DATE 1/18/2019 | | |
| CHECKED JES | | | DATE 2/27/2020 | | |
| ENG. APPR. JES | | | DATE 2/27/2020 | | |
| SALES APPR. | | | MFG. APPR. | | |
| O.A. | | | N.T.S. | | |
| SCALE | | | DWG NO M19-012-M1LX-0100 | | |
| COMMENTS: | | | TOLERANCES ON ALL DIMENSIONS UNLESS OTHERWISE NOTED SHALL BE: ONE PLACE DECIMAL ±0.03 TWO PLACE DECIMAL ±0.005 THREE PLACE DECIMAL ±0.005 ANGULAR ±1° | | |



THIS MSSSI PRODUCT IS COVERED BY ONE OR MORE OF THE FOLLOWING PATENTS:

US 9,404,278; US 9,051,748; US 8,671,624; US 8,015,754; US 7,762,025; 7,823,338;
 CA 2,587,968; CA 2,682,764; EP 1812666; DZ 5173; EG 25627; NG RPNG/C/C2007/737; EP 2137356

THIS DOCUMENT CONTAINS INFORMATION THAT IS CONFIDENTIAL AND PROPRIETARY TO MODULAR SECURITY SYSTEMS, INC. THIS DOCUMENT IS FURNISHED ON THE UNDERSTANDING THAT THE DOCUMENT AND THE INFORMATION IT CONTAINS WILL NOT BE REPRODUCED OR DISCLOSED TO OTHERS WITHOUT THE WRITTEN CONSENT OF MODULAR SECURITY SYSTEMS, INC. OR USED FOR ANY PURPOSE OTHER THAN CONDUCTING BUSINESS WITH MODULAR SECURITY SYSTEMS, INC., AND WILL BE RETURNED AND ALL FURTHER USE DISCONTINUED UPON REQUEST BY MODULAR SECURITY SYSTEMS, INC. COPYRIGHT MODULAR SECURITY SYSTEMS, INC. FIRST YEAR COPYRIGHT IS FIRST YEAR INDICATED ON THIS DOCUMENT. ALL RIGHTS RESERVED.

MSSI
 Modular Security Systems

MAC1 - LITE

PROJECT NO: M19-012
 PROJECT: MAC1 - LITE

CUSTOMER: MSSSI STANDARDS

| NO. | DATE | BY | DESCRIPTION |
|-----|------------|-----|------------------------|
| F | 2/27/2020 | NSM | MANUFACTURING REVISION |
| E | 2/27/2020 | JOY | MANUFACTURING REVISION |
| D | 11/11/2019 | NSM | MANUFACTURING REVISION |
| C | 8/26/2019 | NSM | MANUFACTURING RELEASE |
| B | 7/15/2019 | NSM | PROTOTYPE REVISIONS |

TITLE: ISOMETRIC SHEET

| DRAWN | CHECKED | ENG. APPR. | SALES APPR. | MFG. APPR. | O.A. | SCALE | N.T.S | DWG NO |
|-------|---------|------------|-------------|------------|------|-------|-------|-------------------|
| NSM | JES | JES | | | | | | M19-012-M1LX-0101 |

| BY | DATE |
|-----|-----------|
| NSM | 1/18/2019 |
| JES | 2/27/2020 |
| JES | 2/27/2020 |

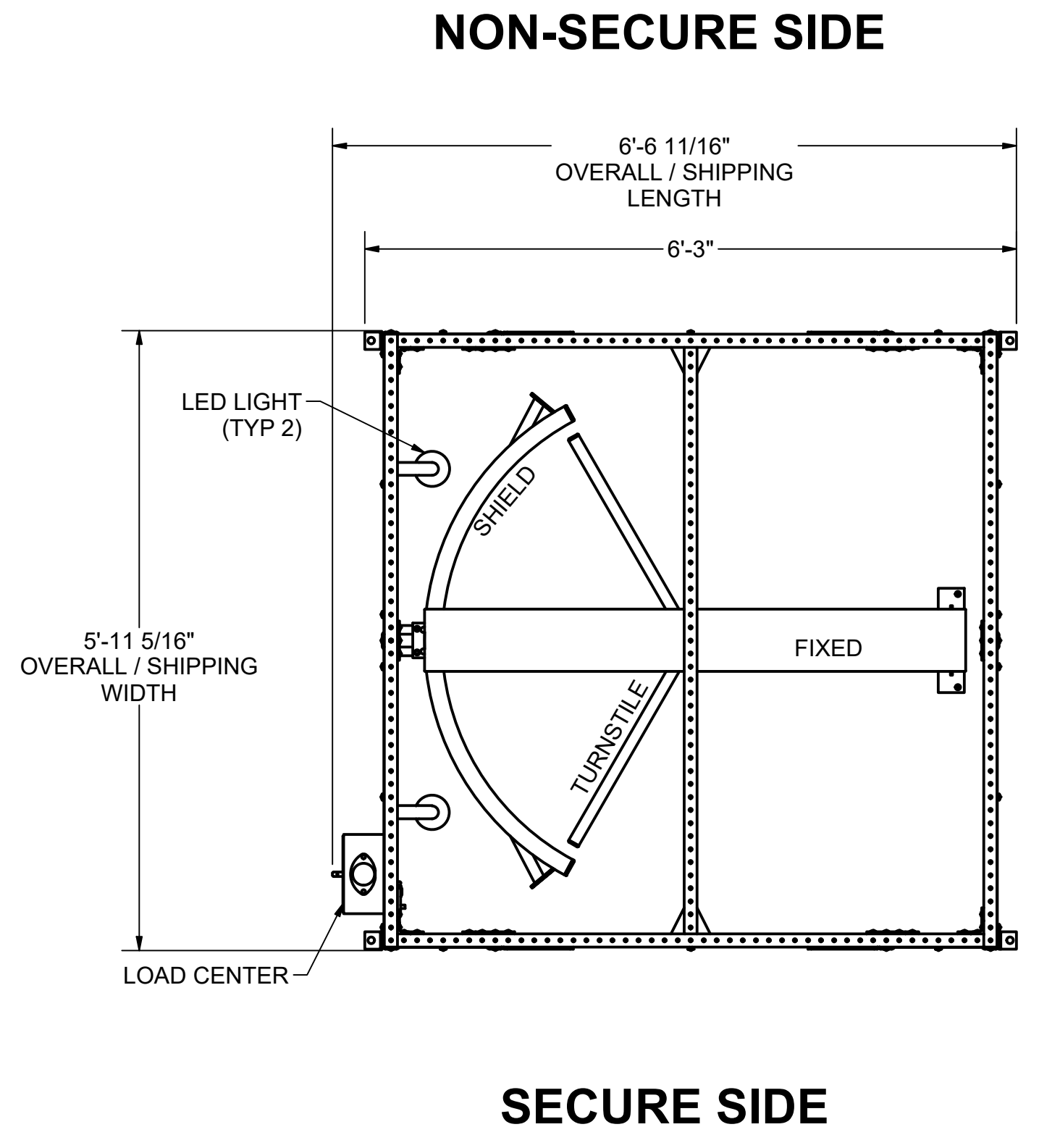
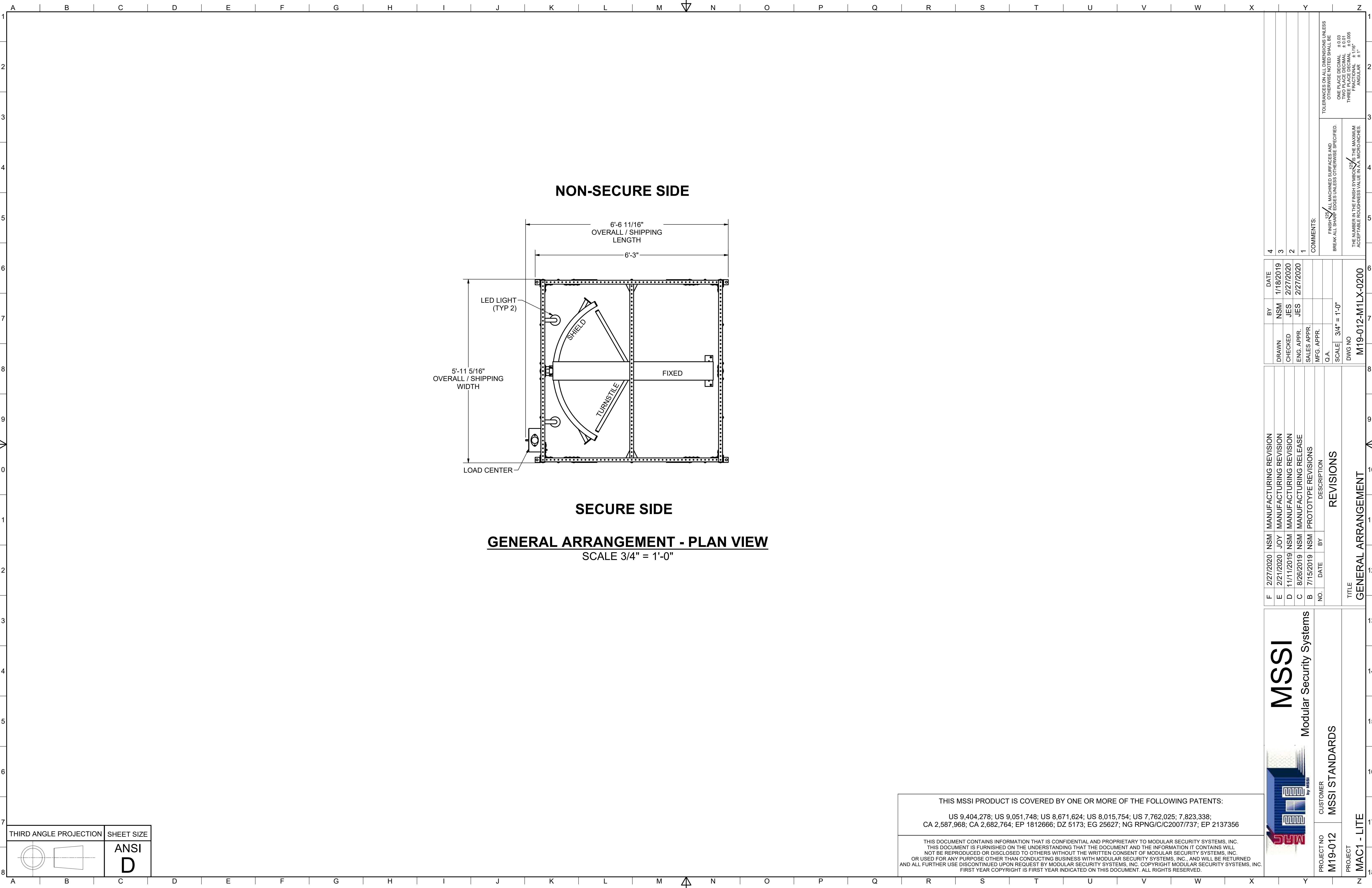
COMMENTS:

FINISH ALL SURFACES UNLESS OTHERWISE NOTED SHALL BE BREAK ALL SHARP EDGES UNLESS OTHERWISE SPECIFIED.

THE NUMBER IN THE FINISH SYMBOL IS THE MAXIMUM ACCEPTABLE ROUGHNESS VALUE IN A.A. MICRO-INCHES.

TOLERANCES ON ALL DIMENSIONS UNLESS OTHERWISE NOTED SHALL BE:

ONE PLACE DECIMAL ± 0.03
 TWO PLACE DECIMAL ± 0.005
 THREE PLACE DECIMAL ± 0.005
 ANGULAR ± 1°



GENERAL ARRANGEMENT - PLAN VIEW
SCALE 3/4" = 1'-0"

| | |
|------------------------|---------------|
| THIRD ANGLE PROJECTION | SHEET SIZE |
| | ANSI D |

THIS MSSSI PRODUCT IS COVERED BY ONE OR MORE OF THE FOLLOWING PATENTS:

US 9,404,278; US 9,051,748; US 8,671,624; US 8,015,754; US 7,762,025; 7,823,338;
CA 2,587,968; CA 2,682,764; EP 1812666; DZ 5173; EG 25627; NG RPNG/C/C2007/737; EP 2137356

THIS DOCUMENT CONTAINS INFORMATION THAT IS CONFIDENTIAL AND PROPRIETARY TO MODULAR SECURITY SYSTEMS, INC. THIS DOCUMENT IS FURNISHED ON THE UNDERSTANDING THAT THE DOCUMENT AND THE INFORMATION IT CONTAINS WILL NOT BE REPRODUCED OR DISCLOSED TO OTHERS WITHOUT THE WRITTEN CONSENT OF MODULAR SECURITY SYSTEMS, INC. OR USED FOR ANY PURPOSE OTHER THAN CONDUCTING BUSINESS WITH MODULAR SECURITY SYSTEMS, INC., AND WILL BE RETURNED AND ALL FURTHER USE DISCONTINUED UPON REQUEST BY MODULAR SECURITY SYSTEMS, INC. COPYRIGHT MODULAR SECURITY SYSTEMS, INC. FIRST YEAR COPYRIGHT IS FIRST YEAR INDICATED ON THIS DOCUMENT. ALL RIGHTS RESERVED.

| | | |
|---|--------------|------------------------------------|
| MSSI Modular Security Systems | CUSTOMER | MSSI STANDARDS |
| | PROJECT NO | M19-012 |
| | PROJECT | MAC1 - LITE |
| | TITLE | |
| GENERAL ARRANGEMENT | | DWG NO M19-012-M1LX-0200 |
| NO. | DATE | BY |
| F | 2/27/2020 | NSM |
| E | 2/21/2020 | JOY |
| D | 11/11/2019 | NSM |
| C | 8/26/2019 | NSM |
| B | 7/15/2019 | NSM |
| DESCRIPTION | | |
| REVISIONS | | |
| DRAWN | BY | DATE |
| CHECKED | JES | 2/27/2020 |
| ENG. APPR. | JES | 2/27/2020 |
| SALES APPR. | | |
| MFG. APPR. | | |
| O.A. | 3/4" = 1'-0" | |
| SCALE | | |
| TOLERANCES ON ALL DIMENSIONS UNLESS OTHERWISE NOTED SHALL BE: ONE PLACE DECIMAL ± 0.03 TWO PLACE DECIMAL ± 0.005 THREE PLACE DECIMAL ± 0.005 ANGULAR ± 1° | | |
| COMMENTS: FINISH ALL SURFACES UNLESS OTHERWISE SPECIFIED. BREAK ALL SHARP EDGES UNLESS OTHERWISE SPECIFIED. THE NUMBER IN THE FINISH SYMBOL IS THE MAXIMUM ACCEPTABLE ROUGHNESS VALUE IN A.A. MICROINCHES. | | |