

**SUPPLY**  
24VDC

**RELAYS**  
CONTACT RATING  
6A @ 250VAC.  
6A @ 30VDC, 0.12A @ 220VDC.

MINIMUM SWITCHING LOAD  
500mW (12V/10mA).

COIL TO CONTACT INSULATION  
6kV.

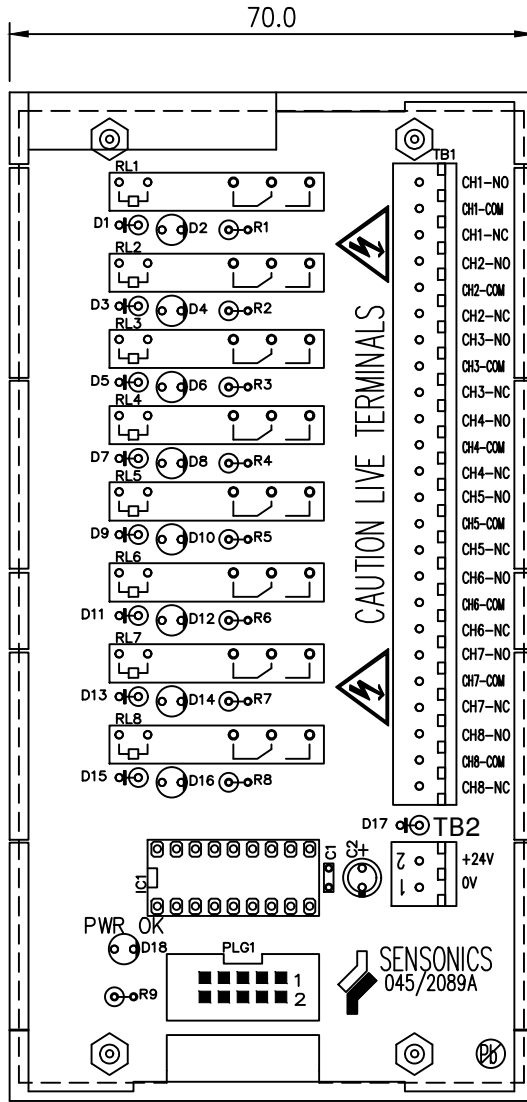
TOTAL POWER CONSUMPTION  
1.4W MAX.

RELAY LED'S  
GREEN LIT WHEN RELAYS  
ARE ENERGISED

POWER LED  
GREEN LIT WHEN UNIT  
IS OPERATIONAL

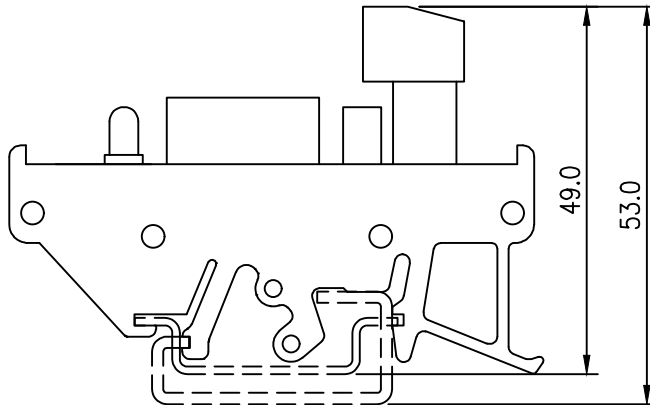
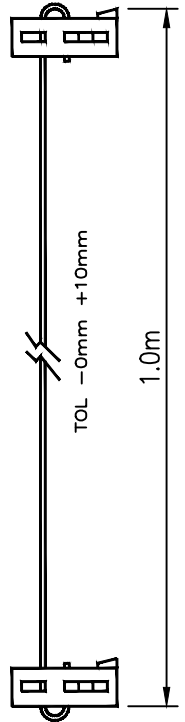
OPERATING TEMPERATURE  
-20°C TO +65°C

**NOTE:-**  
IF UNIT IS LOCALLY POWERED  
VIA TB2 THEN THE SUPPLY  
LINK ON THE BACK OF THE  
RACK MUST BE REMOVED.



RELAY CONTACTS  
SHOWN IN  
DE-ENERGISED  
CONDITION

SUPPLIED WITH 10 WAY RIBBON CABLE



FOR PARTS LIST SEE 046/5861A/4  
FOR ASSEMBLY SEE EA3532A

TS32 OR TS35 DIN RAIL MOUNTING

ISSUE	2
DATE	4.5.2018
CN. No.	CN.4270
MOD BY	D.WELBOURN
CHECKED	R.KING
CHANGE NOTES	

PROJ.ENG.	D.SIPOS	SCALE	1:1
DRAWN	D.WELBOURN	DIM'NS	mm
CHECKED	D.SIPOS	DATE	20.1.2010
CUST.REF.	10335	SHEET No.	SHT 1 OF 1

		NORTHBRIDGE ROAD, BERKHAMSTED, HERTS, HP4 1EF, ENGLAND Tel : +44 (0)1442 876833 Fax : +44 (0)1442 876477	
TITLE SENTRY G3 8 RELAY EXPANSION CARD HOUSED IN RAFT COMPLETE WITH 1m CABLE			
THIS DOCUMENT IS SUBJECT TO THE CONDITIONS IN THE ENCLOSED MEMO DS 742		DRAWING No. <b>IS.4031/2</b>	ISSUE <b>2</b>