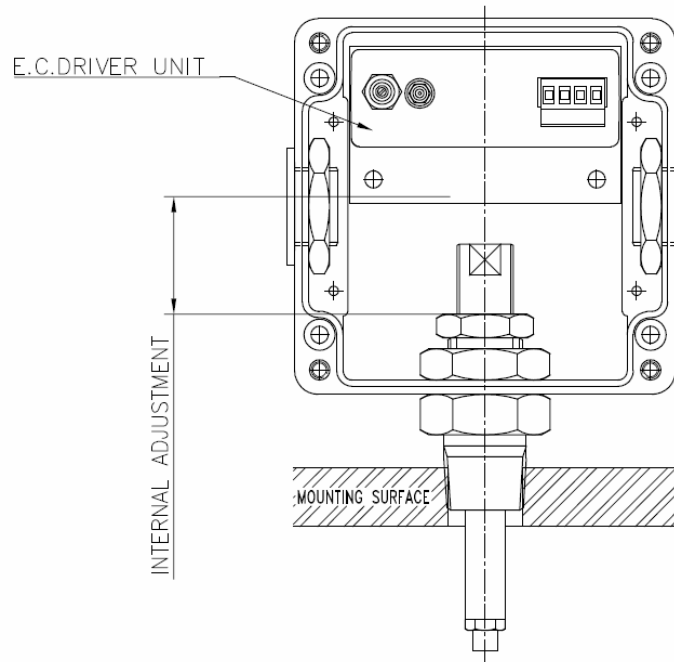


## ECPAC Proximity Transducer Assembly



- Self-contained proximity probe system
- Measuring range 2.5 or 4mm
- Non contact measurement of static or dynamic surfaces
- Standard reverse mount probe pre-assembled
- Peek encapsulated tip, impervious to oil or water ingress
- Proximity Driver pre-assembled
- Machine case direct installation
- Intrinsically safe options available

The ECPAC Assembly contains our proximity driver inside the housing's cover. This design makes the ECPAC Assembly a completely self-contained proximity probe system, and eliminates the need for an extension cable between the probe and its associated proximity driver. It also eliminates the need for a separate driver housing. For short cable runs, field wiring is connected directly between the monitors and ECPAC Assemblies. For longer cable runs, a junction box is often mounted at or near the machine skid to house terminal strips. The field wiring is connected to terminal strips in the junction box, providing access to proximity driver signals at a convenient location near the machine.

The ECPAC housing is made of Polyphenylene Sulfide (PPS) which is an advanced, moulded thermoplastic. It was chosen specifically to replace previous steel and aluminium housings offered in the Sonsonics product line, and incorporates glass and conductive fibres in the PPS for added strength and electrostatic dissipation. The ECPAC housing is rated at Type 4X and IP66 for extra protection in severe environments.

# ECPAC Proximity Transducer Assembly

## SPECIFICATION

Housing material .....	PPS
Probe Body material .....	Stainless steel
Tip material .....	PEEK with stycast potting
Cable specification .....	RG179 PTFE insulated
Linear range - $\pm 1\%$ of reading .....	0.25 to 2.25mm (For 2.5mm range)
- $\pm 1\%$ of full scale .....	0.125 to 2.5mm (For 2.5mm range)
Sensitivity .....	8mV/ $\mu$ m or (4mV/ $\mu$ m)
Temperature sensitivity - Probe .....	Less than 5% at 150°C
- Driver .....	Less than 5% at 90°C
Output impedance .....	Less than 50 $\Omega$
Interchangeability .....	Less than 5%
Cal pot range .....	$\pm 5\%$ or greater
Operating temperature - Probe .....	-30°C to +18.0°C
- Driver .....	-30°C to +90°C
Survival temperature .....	As operating temperature
Power supply .....	-24Vdc at 30mA nominal
Power supply tolerance .....	-18Vdc to -30Vdc (linear range will be affected)
Frequency range .....	DC to 10kHz
Resolution (restricted by noise, drift & stability) .....	0.002mm
Effect of target curvature .....	+2% for $\phi 150$ mm
.....	+5% for $\phi 25$ mm
Effect of target magnetism .....	Less than 1% at 110mT

## ORDERING INFORMATION

ECPAC - 

--	--

--	--	--	--

--	--

--	--

--	--

### A: Probe Thread and Measuring Range Option

- 00** 3/8"UNF, 2.5mm (8mV/mm)
- 01** 3/8"UNF, 4mm (4mV/mm)
- 10** M10X1, 2.5mm (8mV/mm)
- 11** M10X1, 4mm (4mV/mm)

### B: Standoff Adapter Option

- Order in increments of 0.5in or 10mm
- Minimum length: 1.5in or 40mm
- Maximum length: 7.5in or 200mm
- No standoff adapter = 0 0 0
- Example:
- 0 2 5** = 2.5in (**0** for English)
- 1 0 4** = 40mm (**1** for Metric)

### C: Probe Penetration Option

- Order in increments of 0.1in or 1mm
- Minimum length: 1.0in or 25mm
- Maximum length: 30in or 760mm
- Example:
- 0 0 3 7** = 3.7in (**0** for English)
- 1 0 5 0** = 50mm (**1** for Metric)

For penetration lengths between 1.0 and 2.0 inches, counter bore may be required in machine case to reduce probe side view and/or rear view effects.

### D: Fittings Option

- 0 0** No fittings; two plugs and two washers
- 0 1** One 3/4-14 NPT fitting, two plugs
- 0 2** Two 3/4-14 NPT fittings, one plug
- 0 3** One 3/4-14 NPT fitting, one 3/4-14 NPT to 1/2-14 NPT SST reducer and two plugs
- 1 1** One M25 fitting, two plugs
- 1 2** Two M25 fittings, one plug
- 1 3** One M20 fitting, two plugs
- 1 5** One PG21 to PG11 reducer, two plugs
- 1 6** One 3/4-14 NPT fitting, one 3/4-14 NPT to 1/2-14 NPT SST reducer and two plugs
- 1 7** One PG21 x M20 fitting, two plugs
- 1 8** Two PG21 x M20 fittings, one plug

### E: Mounting Thread Option

- 0 0** No outer sleeve assembly
- 0 1** M24 X 3
- 0 2** 3/4-14 NPT (required if ordering Standoff Adapter Option)
- 0 3** 7/8-14 UNF-2A
- 1 0** Other (to be specified)



**Sensonic Ltd**  
 Northbridge Road  
 Berkhamsted  
 Herts, HP4 1EF  
 United Kingdom  
 Tel: +44 (0)1442 876833  
 Fax: +44 (0)1442 876477  
[www.sensonics.co.uk](http://www.sensonics.co.uk)