

SERVE-OVER COUNTER AND SEMI-VERTICAL



VENEZIA LX



A
R
N
E
G



THE LATEST IN PRODUCT PRESENTATION.

Modern, essential design with products in the foreground and maximum functional versatility: **Venezia LX** refrigerated displays combine serve-over and self-service sales to satisfy the needs of today's most evolved retail stores. Also available with Arneg's exclusive TCOM technology, these advanced displays keep food tasting delicious for longer than ever.



Combined serve-over and self-service functionality offers maximum choice from one integrated space. The deli module is positioned alongside the self-service section, to which a new refrigerated or hot-case tower can be added. Modularity, flexibility and attention to detail: Arneg delivers unforgettable shopping experiences.



Venezia LX comes in various sizes and in counter and semi-vertical versions. This range of displays can satisfy all food presentation needs thanks to its amazing versatility.



TCOM, THE MEDIUM WAVE REVOLUTION.

The latest result of Arneg research, **TCOM** is a patented technology that enhances the quality of hot deli foods safely and efficiently. Thanks to a new medium-wave heating system, **TCOM** maintains a constant and uniform core temperature of 65° without drying food or spoiling its nutritional properties. Operating temperature is reached in only 45 minutes instead of 3 hours, greatly reducing consumption and running costs.

- **Top-quality food preservation**
- **Operating temperature reachable in 45 minutes**
- **Significant reduction in energy costs**

TCOM comes in two versions: with overhead heating and with overhead heating and a heated display shelf. This last configuration totally eliminates pre-heating delays. A special ventilation system cools all glass and metal surfaces, ensuring maximum safety for serving staff and customers. **TCOM** is a plug&play solution and can be integrated with remote management systems.



LX DESIGN: QUALITY TAKES THE STAGE.

Clean, linear and lightweight forms enhance visibility and focus attention on the freshness of the foods. This new design also ensures a uniform look with other Arneg LX cabinets.



SPACE IN RESERVE.

Venezia LX is also available with a reserve section that provides instant access to reserve stock. This extra space is integrated inside the display without increasing its footprint, enhancing its functionality and improving its ability to adapt to different store requirements.





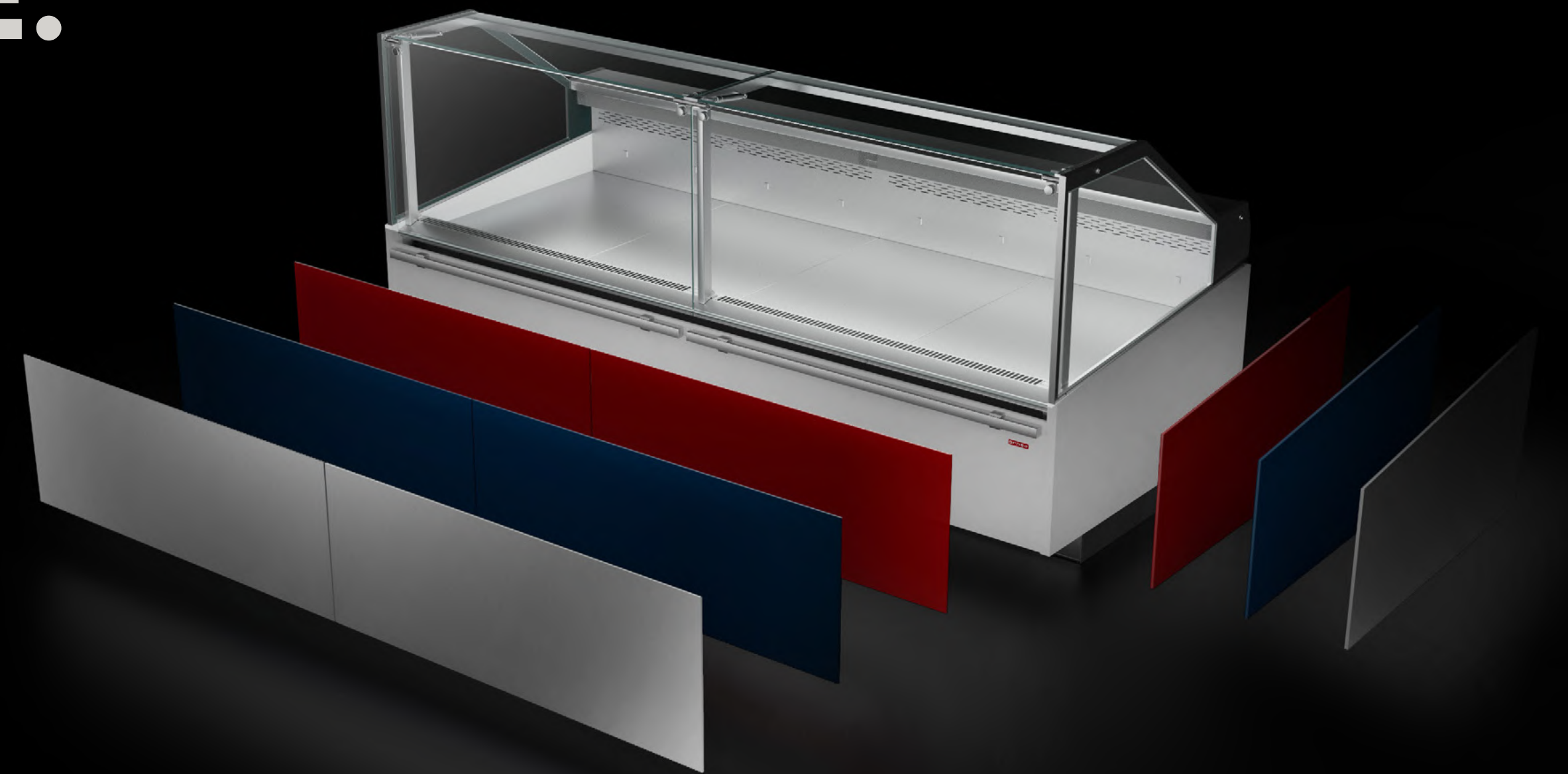
MAXIMUM INSULATION.

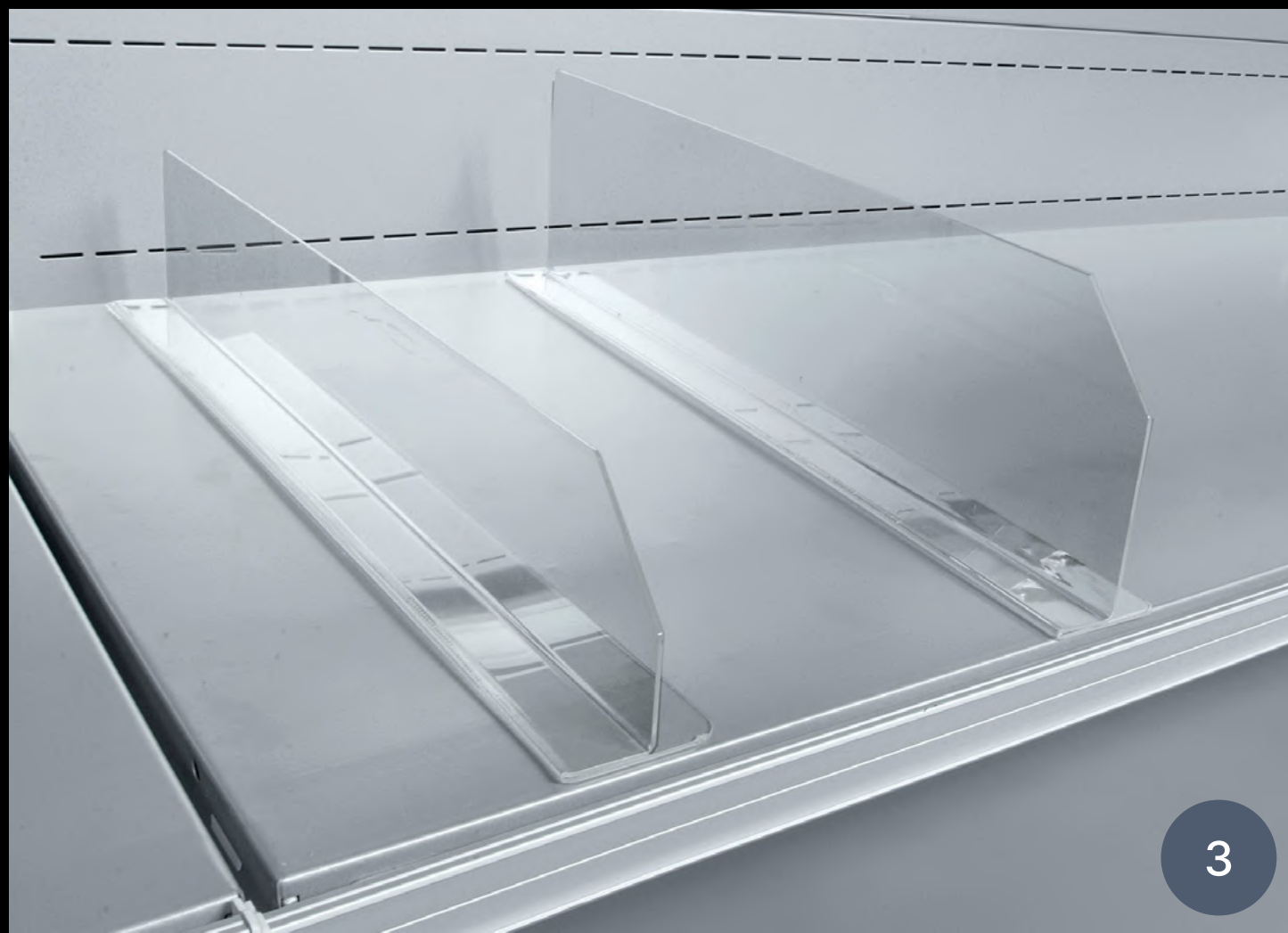
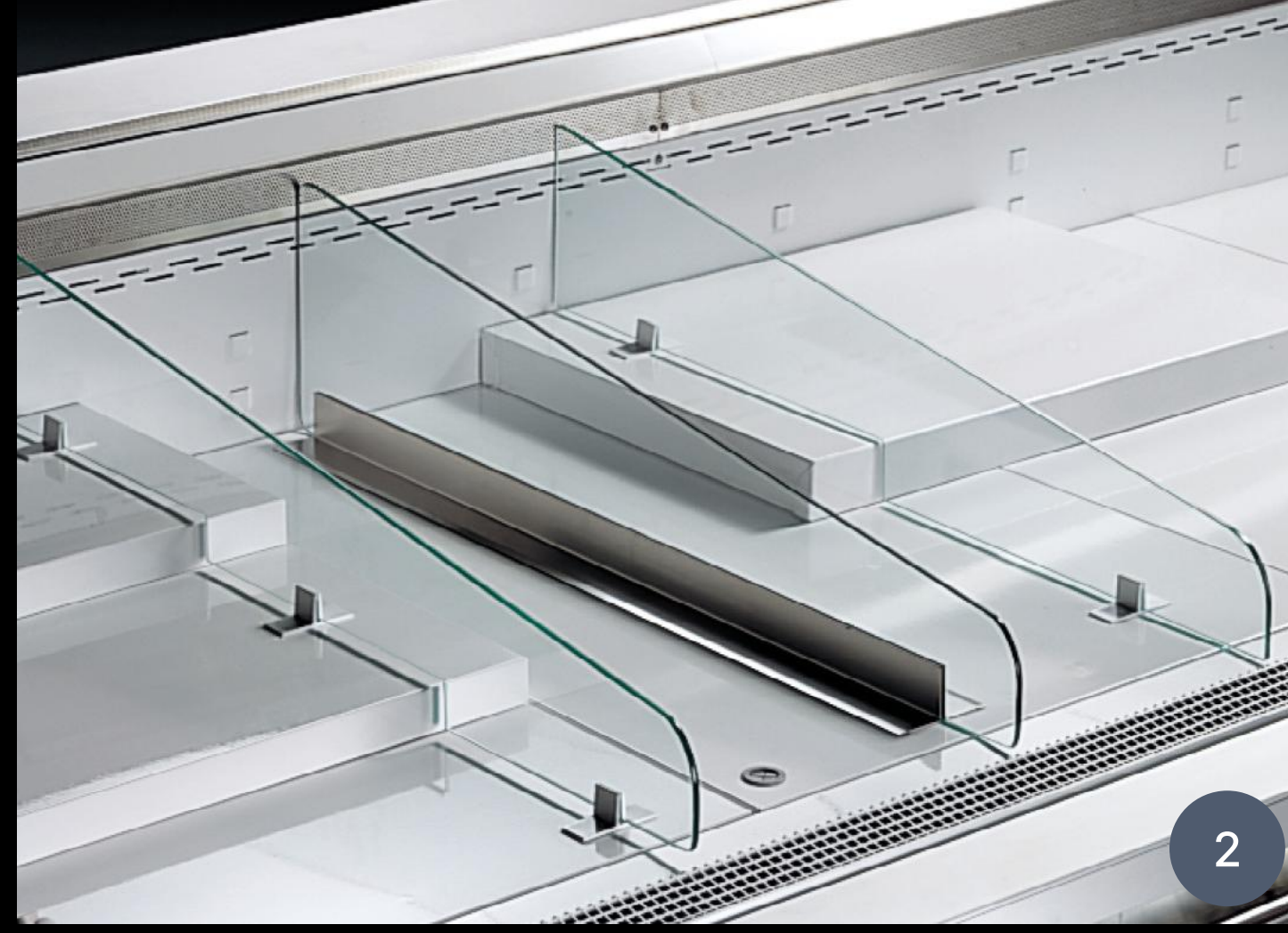
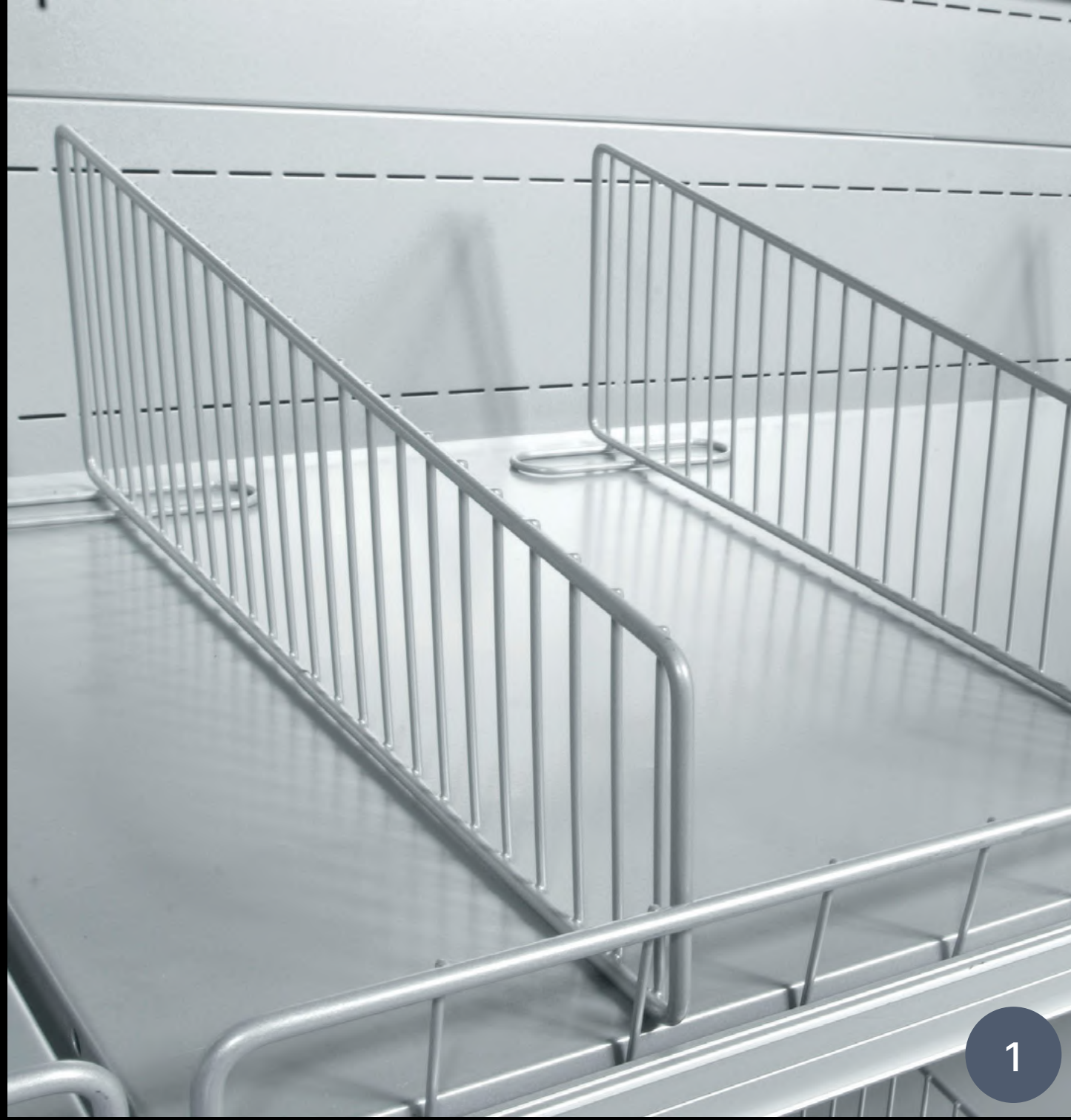
The button-type glass superstructure eliminates gaps between the front and counter top, improving hygiene.

Venezia LX can also be fitted with rear sliding doors to improve the counter seal, making it the ideal meat storage display.

FULLY CUSTOMIZABLE.

Its versatile nature and multiplex options mean this display line fits seamlessly into every store type. The vast range of materials and finishes allows a total custom look and ergonomic design makes staff operations easier, ensuring swift, simple access to products.





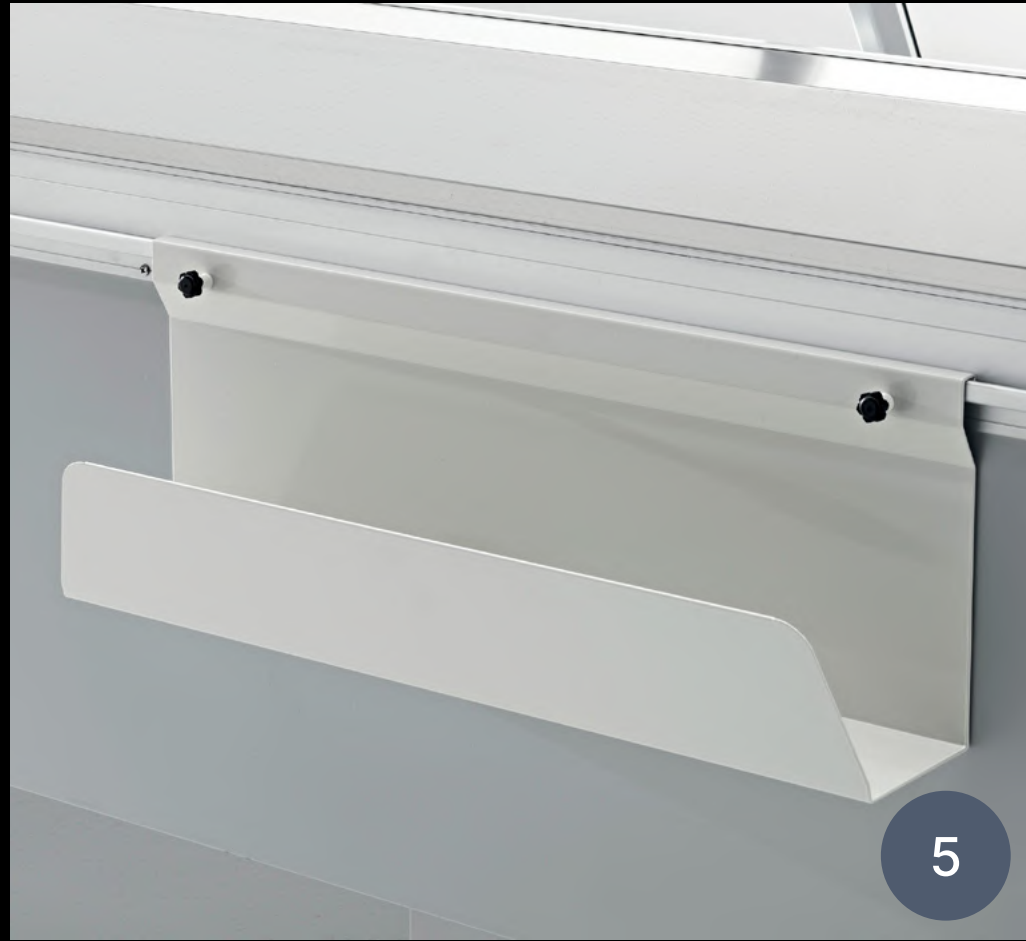
ACCESSORIES

1 - Wire deck and basin partitions

2 - Glass basin partitions

3 - Plexiglass partitions

4 - Bag hook



5 - Paper holder

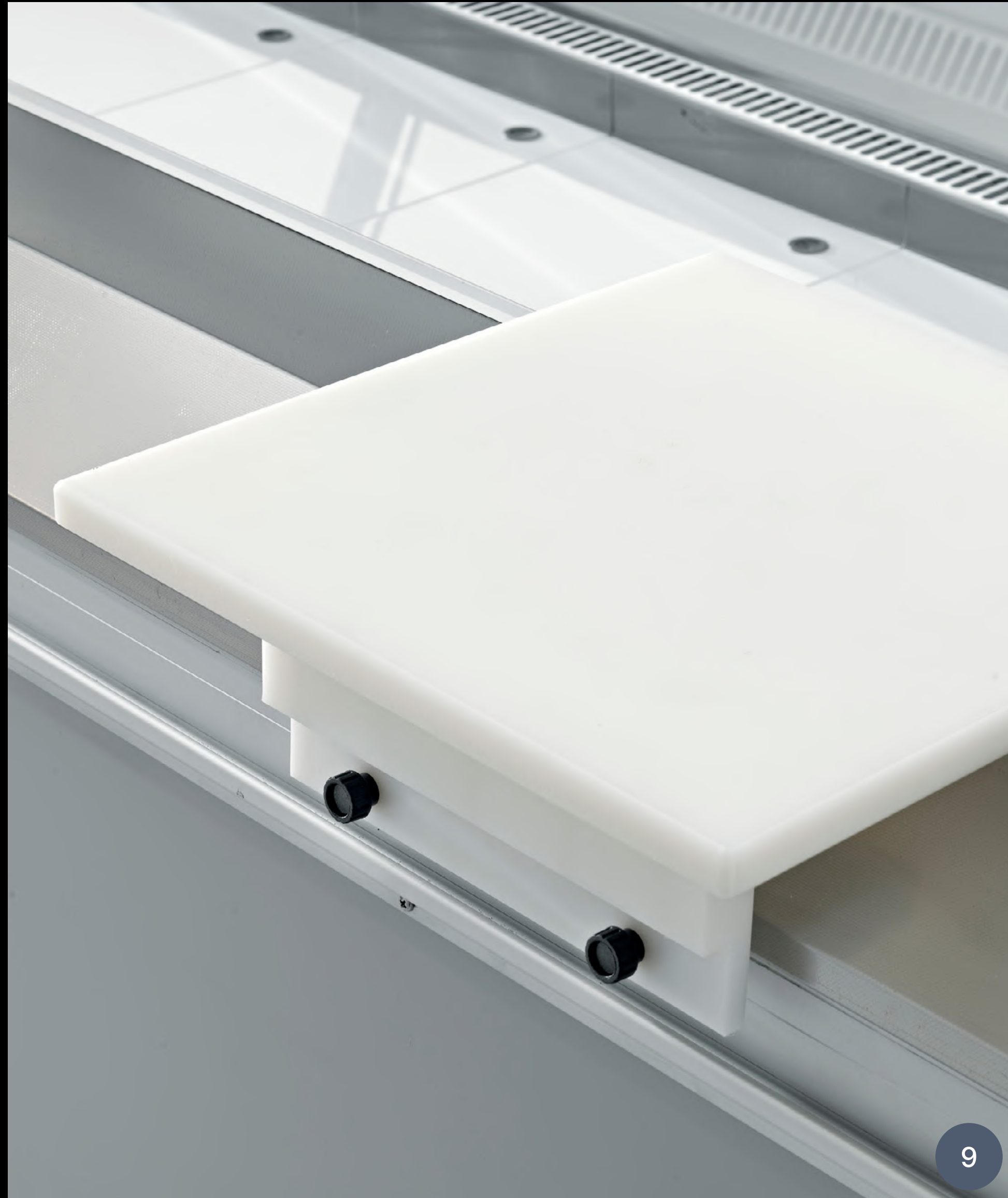


6 - Slicer holder

7 - Sliding stainless-steel shelf

8 - Knife holder





9 - Sliding polythene cutting board

10 - Scales holder

11 - 2-step stainless-steel tray

12 - 3-step stainless-steel tray





13



14



15

- 13 - 3-step stainless-steel tray
- 14 - Bread grille
- 15 - Intermeditate promotional plate

16 - Intermediate shelf



17 - Manual night blind



18 - Self-service night blind



19 - Refrigerated reserve


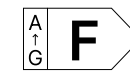
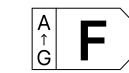

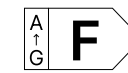
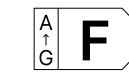


VENEZIA LX VETR-RX TN V LINEARE R

Length without side panels (mm)		937	1250	1875	2500	3125	3750
Temperature class	3M1	•	•	•	•	•	•
	3M2	•	•	•	•	•	•
Preservation temperature (°C)	0/+2	•	•	•	•	•	•
	+2/+4	•	•	•	•	•	•
Horizontal display area* (m ²)		0,80	1,06	1,59	2,13	2,66	3,19

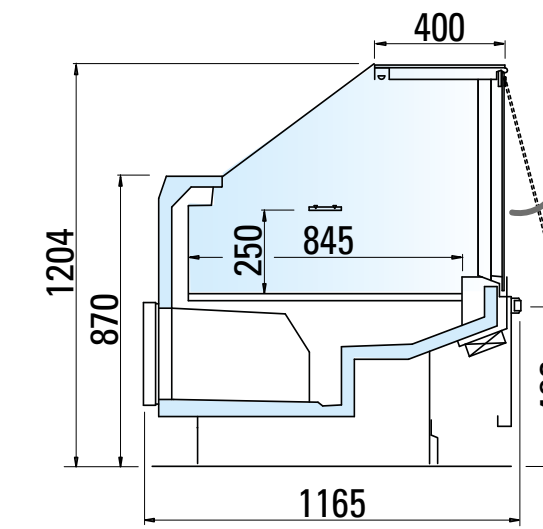
Modello non soggetto ad etichettatura energetica.

VENEZIA LX VETR-MX TN V LINEARE R

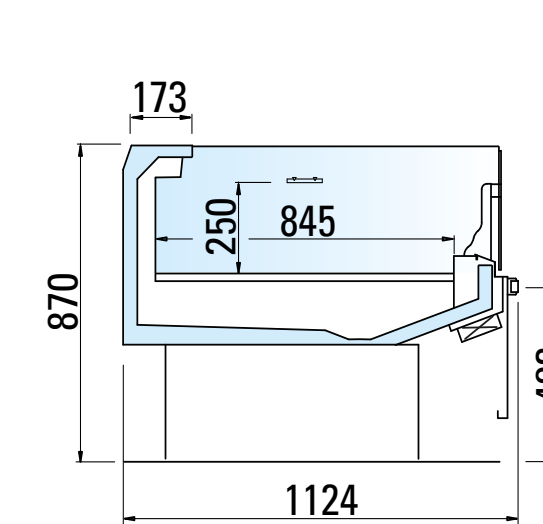
Length without side panels (mm)		937	1250	1875	2500	3125	3750
Temperature class	3M1	•	•	•	•	•	•
	3M2	•	•	•	•	•	•
Preservation temperature (°C)	0/+2	•	•	•	•	•	•
	+2/+4	•	•	•	•	•	•
Horizontal display area* (m ²)		0,79	1,06	1,58	2,11	2,64	3,17
Energy class**							

*Value referred to illustrated configurations.

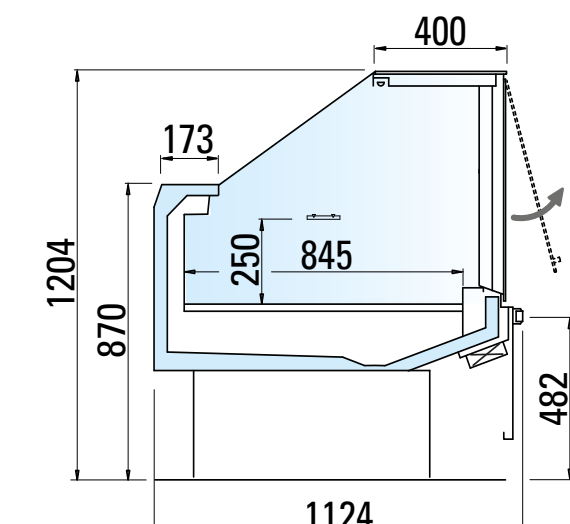
**The energy class may vary depending on the product configuration.



VDA 84



SFD



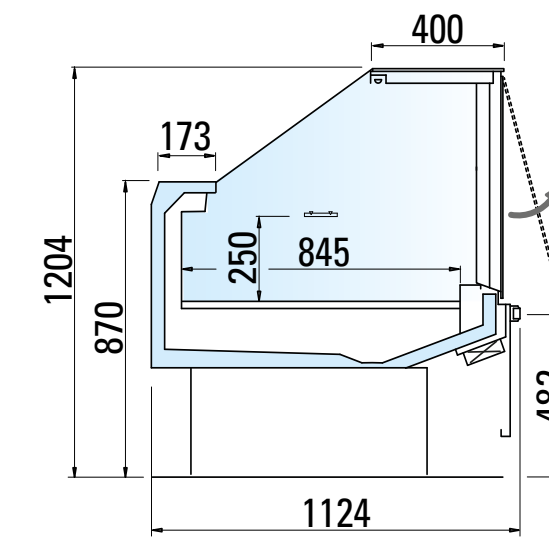
VDA

VENEZIA LX VETR-MX TN V LINEARE I

Length without side panels (mm)		1250	1875	2500
Temperature class	3M1	•	•	•
Preservation temperature (°C)	0/+2	•	•	•
Refrigerant	R290	•	•	•
Horizontal display area* (m ²)		1,06	1,58	2,11
Energy class**				

*Value referred to illustrated configurations.

**The energy class may vary depending on the product configuration.

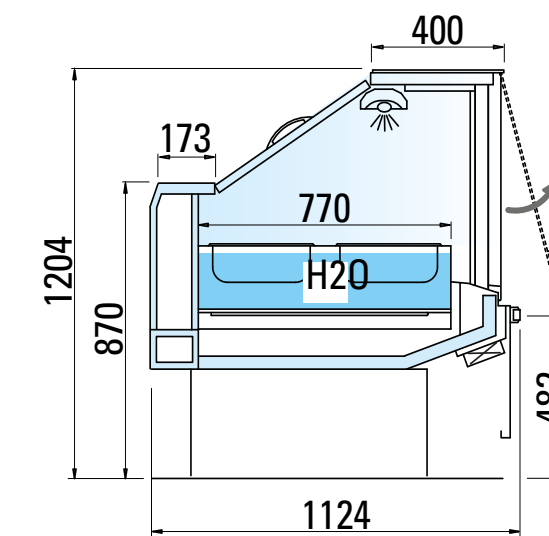


VDA

VENEZIA LX VETR-BM TC LINEARE

Length without side panels (mm)		937	1250
Stored product temperature (°C)	+65	•	•
Horizontal display area* (m ²)		0,54	0,76

Model not subject to energy labelling.

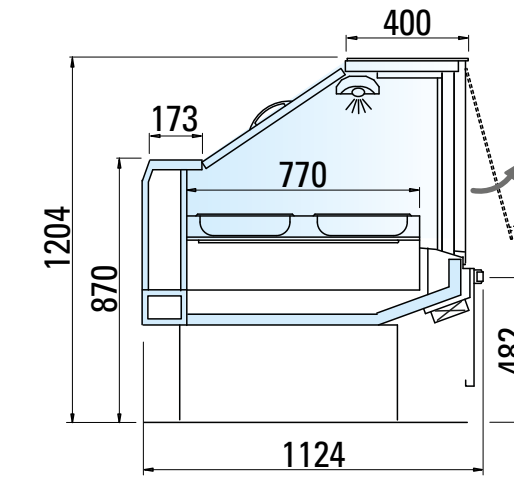


VDA

VENEZIA LX VETR-PW TC LINEARE

Length without side panels (mm)		937		1250
Stored product temperature (°C)	+65	•		•
Horizontal display area* (m ²)		0,54		0,76

Model not subject to energy labelling.

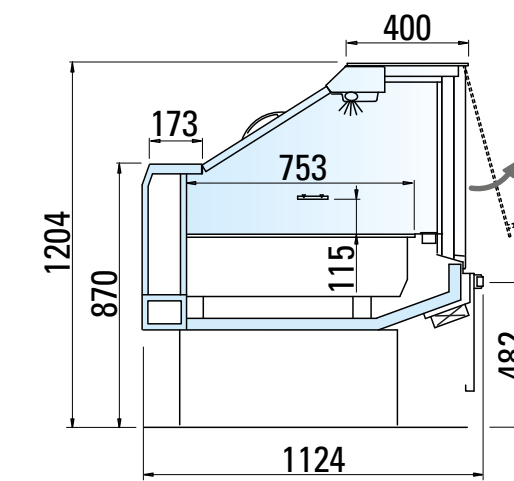


VDA

VENEZIA LX VETR-OM TC LINEARE

Length without side panels (mm)				1250
Stored product temperature (°C)	+65			•
Horizontal display area* (m ²)				0,94

Model not subject to energy labelling.

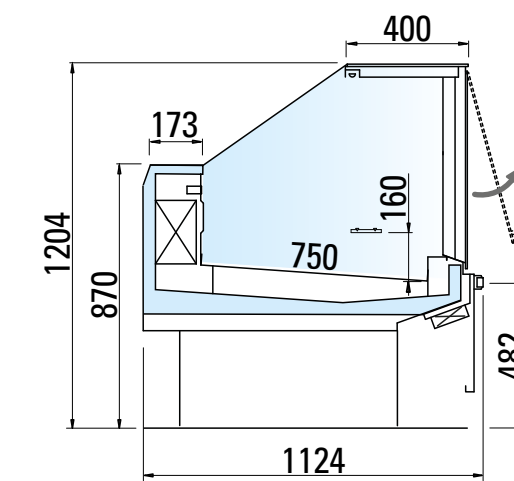


VDA

VENEZIA LX VETR-FH TN S LINEARE R

Length without side panels (mm)		937	1250	1875	2500
Temperature class	3M1	•	•	•	•
Preservation temperature (°C)	0/+2	•	•	•	•
Horizontal display area* (m ²)		0,70	0,94	1,41	1,88

Model not subject to energy labelling.

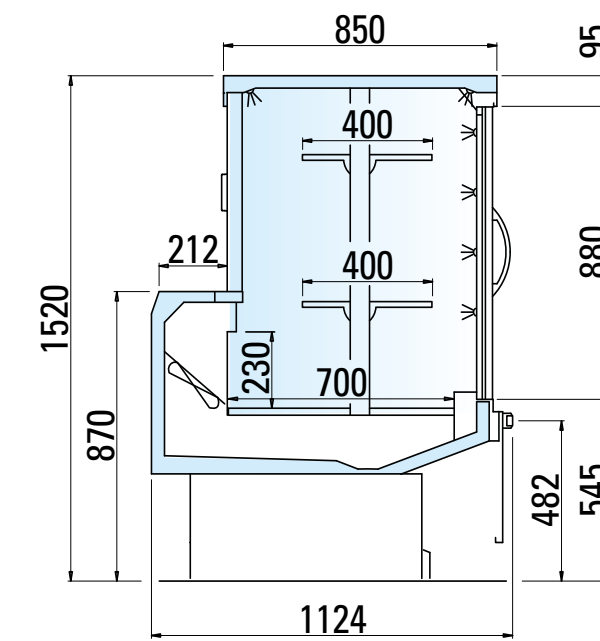


VDA

VENEZIA LX VETR TN V LINEARE R TH

Length without side panels (mm)		937	1250
Temperature class	3M1	•	•
	3M2	•	•
	0/+2	•	•
Preservation temperature (°C)	+2/+4	•	•
Horizontal display area* (m ²)	Depth 84	1,41	1,88
Energy class**	Depth 84	F	F

*Value referred to illustrated configurations.
 **The energy class may vary depending on the product configuration.

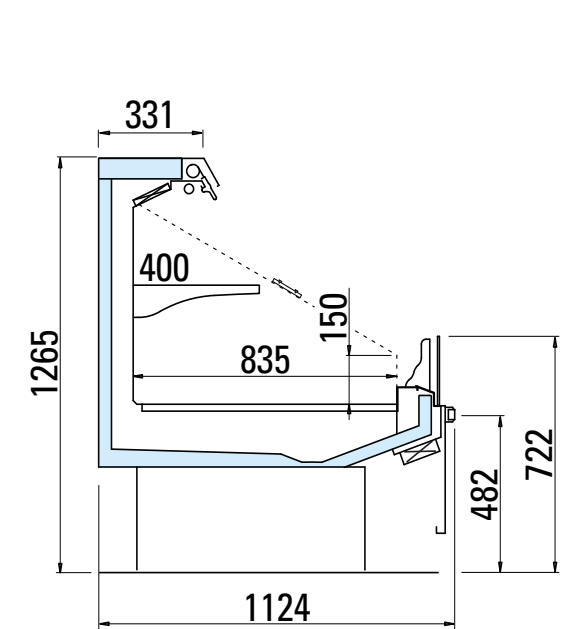


VENEZIA LX SVT-A-1 TN V LINEARE R

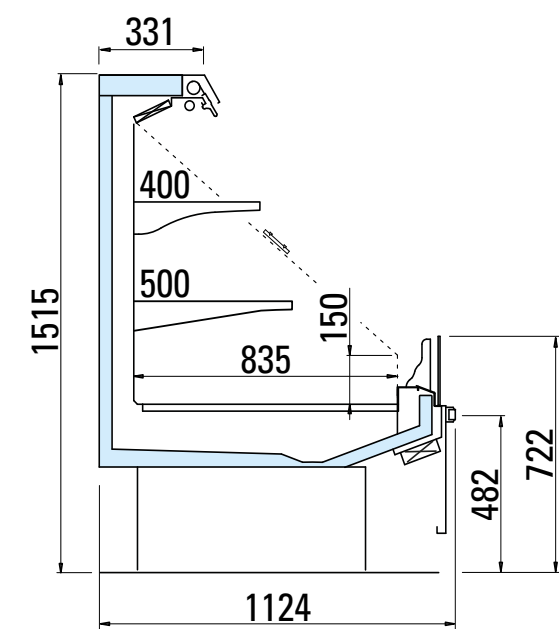
Length without side panels (mm)	1250		1875		2500		3125		3750	
Height	125	150	125	150	125	150	125	150	125	150
Temperature class	3 M1	•	•	•	•	•	•	•	•	•
	3 M2	•	•	•	•	•	•	•	•	•
Preservation temperature (°C)	0 / +2	•	•	•	•	•	•	•	•	•
	+2 / +4	•	•	•	•	•	•	•	•	•
Horizontal display area* (m ²)	1,54	2,17	2,32	3,25	3,09	4,34	3,86	5,425	4,63	6,51
Energy class**	A G E		A G E		A G E		A G E		A G E	

*Value referred to illustrated configurations.

**The energy class may vary depending on the product configuration.



H125



H150

ED. 02 - 04/10/2024

arneg[®]

WWW.ARNEG.COM



Arneg follows a policy of continuous improvement and reserves the right to update this document at any time without prior notice.