

SERVE-OVER COUNTER AND SEMI-VERTICAL

□□□

SANTIAGO 2

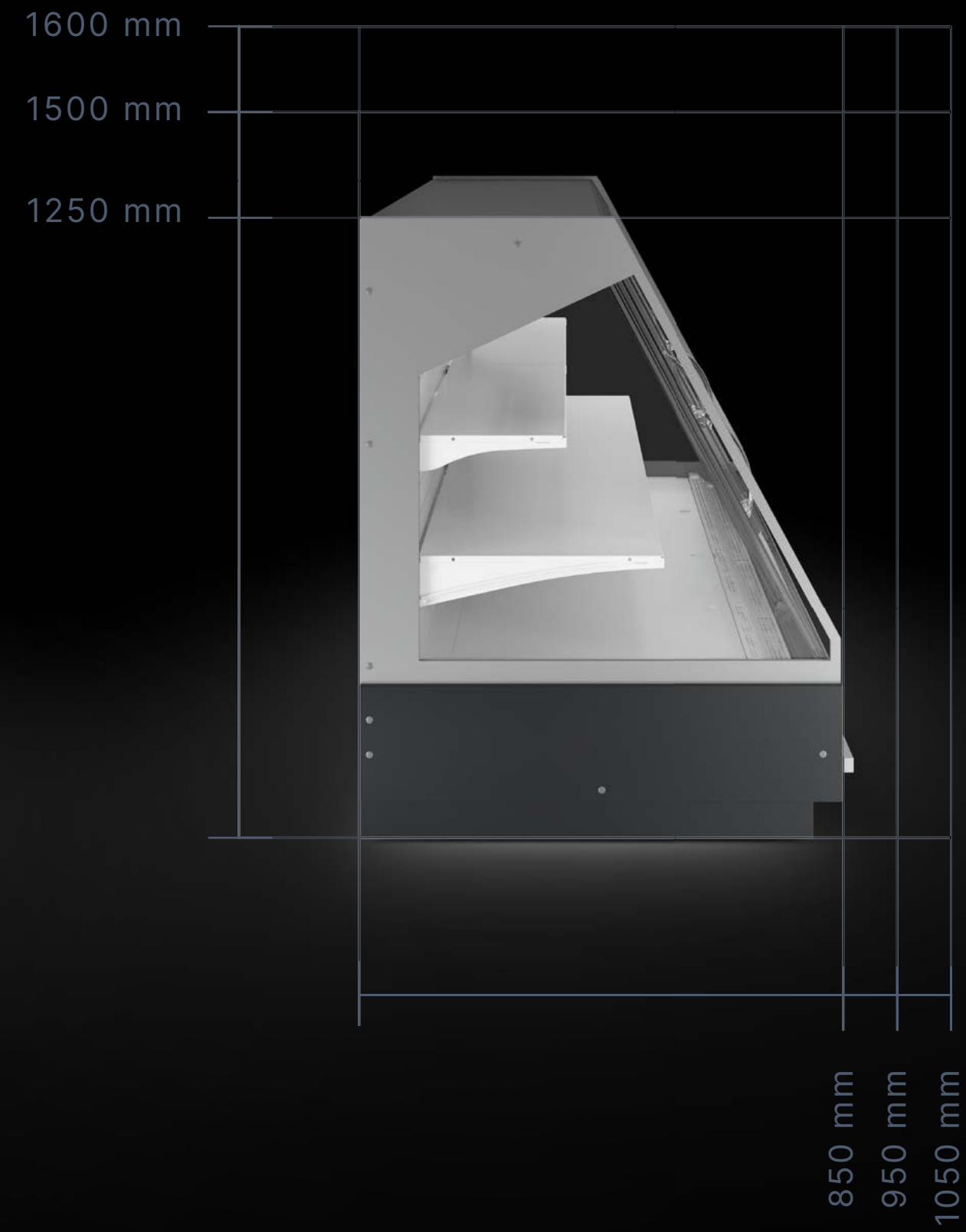


A
R
N
E
G

ONE FAMILY FOR ALL NEEDS.

Santiago 2 is a family of vertical and semi-vertical refrigerated cabinets that combines versatility in use with energy saving and attractive looks. Available as vertical glass-door cabinets, as semi-vertical cabinets with “full-vision” flat, sliding doors and in various widths and lengths, **Santiago 2** offers the flexibility and performance needed by stores that want to stand out.





Offered in vertical and semi-vertical versions, both available in a choice of sizes, **Santiago 2** satisfies all your space and product category needs.

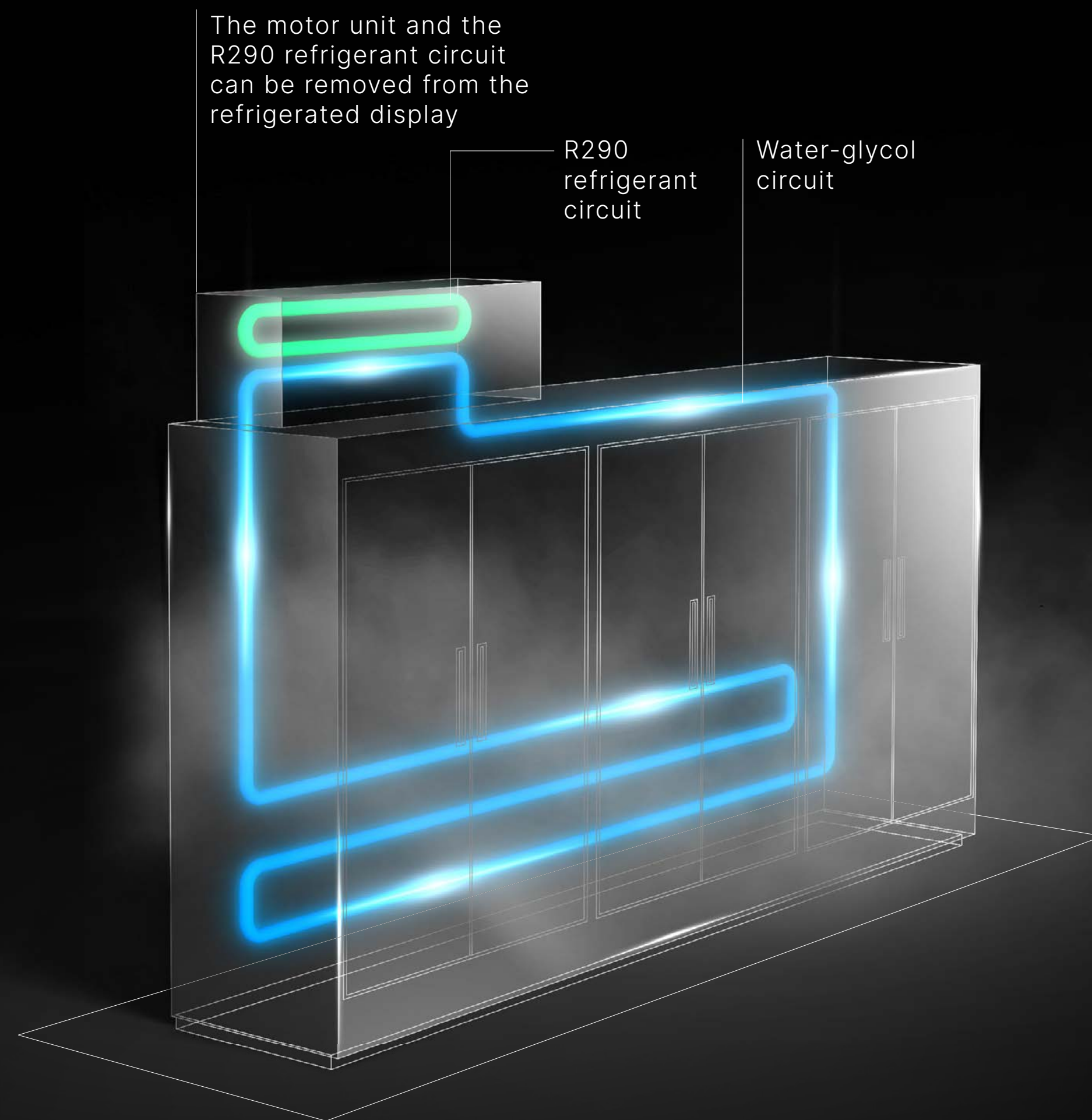
- **Continuity of presentation**
- **Maximum customisation**
- **Wide range of shelves**
- **Maximum product visibility**





AN AIR OF EFFICIENCY.

Santiago 2 refrigerated cabinets feature special non-heated glass and low-energy, electronically controlled fans for **reduced electricity consumption**. In addition, a choice of advanced refrigeration systems **minimises environmental impact** and maximises efficiency.



ARNEG ECO RING

ARNEG ECO RING, SUSTAINABLE REFRIGERATION.

Santiago 2 vertical cabinets can be equipped with the revolutionary **Arneg Eco Ring system**. This unique refrigeration solution significantly reduces impact on the environment and improves safety by using a reduced quantity of natural gas to cool even large cabinets in plug-in mode.

ARNEG AIR SYSTEM, THE TEMPERATURE OF QUALITY.

Santiago 2 cabinets can also be configured with the exclusive **Arneg Air System**. This patented technology uses dynamic air blades to recirculate air inside the refrigerated compartment, maintaining a constant temperature 24 hours a day, eliminating the need to defrost and optimising energy efficiency.





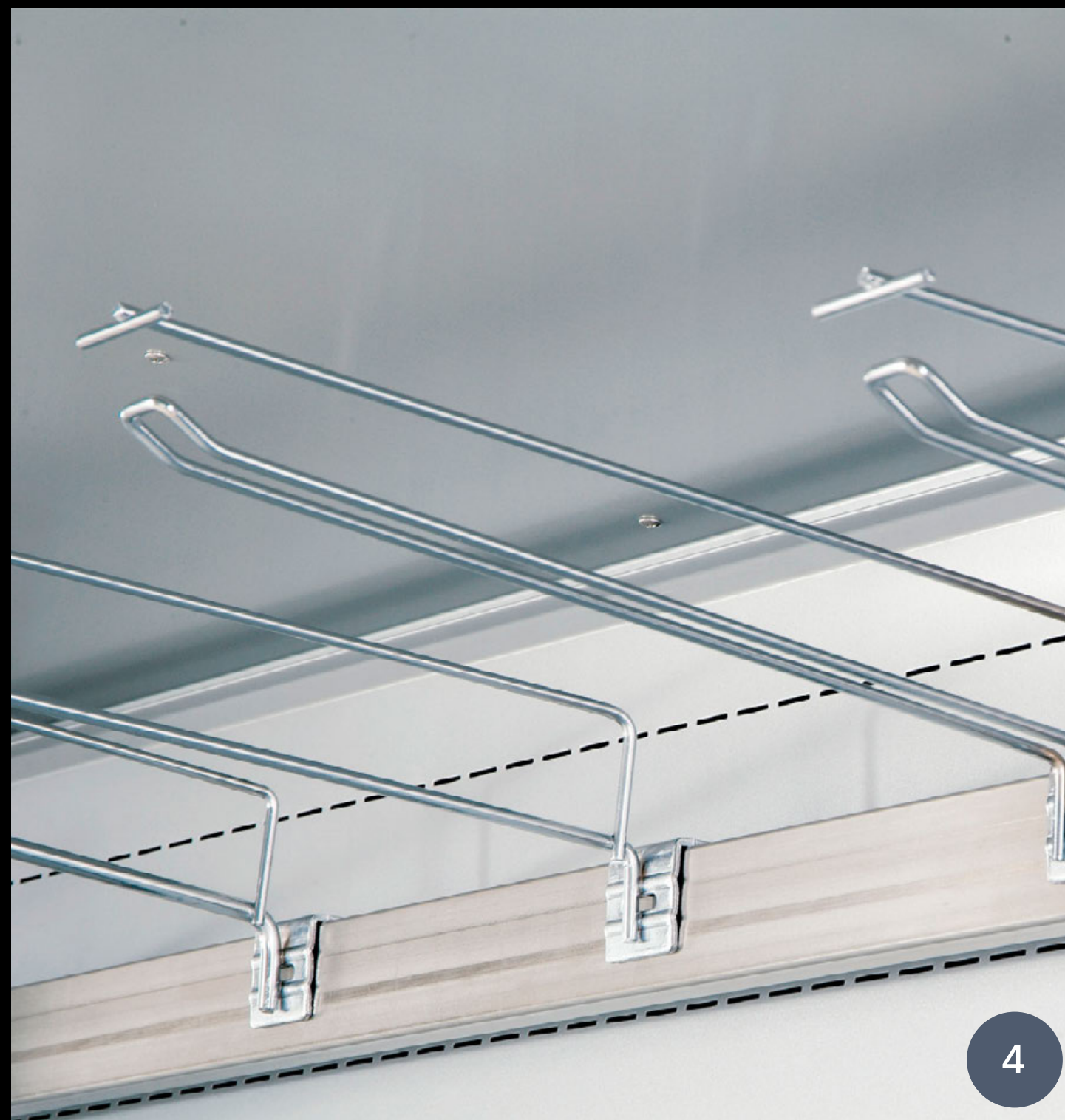
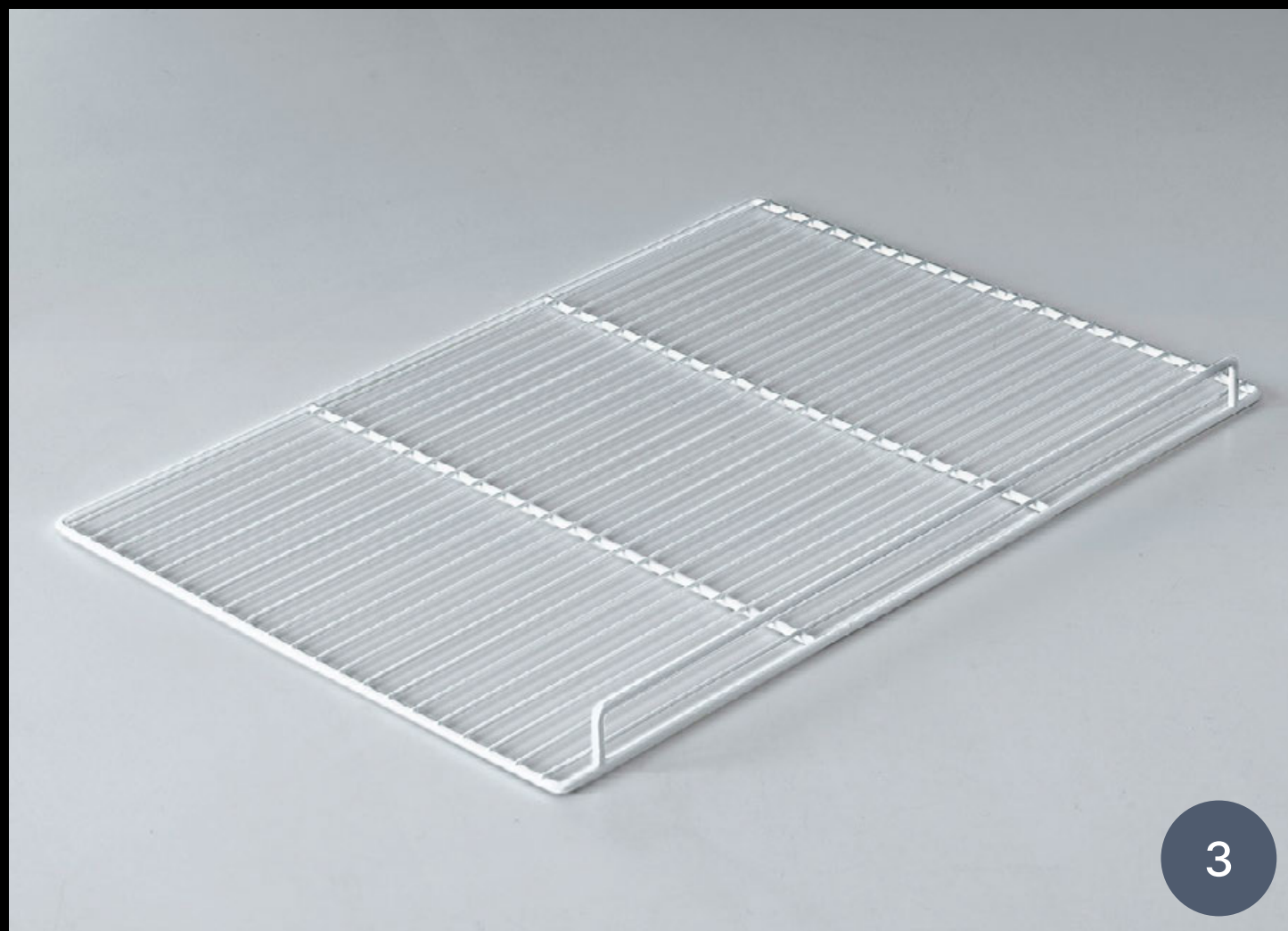
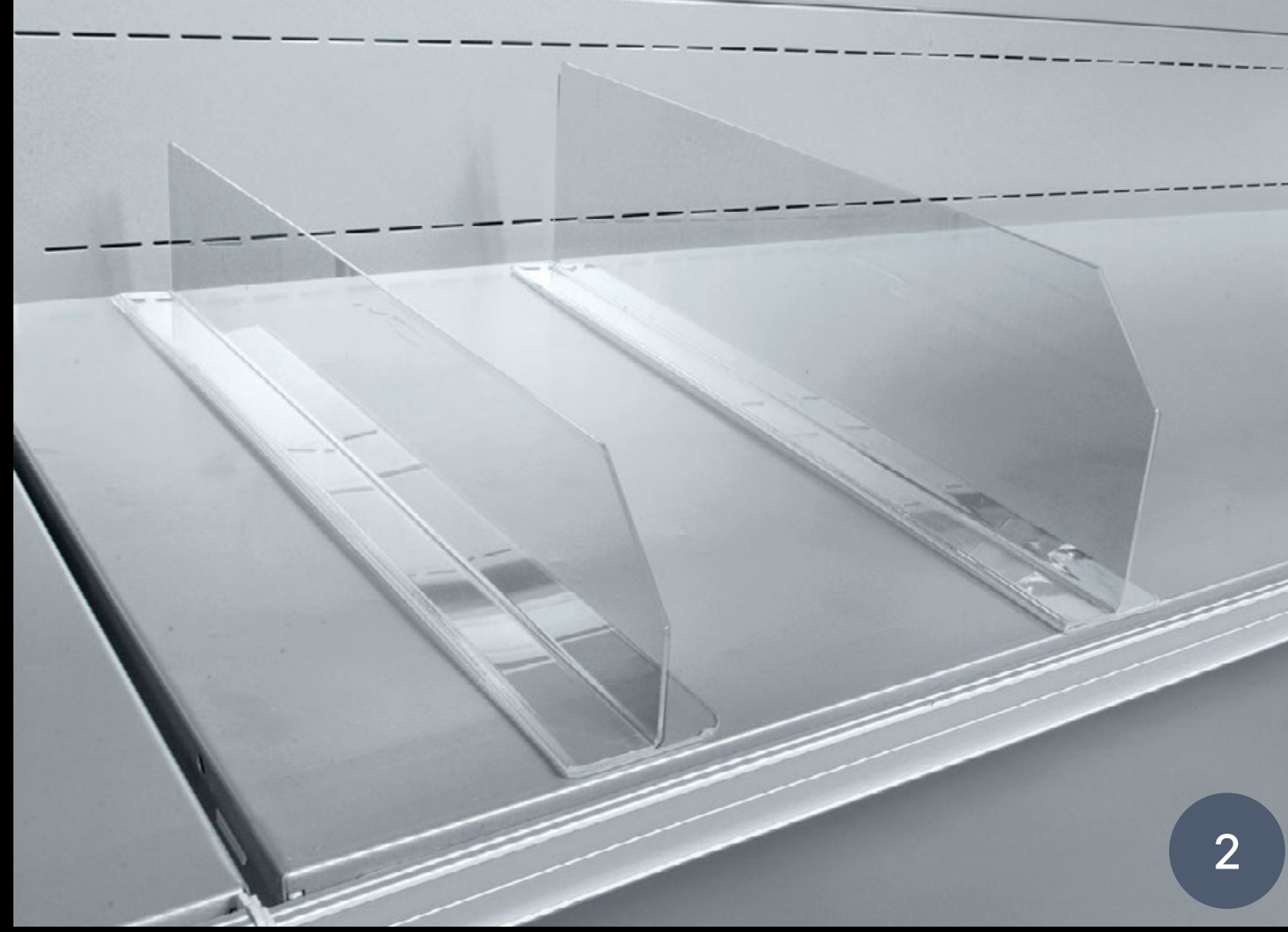
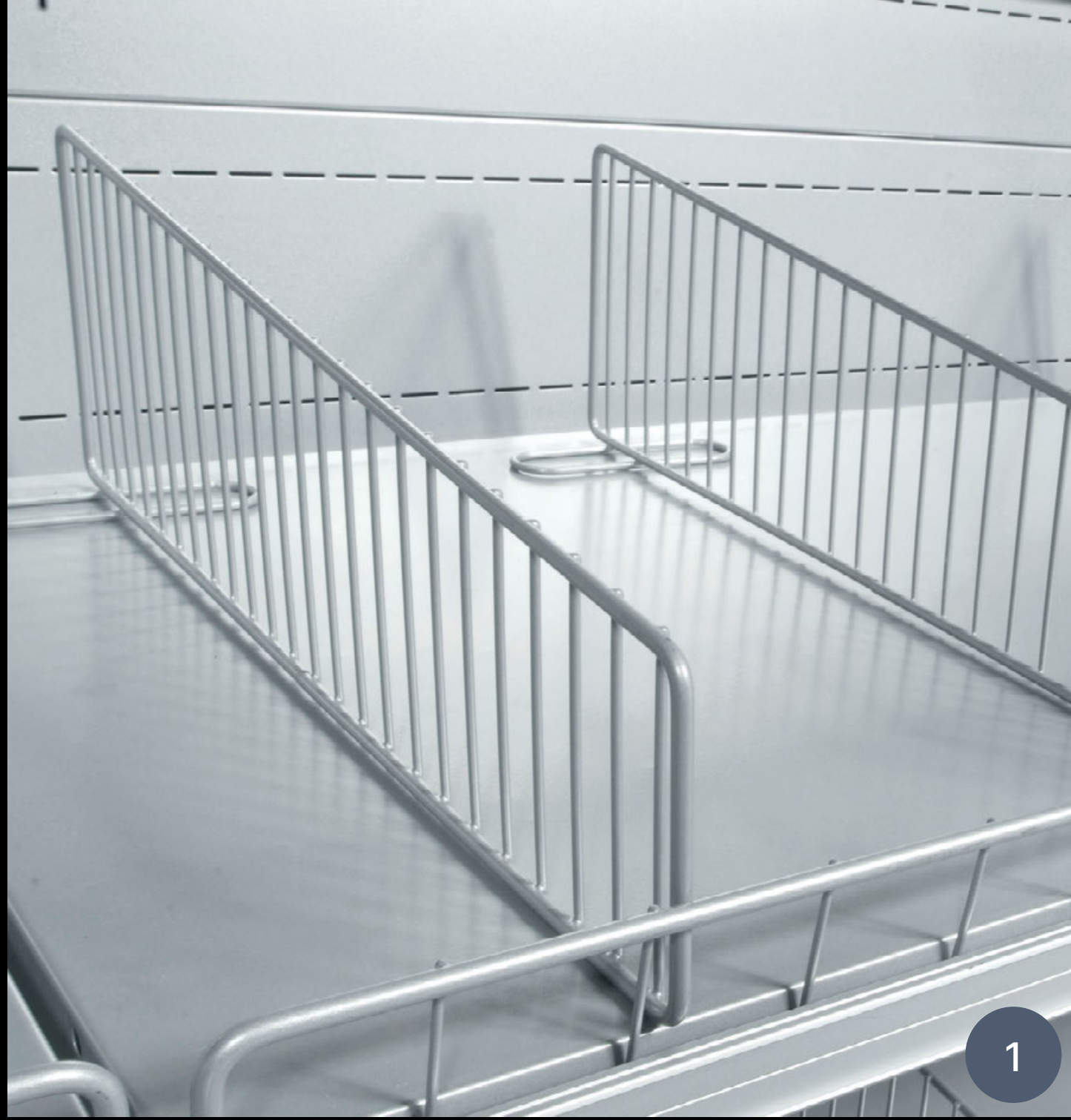
PRODUCTS IN THE SPOTLIGHT.

Santiago 2 cabinets are perfect for meat, dairy products, cheese, pre-packed fruit and veg and pre-packed fish. They guarantee excellent visibility and offer unrivalled transparency thanks to their extensive use of panoramic glass. These cabinets can also be customised by reinforced PVC bumpers and a choice of finishes, thanks to colours and wood effects that match the visual and stylistic identity of the most refined stores.



- Robust cabinet structure
- Maximum customisation
- Easy access to product
- Wide range of models

Like all Arneg vertical cabinets, **Santiago 2** is modular in design and can be multiplexed without side panels to ensure continuity in presentation and give customers the impression of choosing from a single, extended cabinet. Combined with impressive operating flexibility and configurability, this makes **Santiago 2** the perfect choice for store operators seeking to combine efficiency and functionality with a distinctive, welcoming look.



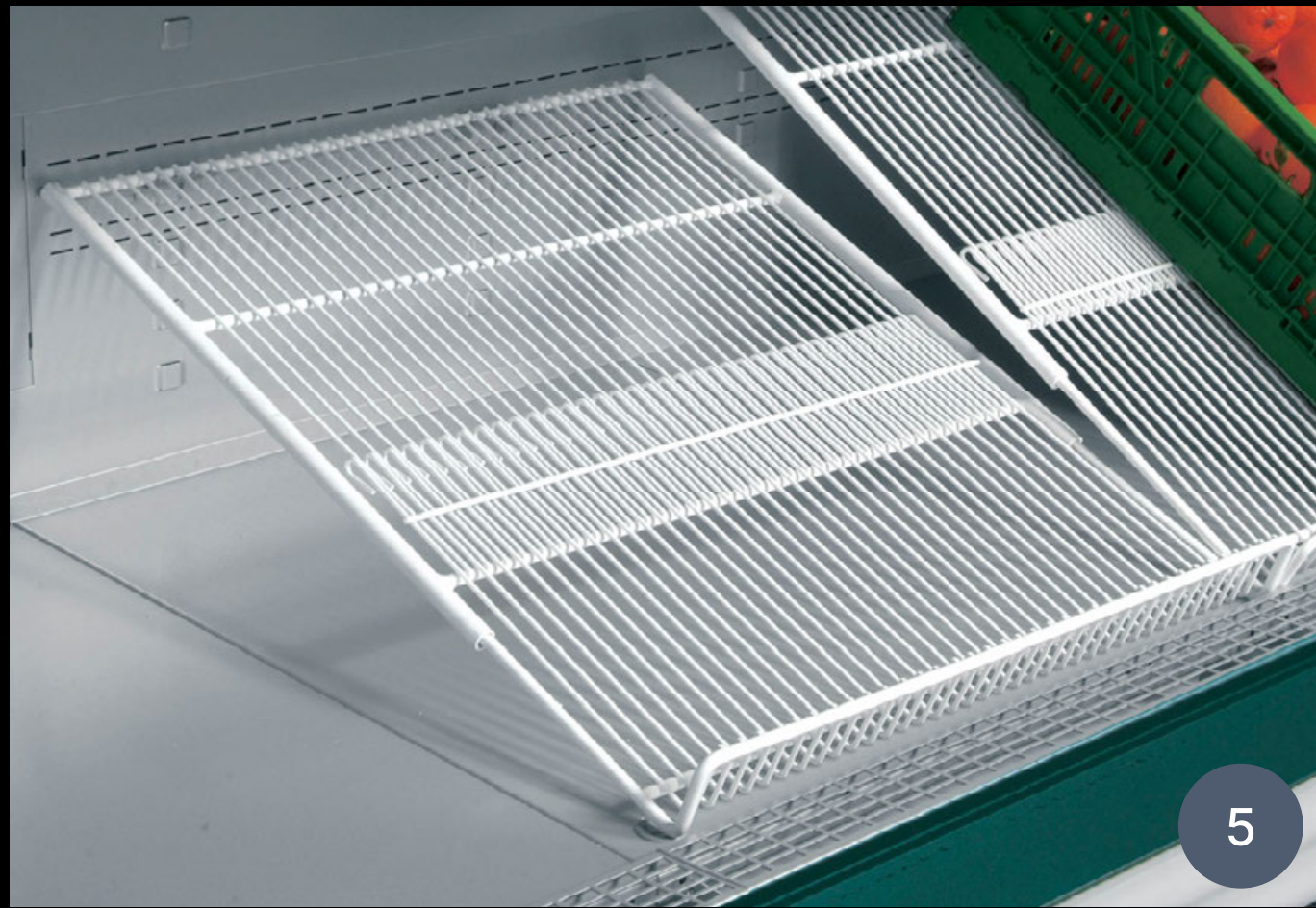
ACCESSORIES

1 - Wire deck and basin partitions

2 - Plexiglass partitions

3 - Bottom grilles

4 - Wire hooks



5 - Telescopic bottom grilles

6 - Clear shelf

7 - Wire shelf

8 - 17 mm shelf

9 - 12 mm glass shelf





10 - Ultra-slim 15 mm shelf

11 - Wire fence

12 - Plexiglass fence

13 - Intermediate side DRVC





14



15



16

14 - Vertical LED lights

15 - FV mirror

16 - Rectangular bumper



17 - DRSP side

18 - SGVC side

19 - Screen printed doors

20 - Full vision doors

21 - DRCI side





22



23



24



25

- 22 - Bar price holder for IMZ shelf
- 23 - Clear price holder for IMZ shelf
- 24 - H32 Price holder
- 25 - H25 Price holder

SANTIAGO 2 VRT-C-1 TN V LINEARE R LF

Length without side panels (mm)		1250		1875		2500		3750	
Height (cm)		205	218	205	218	205	218	205	218
Temperature class (°C)	3M0	•	•	•	•	•	•	•	•
	3M1	•	•	•	•	•	•	•	•
	3M2	•	•	•	•	•	•	•	•
Preservation temperature (°C)	-1/+1	•	•	•	•	•	•	•	•
	0/+2	•	•	•	•	•	•	•	•
	+2/+4	•	•	•	•	•	•	•	•
Horizontal display area* (m ²)	Depth 85	3,87		5,80		7,74		11,61	
	95	3,99		5,99		7,99		11,98	
	105	4,12		6,18		8,24		12,36	
Energy class**	Depth 85 - 95	A G C		A G C		A G C		A G C	
	105	A G C		A G C		A G C		A G C	

*Value referred to illustrated configurations.

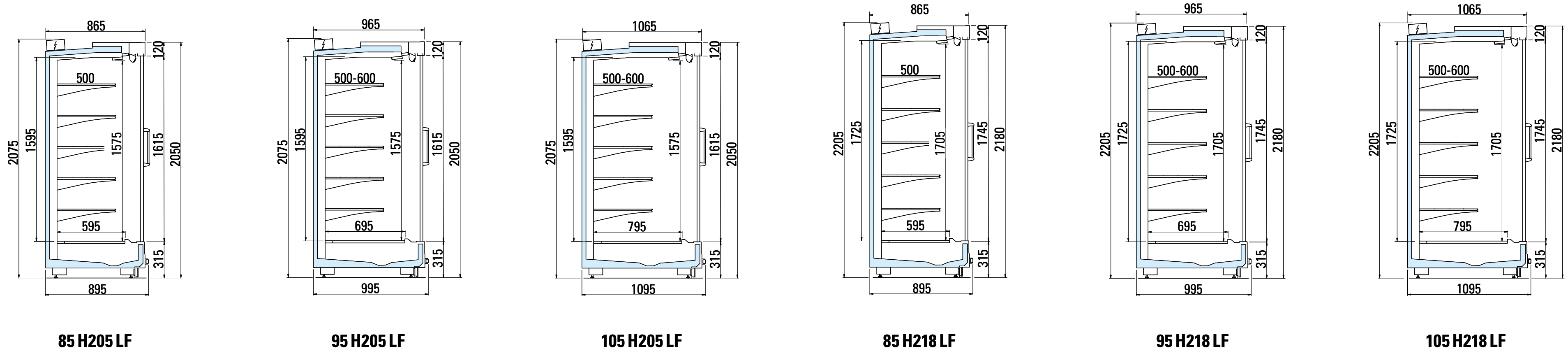
**The energy class may vary depending on the product configuration.

SANTIAGO 2 VRT-C-1 TN VAS LINEARE R LF





Length without side panels (mm)		1250		1875		2500		3750	
Height (cm)		205	218	205	218	205	218	205	218
Temperature class (°C)	3M0	•	•	•	•	•	•	•	•
	3M1	•	•	•	•	•	•	•	•
	3M2	•	•	•	•	•	•	•	•
Preservation temperature (°C)	-1/+1	•	•	•	•	•	•	•	•
	0/+2	•	•	•	•	•	•	•	•
	+2/+4	•	•	•	•	•	•	•	•
Horizontal display area* (m ²)	Depth 85	3,87		5,80		7,74		11,61	
	95	3,99		5,99		7,99		11,98	
	105	4,12		6,18		8,24		12,36	
Energy class**	Depth 85 - 95	A+G C		A+G C		A+G C		A+G C	
	105	A+G C		A+G C		A+G C		A+G C	

*Value referred to illustrated configurations.

**The energy class may vary depending on the product configuration.

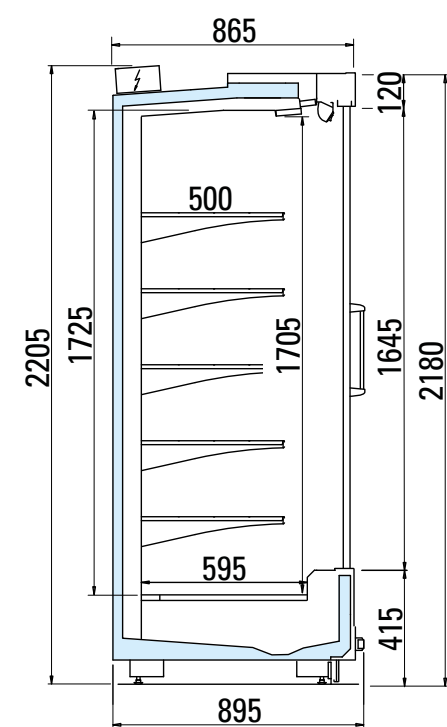


SANTIAGO 2 VRT-C-1 TN V LINEARE R MF

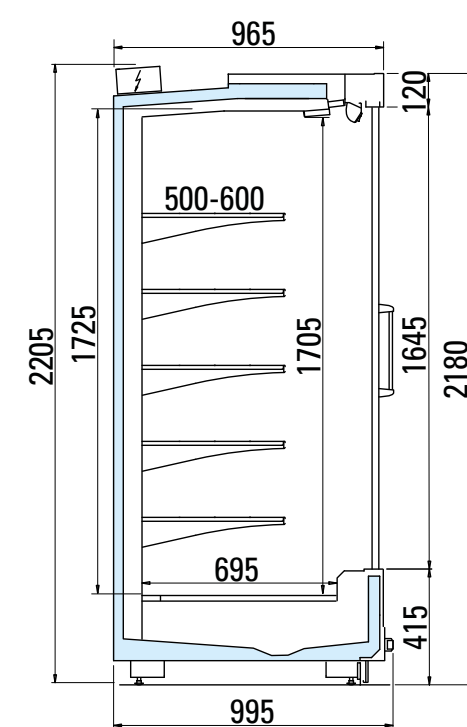
Length without side panels (mm)		1250	1875	2500	3750
Height (cm)		218	218	218	218
Temperature class (°C)	3M0	•	•	•	•
	3M1	•	•	•	•
	3M2	•	•	•	•
Preservation temperature (°C)	-1/+1	•	•	•	•
	0/+2	•	•	•	•
	+2/+4	•	•	•	•
Horizontal display area* (m ²)	Depth 85	3,87	5,80	7,74	11,61
	95	3,99	5,99	7,99	11,98
	105	4,12	6,18	8,24	12,36
Energy class**	Depth 85 - 95 105				

*Value referred to illustrated configurations.

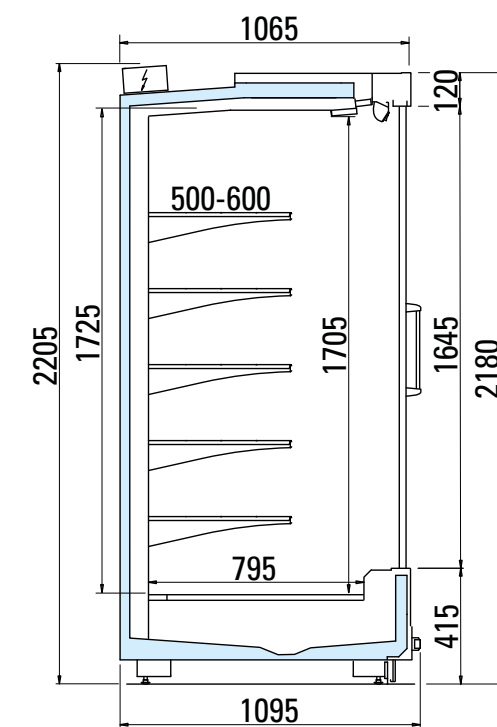
**The energy class may vary depending on the product configuration.



85 H218 MF



95 H218 MF



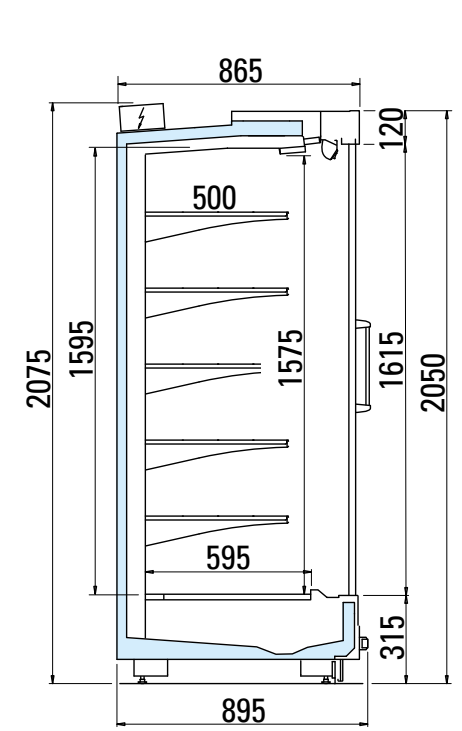
105 H218 MF

SANTIAGO 2 VRT-C-1 TN V TESTATA R LF

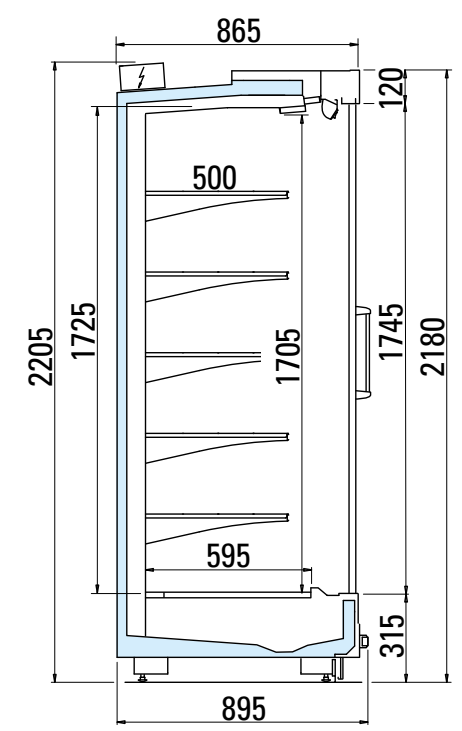
Overall length (mm)		1350		1774		1975		2183	
Height (cm)		205	218	205	218	205	218	205	218
Temperature class (°C)	3M0	-	-	-	•	•	•	•	•
	3M1	-	-	-	•	•	•	•	•
	3M2	-	-	-	•	•	•	•	•
Preservation temperature (°C)	-1/+1	-	-	-	•	•	•	•	•
	0/+2	-	-	-	•	•	•	•	•
	+2/+4	-	-	-	•	•	•	•	•
Horizontal display area* (m²)		-	-	-	5,18	5,8	5,8	6,45	6,45
Energy class**		A G C		A G C		A G C		A G C	

SANTIAGO 2 VRT-C-1 TN V TESTATA R MF

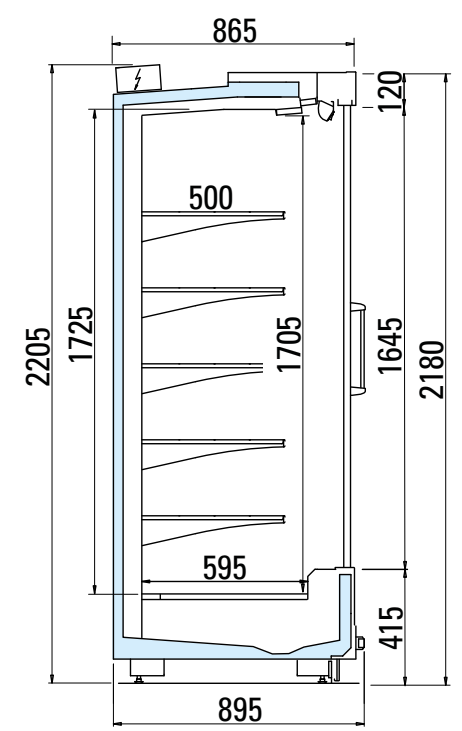
Overall length (mm)		2183
Height (cm)		218
Temperature class (°C)	3M0	•
	3M1	•
	3M2	•
Preservation temperature (°C)	-1/+1	•
	0/+2	•
	+2/+4	•
Horizontal display area* (m²)		6,45
Energy class**		A G C



85 H205 LF




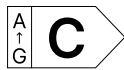

85 H218 LF



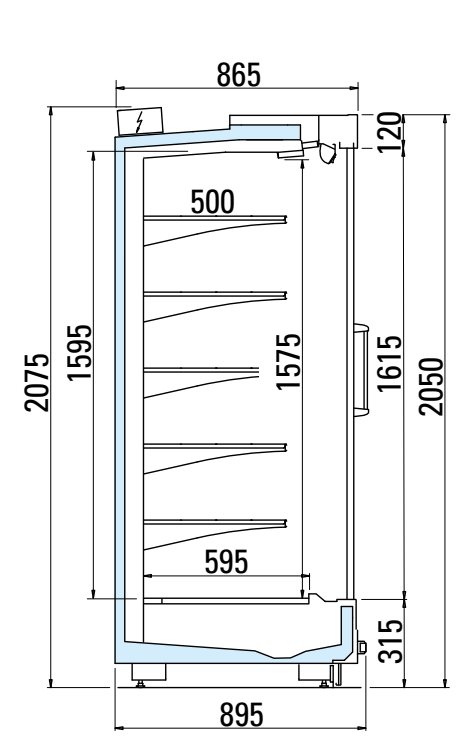
85 H218 MF

*Value referred to illustrated configurations. **The energy class may vary depending on the product configuration.

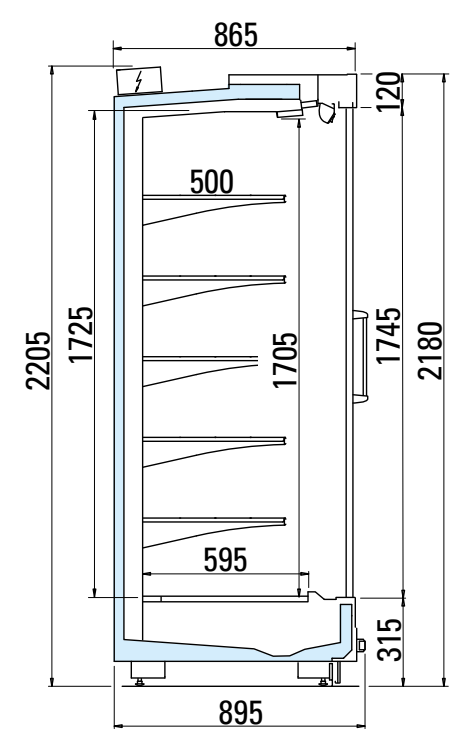
SANTIAGO 2 VRT-C-1 TN VAS TESTATA R LF

Overall length (mm)		1774		1975		2183	
Height (cm)		205	218	205	218	205	218
Temperature class (°C)	3M0	•		•		•	
	3M1	•		•		•	
	3M2	•		•		•	
Preservation temperature (°C)	-1/+1	•		•		•	
	0/+2	•		•		•	
	+2/+4	•		•		•	
Horizontal display area* (m ²)		5,18		5,8		6,45	
Energy class**							

*Value referred to illustrated configurations. **The energy class may vary depending on the product configuration.



85 H205 LF



85 H218 LF

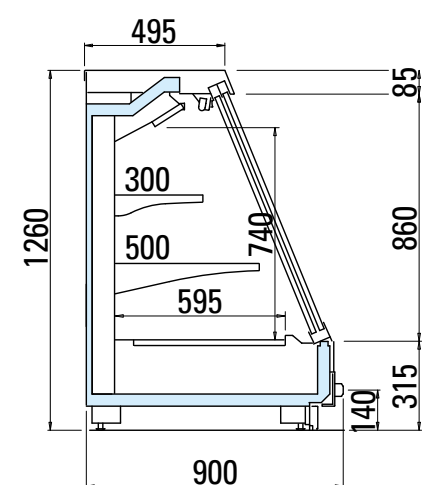
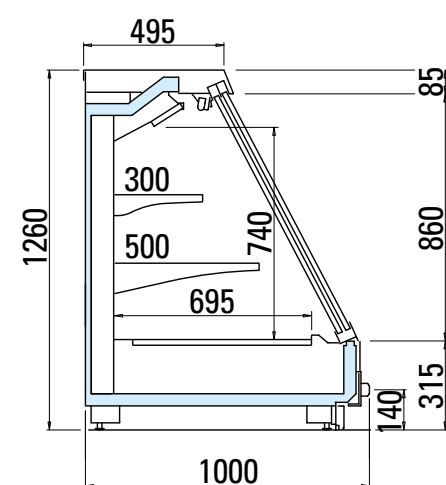
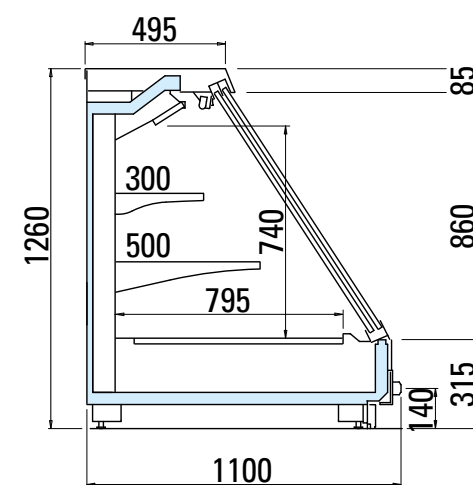
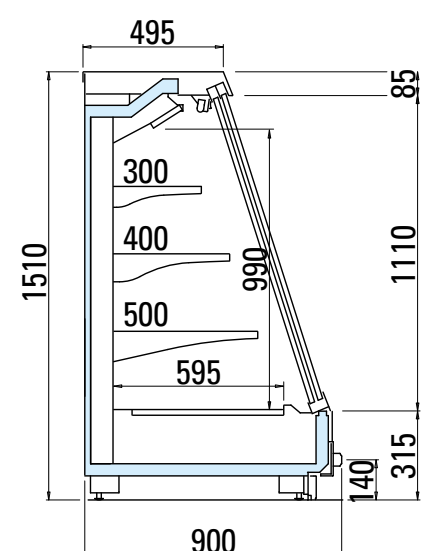
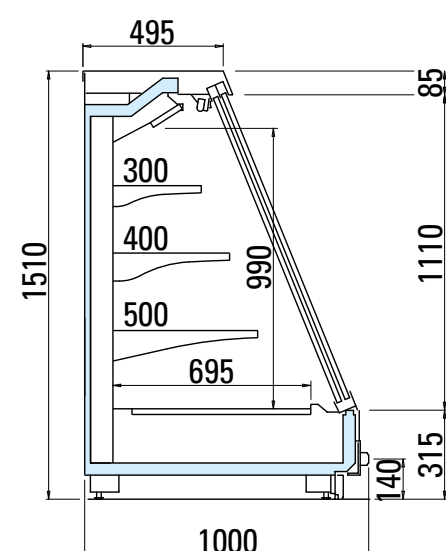
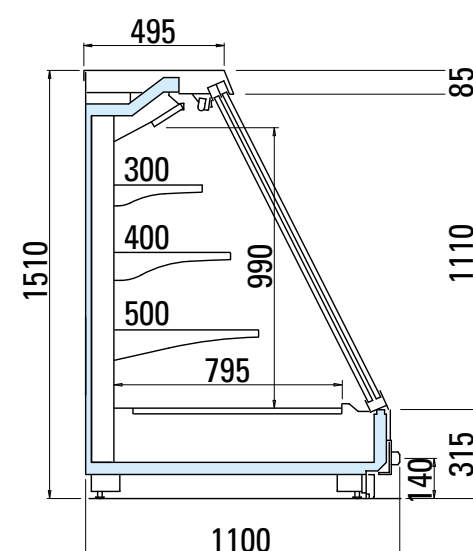
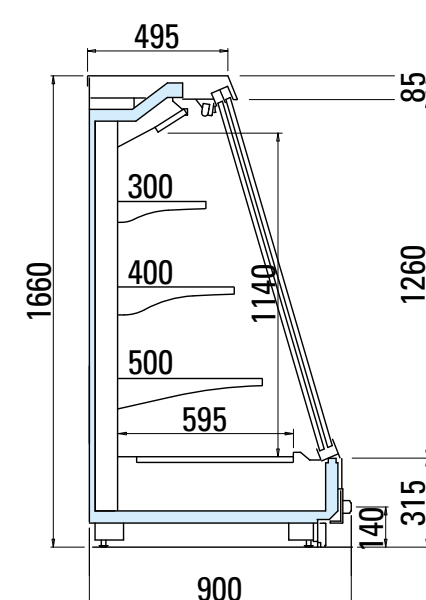
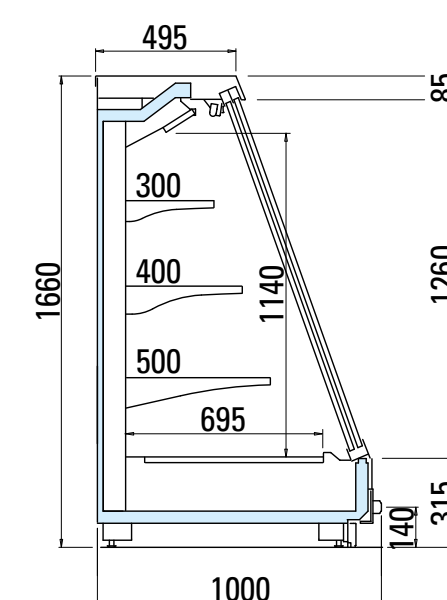
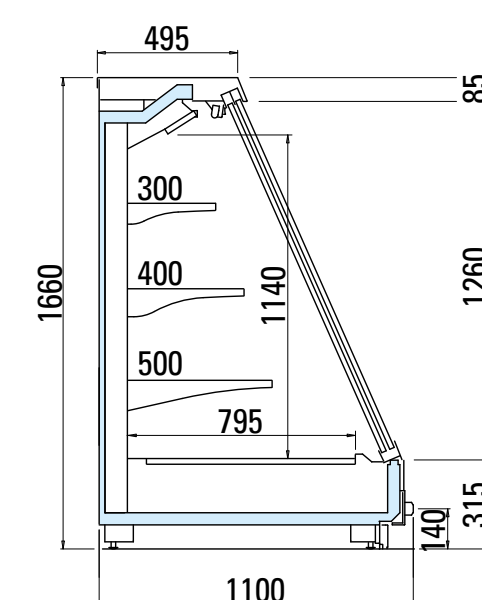
SANTIAGO 2 SVT-C-1 TN V LINEARE R

Length without side panels (mm)		1250			1875			2500			3750		
Height (cm)		125	150	165	125	150	165	125	150	165	125	150	165
Temperature class (°C)	3M0	•	•	•	•	•	•	•	•	•	•	•	•
	3M1	•	•	•	•	•	•	•	•	•	•	•	•
	3M2	•	•	•	•	•	•	•	•	•	•	•	•
Preservation temperature (°C)	-1/+1	•	•	•	•	•	•	•	•	•	•	•	•
	0/+2	•	•	•	•	•	•	•	•	•	•	•	•
	+2/+4	•	•	•	•	•	•	•	•	•	•	•	•
Horizontal display area* (m ²)	profondità 85	1,74	2,24		2,61	3,36		3,49	4,49		5,23	6,73	
	95	1,87	3,37		2,8	3,55		3,74	4,74		5,6	7,1	
	105	-	2,49		-	3,74		-	4,99	4,98	-	7,48	7,47
Energy class**	profondità 85 - 95	A G D			A G D			A G D			A G D		
	105	-	A G D		-	A G D		-	A G D		-	A G D	




*Value referred to illustrated configurations.

**The energy class may vary depending on the product configuration.

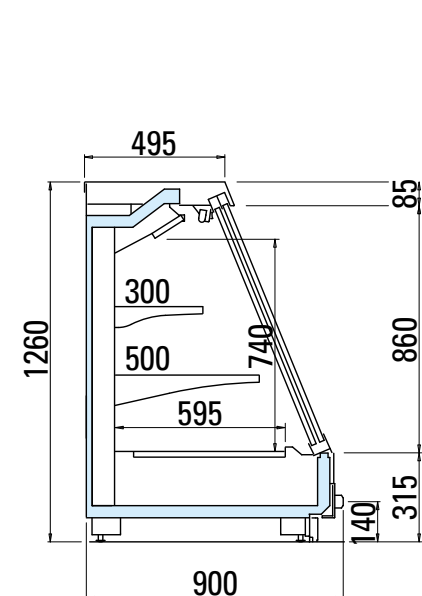
SANTIAGO 2 SVT-C-1 TN V LINEARE R

**85 H125 LF****95 H125 LF****105 H125 LF****85 H150 LF****95 H150 LF****105 H150 LF****85 H165 LF****95 H165 LF****105 H165 LF**

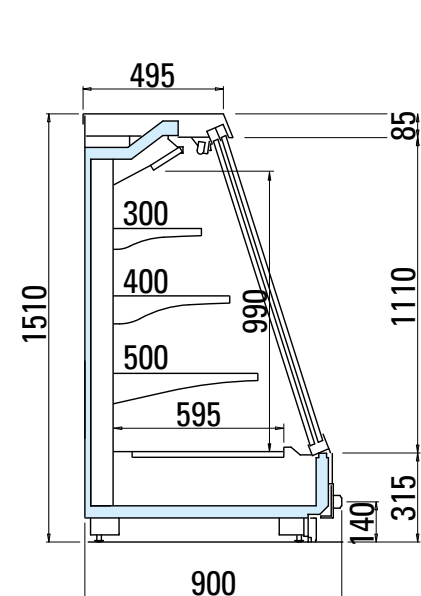
SANTIAGO 2 SVT-C-1 TN V TESTATA R

Overall length (mm)		1774	1975	2183
Height (cm)		125	165	150
Temperature class (°C)	3M0	•	•	•
	3M1	•	•	•
	3M2	•	•	•
Preservation temperature (°C)	-1/+1	•	•	•
	0/+2	•	•	•
	+2/+4	•	•	•
Horizontal display area* (m ²)		2,33	3,36	3,74
Energy class**				

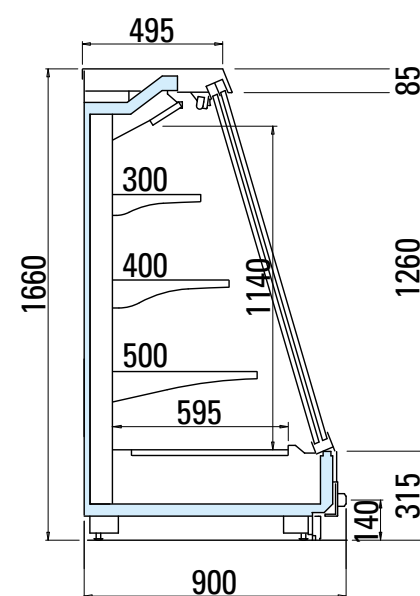
*Value referred to illustrated configurations. **The energy class may vary depending on the product configuration.



85 H125 LF



85 H150 LF



85 H165 LF



WWW.ARNEG.COM



Arnee follows a policy of continuous improvement and reserves the right to update this document at any time without prior notice.