

SERVE-OVER COUNTER AND SEMI-VERTICAL



OSAKA 3 P



A
R
N
E
G

SCENIC FUNCTIONALITY.

Elegant, essential and offering advanced performance, the **Osaka 3P** family of vertical and semi-vertical glass-door cabinets is designed to optimise the preservation and presentation of various categories of product, including meat, cheese, cold cuts, pre-packaged fish, pre-packaged fresh fruit and veg, fresh milk and soft drinks.



- Maximum transparency
- Excellent view of products
- Excellent load capacity
- Easy installation

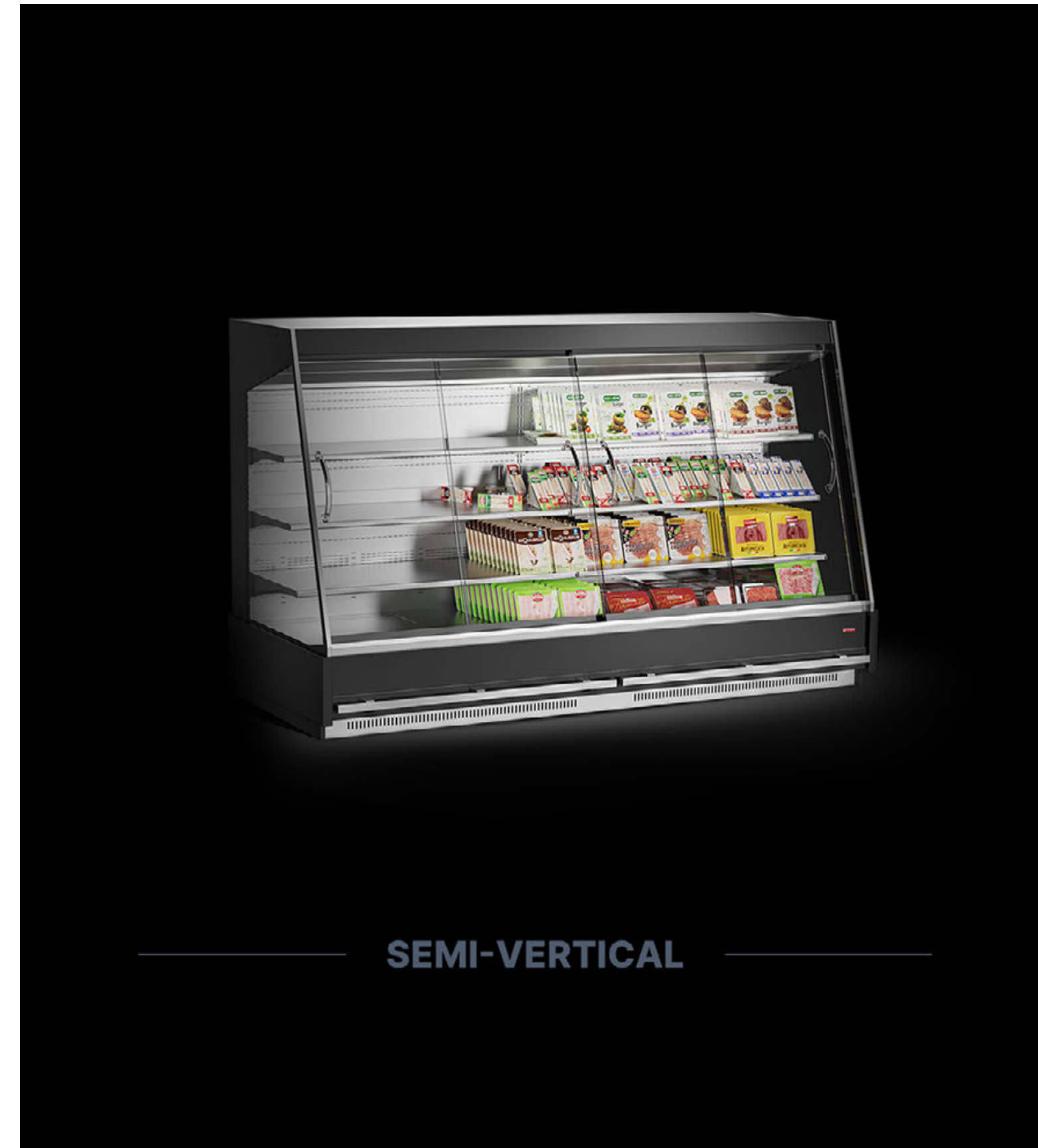




MODERN, ERGONOMIC DESIGN.

From the ergonomic point of view, all versions guarantee super-easy loading and unloading for operators and unrestricted access for customers, offering them a top-quality shopping experience.

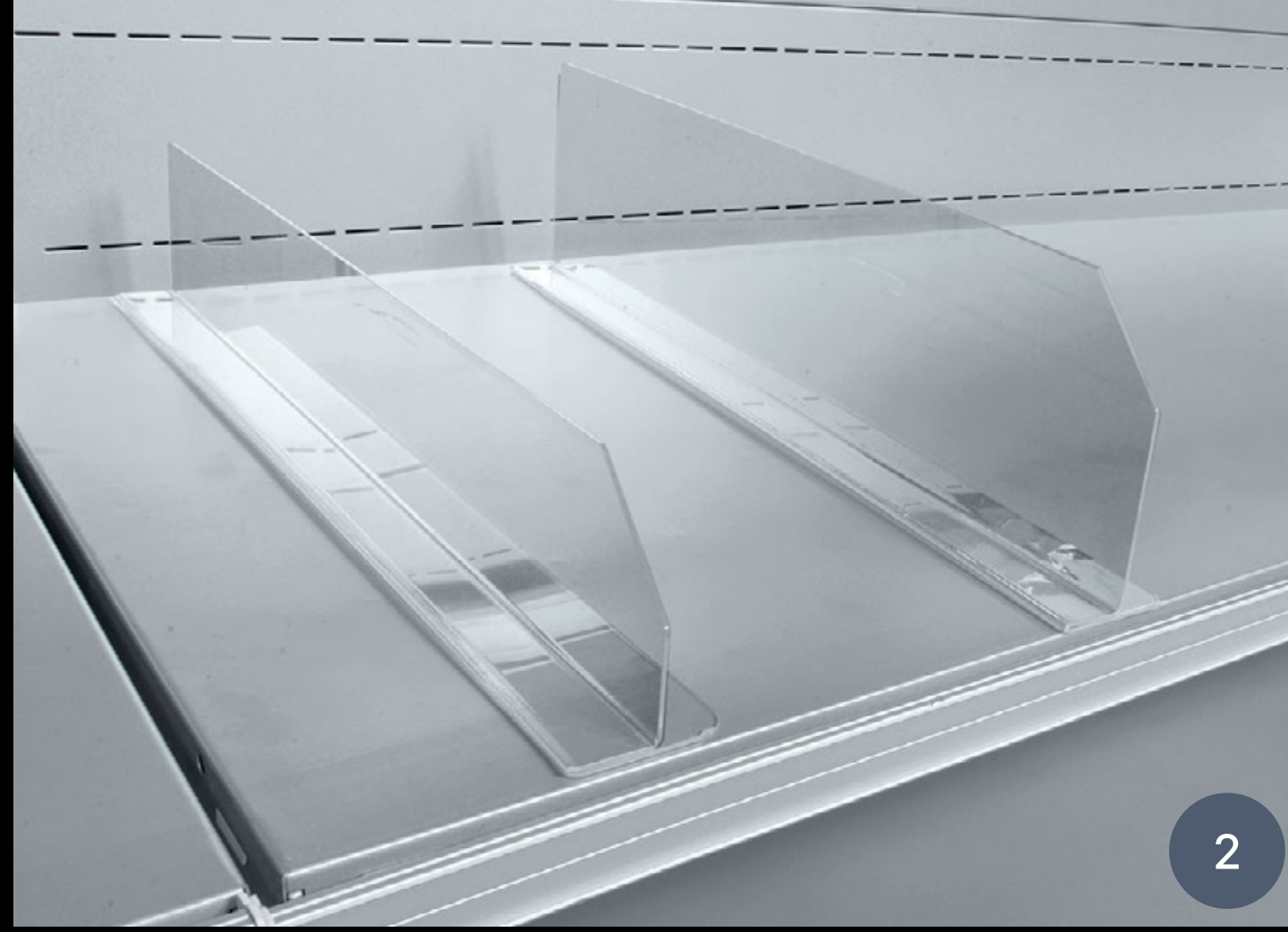
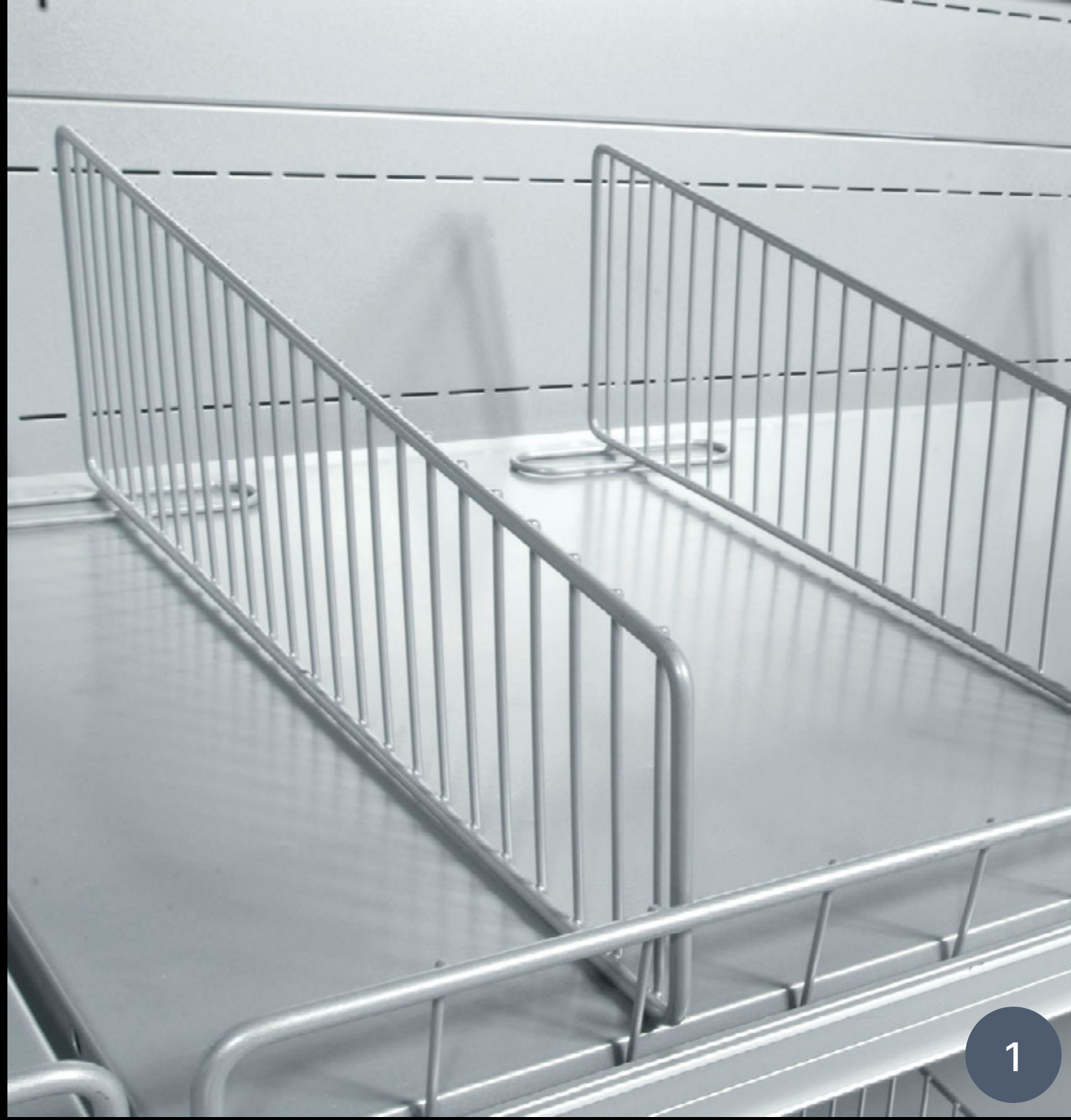
Thanks to the availability of vertical and semi-vertical versions, this family of cabinets satisfies the needs of medium and large stores alike. To combine excellent product visibility with perfect thermal insulation, the vertical version is equipped with double-glazed doors and shelves that can be adjusted to suit different display requirements.



ARNEG AIR SYSTEM: BETTER PRESERVATION, LESS CONSUMPTION.

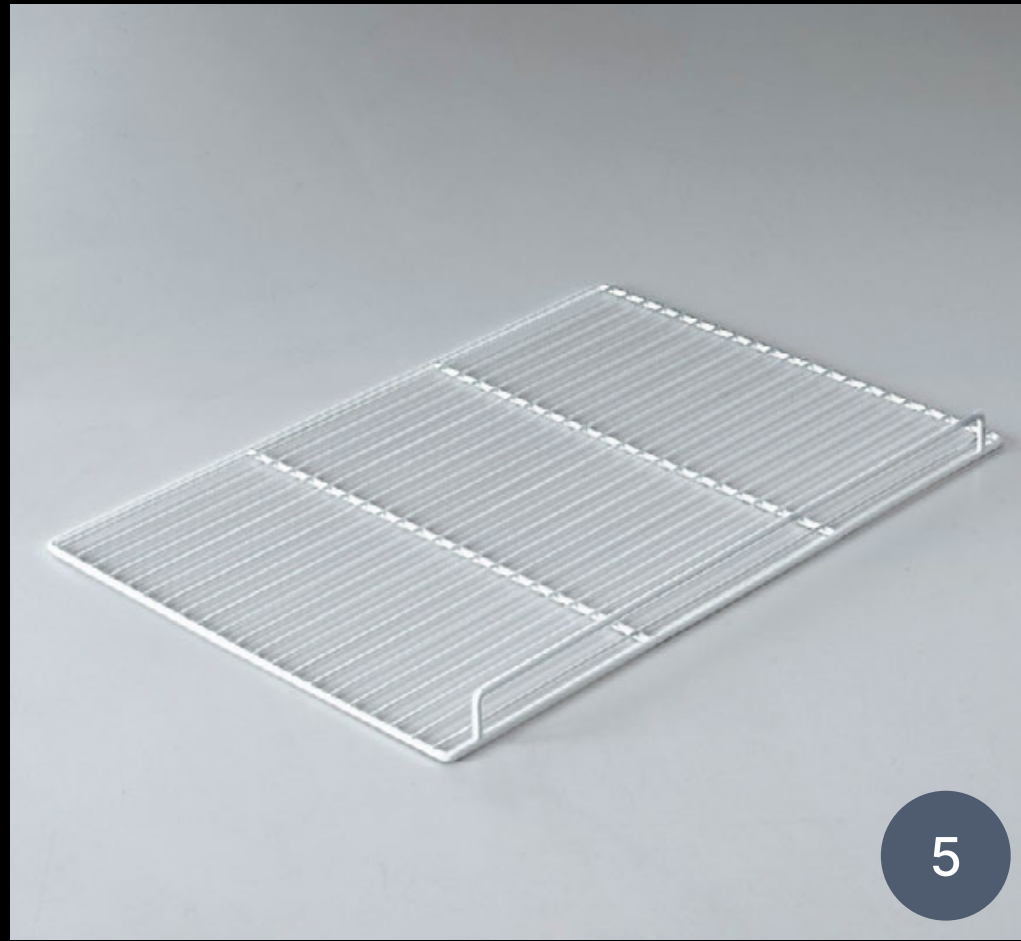
Osaka 3P Osaka 3P is available with Arneg Air System, the exclusive, patented system that directs airflow in special, dynamic air blades to keep food products at a constant temperature and optimise energy efficiency. Arneg Air System also eliminates the need for defrosting and saves up to 37% in consumption.





ACCESSORIES

- 1 - Wire deck and basin partitions
- 2 - Plexiglass deck and basin partitions
- 3 - Wire hooks
- 4 - Wire fence



5

5 - Bottom grilles

6 - Wire shelf

7 - Clear shelf

8 - 17 mm shelf



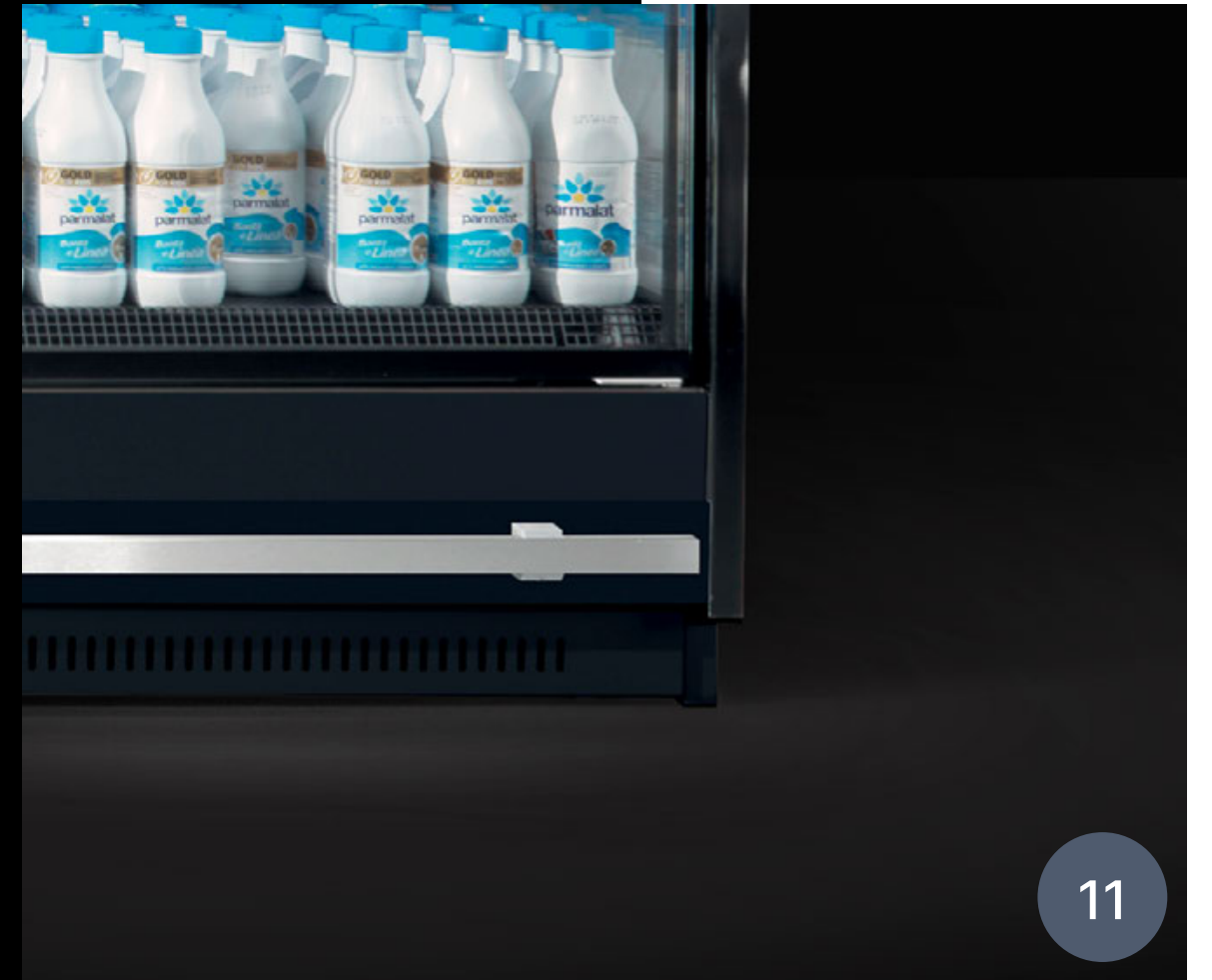
6



7



8



9 - FV mirror

10 - Telescopic bottom grilles

11 - Rectangular bumper

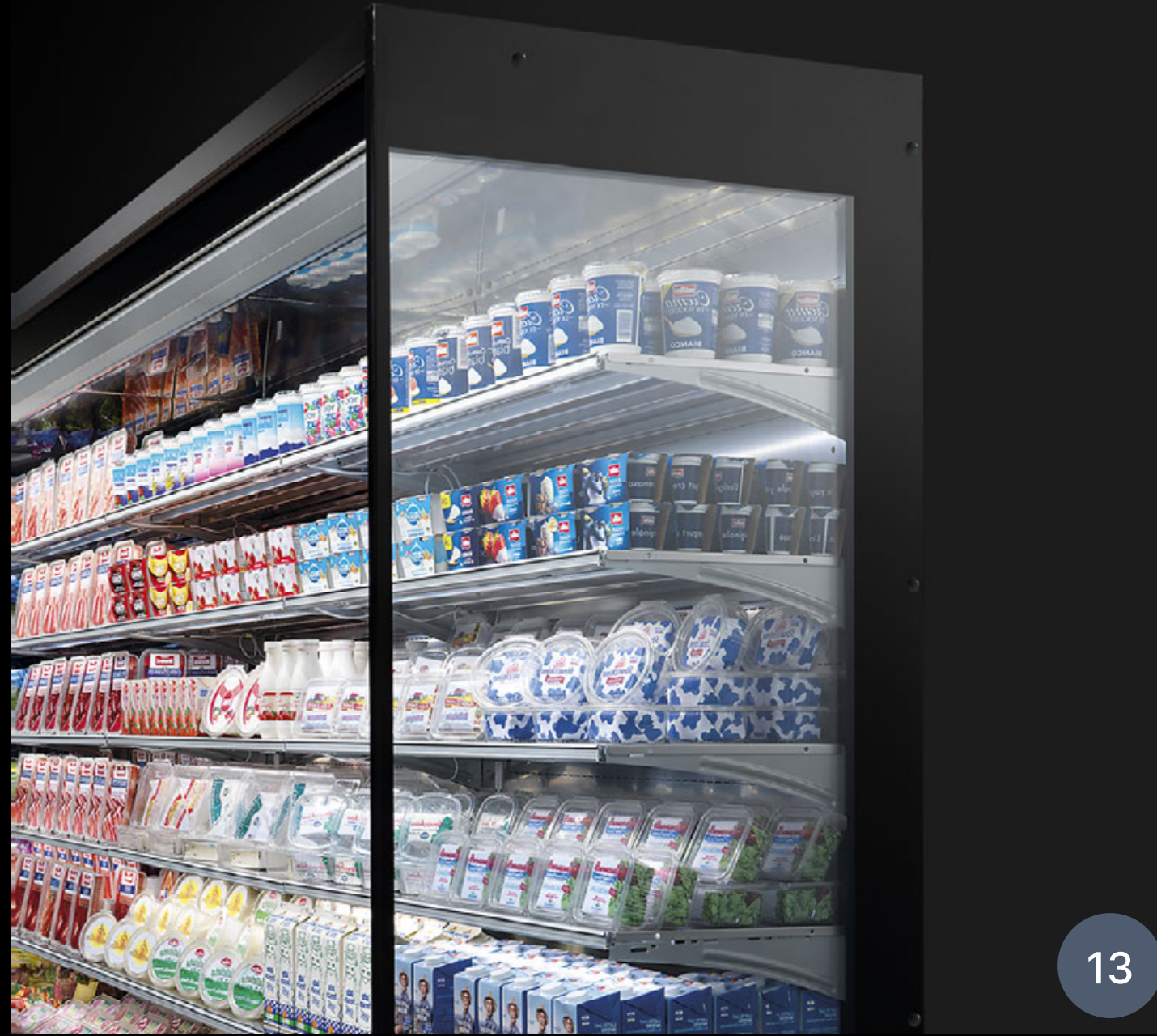
12 - Manual night blind



13 - DRVC side

14 - DRCI side

15 - Intermediate DRVC side



13



14



15



16



17



18



19

16 - Bar price holder for IMZ shelf

17 - Clear price holder for IMZ shelf

18 - H32 price-holder for IMZ shelf

19 - H25 price-holder for IMZ shelf





OSAKA 3P VRT-C-1 TN V LINEARE R

Length without side panels (mm)		1250		1875		2500		3125		3750			
Height (cm)		203	216	203	216	203	216	203	216	203	216		
Temperature class	3M0	•	•	•	•	•	•	•	•	•	•		
	3M1	•	•	•	•	•	•	•	•	•	•		
	3M2	•	•	•	•	•	•	•	•	•	•		
Preservation temperature (°C)	-1/+1	•	•	•	•	•	•	•	•	•	•		
	0/+2	•	•	•	•	•	•	•	•	•	•		
	+2/+4	•	•	•	•	•	•	•	•	•	•		
Horizontal display area* (m²)	Depth	65	2,3		3,45		4,6		5,75		6,9		
		70	2,61		3,92		5,22		-	6,53		7,83	
		75	2,92		4,39		5,85		7,31		8,77		
		80	3,24		4,85		6,47		8,09		9,71		
		85	3,3		4,95		6,6		8,25		9,9		
		90	3,36		5,04		6,72		8,4		10,08		
		100	3,49		5,24		6,99		-		10,48		
Energy class**	Depth	65-75 -80-85 -90											
		70							-				
		100							-				

*Value referred to illustrated configurations.

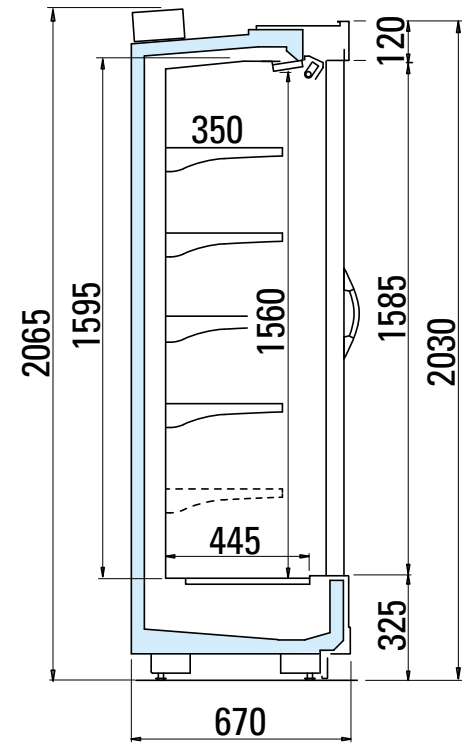
**The energy class may vary depending on the product configuration.

OSAKA 3P VRT-C-1 TN VAS LINEARE R

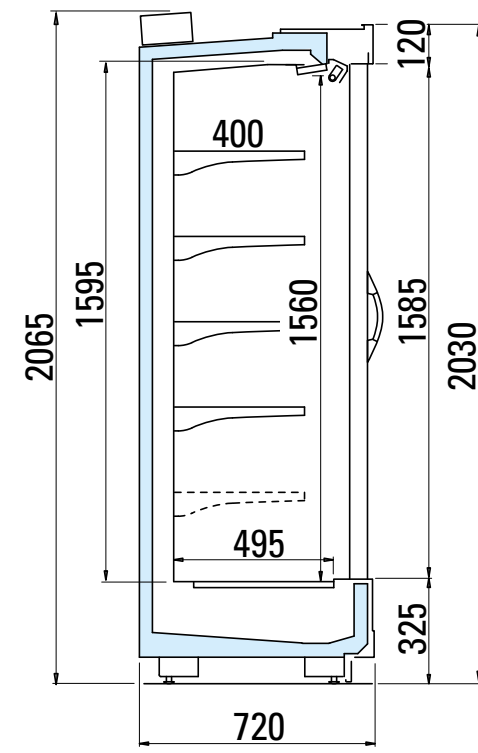
Length without side panels (mm)		1250		1875		2500		3750	
Height (cm)		203	216	203	216	203	216	203	216
Temperature class	3M0	•	•	•	•	•	•	•	•
	3M1	•	•	•	•	•	•	•	•
	3M2	•	•	•	•	•	•	•	•
Preservation temperature (°C)	-1/+1	•	•	•	•	•	•	•	•
	0/+2	•	•	•	•	•	•	•	•
	+2/+4	•	•	•	•	•	•	•	•
Horizontal display area* (m²)	Depth	65	2,3	3,45	4,6	6,9			
		70	2,61	3,92	5,22	7,83			
		75	2,92	4,39	5,85	8,77			
		80	3,24	4,85	6,47	9,71			
		85	3,3	4,95	6,6	9,9			
		90	3,36	5,04	6,72	10,08			
		100	3,49	5,24	6,99	10,48			
Energy class**	Depth	65 - 70 - 75 - 80 - 85 - 90 - 100							

*Value referred to illustrated configurations.

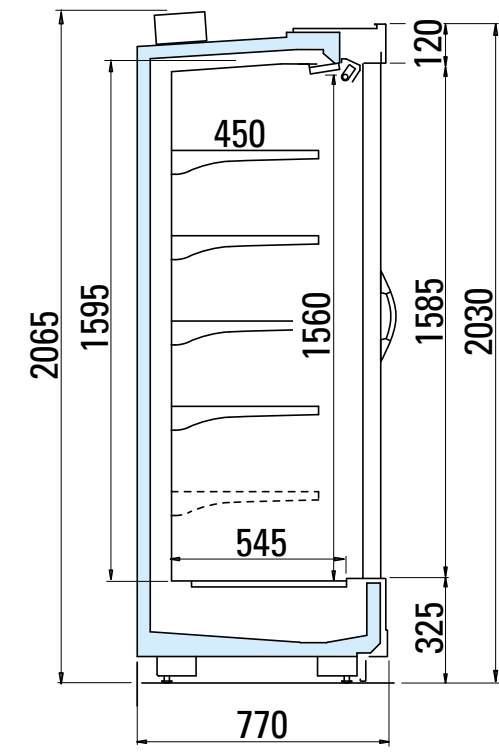
**The energy class may vary depending on the product configuration.



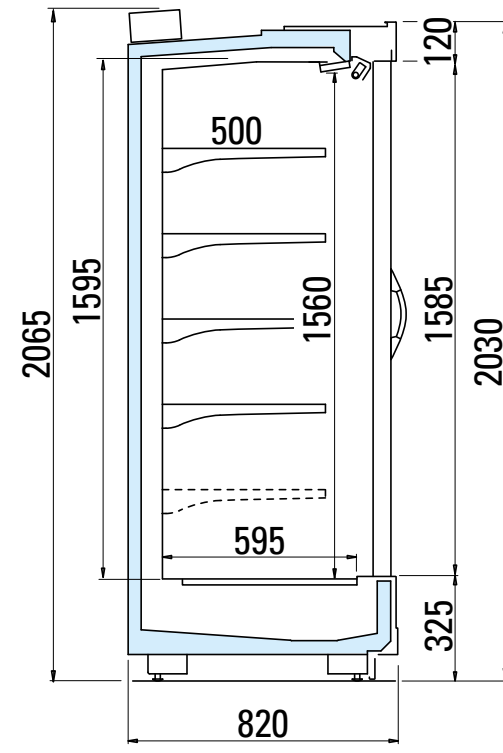
65 H203



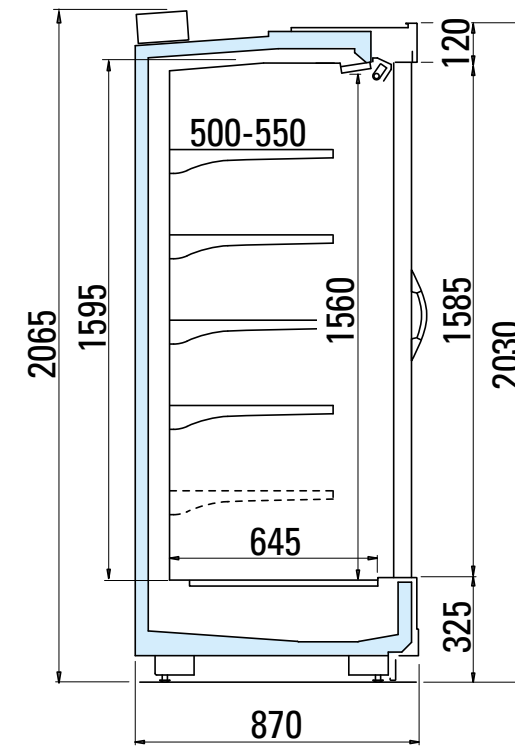
70 H203



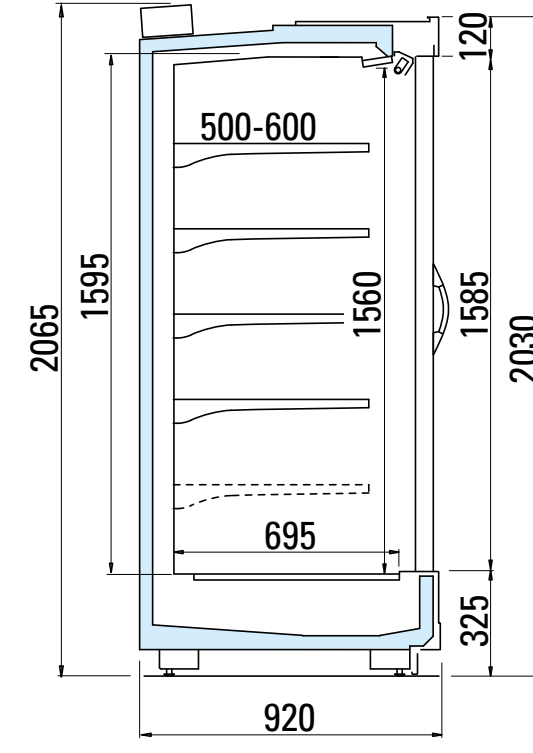
75 H203



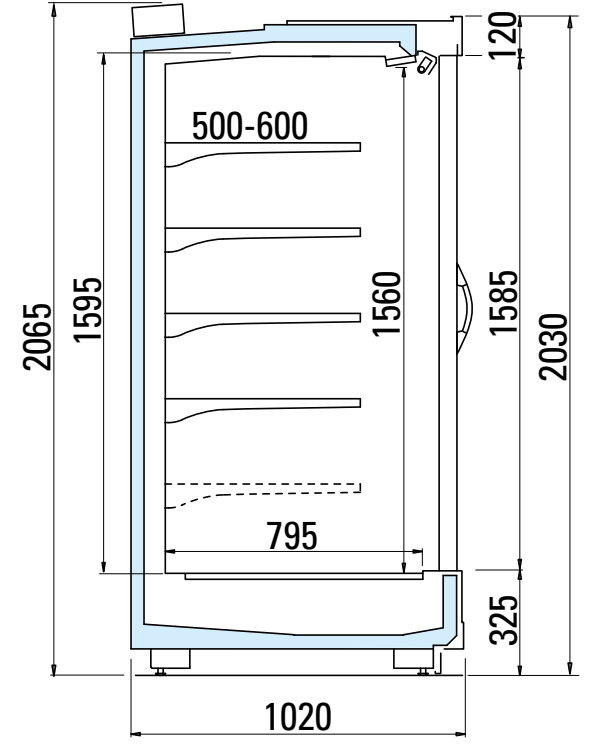
80 H203



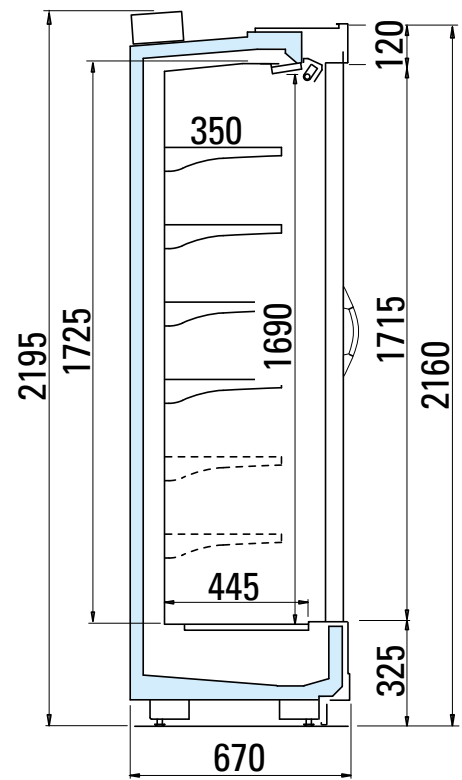
85 H203



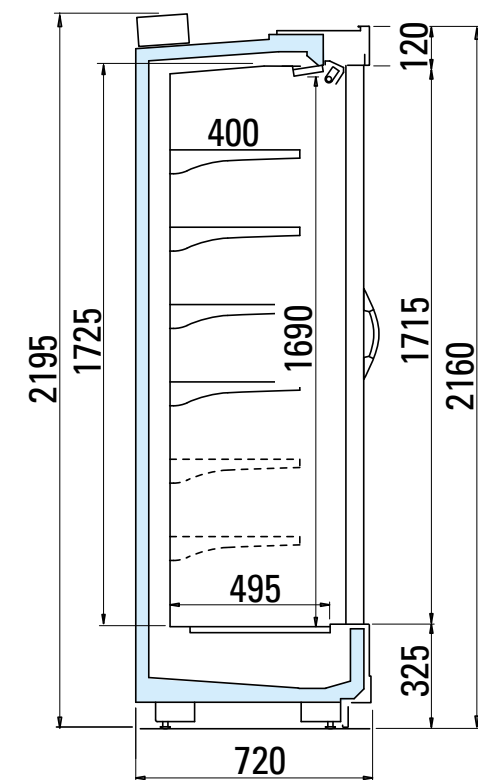
90 H203



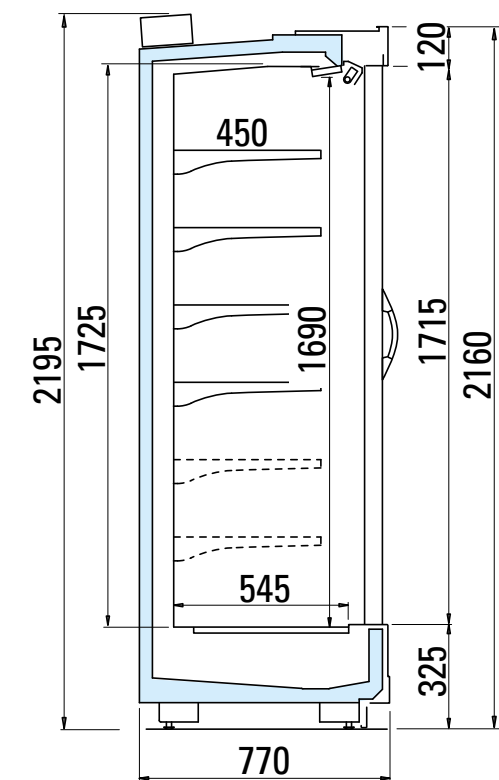
100 H203



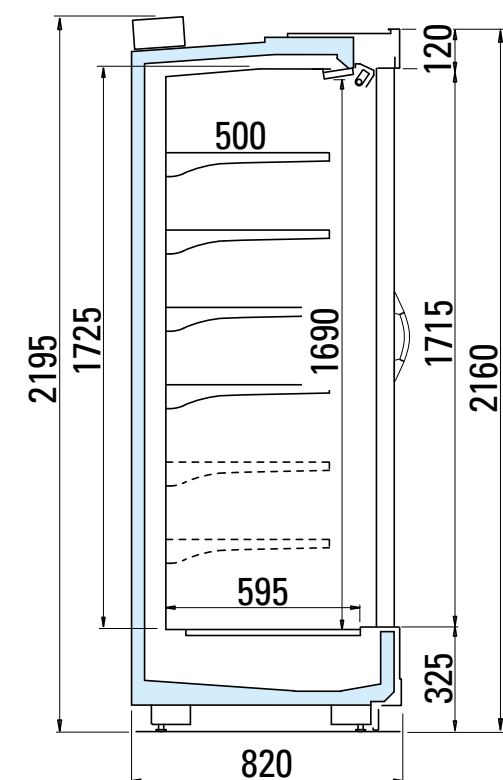
65 H216



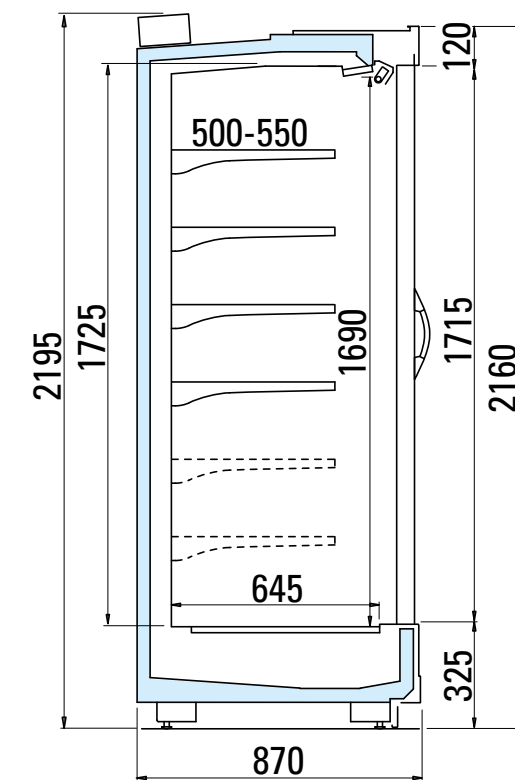
70 H216



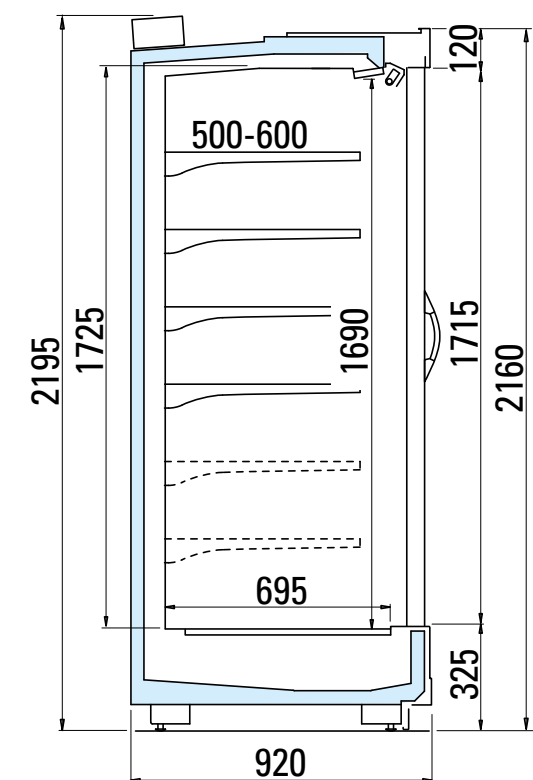
75 H216



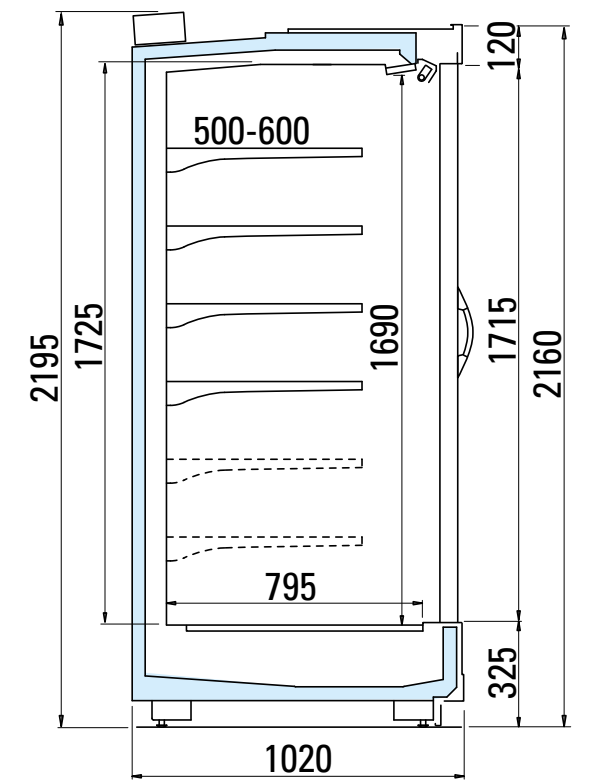
80 H216



85 H216



90 H216



100 H216

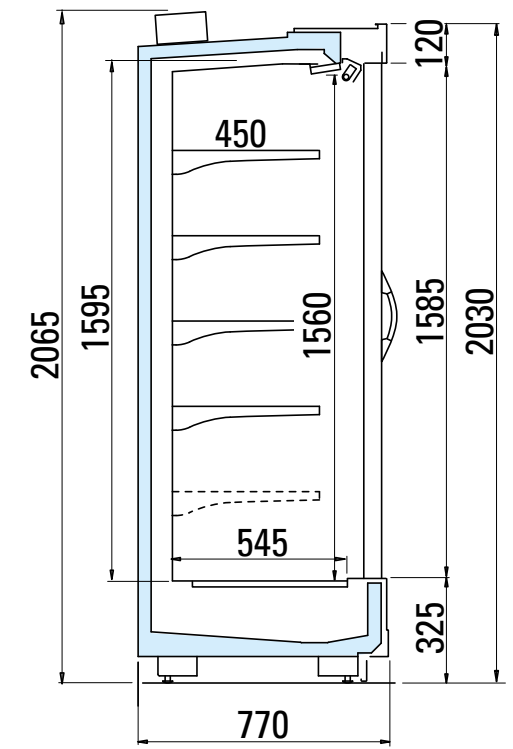
OSAKA 3P VRT-C-1 TN V TESTATA R

Overall length (mm)		1350		1433		1600		1774		1975	
Height (cm)		203	216	203	216	203	216	203	216	203	216
Temperature class	3M0	•		•		•		•		•	
	3M1	•		•		•		•		•	
	3M2	•		•		•		•		•	
Preservation temperature (°C)	-1/ +1	•		•		•		•		•	
	0/ +2	•		•		•		•		•	
	+2/ +4	•		•		•		•		•	
Horizontal display area* (m²)		2,92		3,12		3,51		3,91		4,39	
Energy class**		A+G C		A+G C		A+G C		A+G C		A+G C	

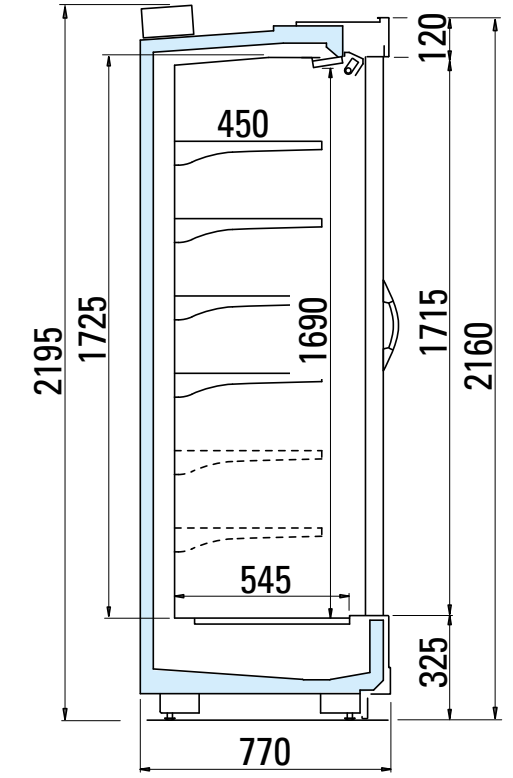
OSAKA 3P VRT-C-1 TN VAS TESTATA R

Overall length (mm)		1600				1975			
Height (cm)		203		216		203		216	
Temperature class	3M0	•		•		•		•	
	3M1	•		•		•		•	
	3M2	•		•		•		•	
Preservation temperature (°C)	-1/ +1	•		•		•		•	
	0/ +2	•		•		•		•	
	+2/ +4	•		•		•		•	
Horizontal display area* (m²)		3,51				4,39			
Energy class**		A+G B				A+G B			

*Value referred to illustrated configurations.
 **The energy class may vary depending on the product configuration.



75 H203



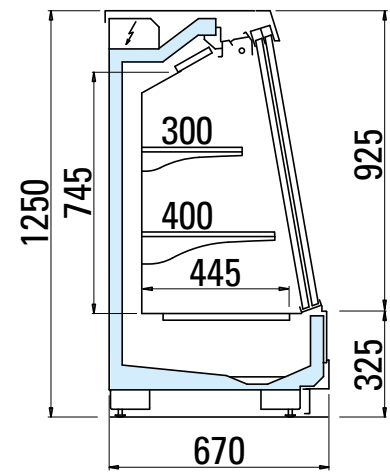
75 H216

OSAKA 3P SVT-C-1 TN V LINEARE R

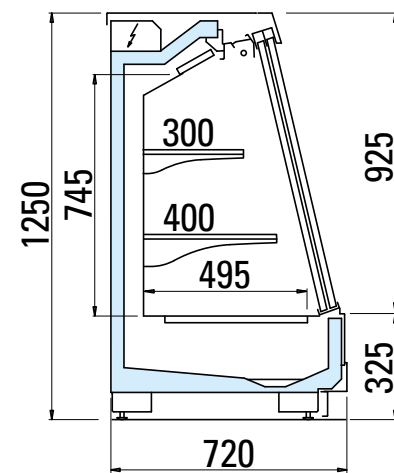
Length without side panels (mm)		1250			1875			2500			3750		
Height (cm)		125	150	165	125	150	165	125	150	165	125	150	165
Temperature class	3M0	•	•	•	•	•	•	•	•	•	•	•	•
	3M1	•	•	•	•	•	•	•	•	•	•	•	•
	3M2	•	•	•	•	•	•	•	•	•	•	•	•
Preservation temperature (°C)	-1/ +1	•	•	•	•	•	•	•	•	•	•	•	•
	0/ +2	•	•	•	•	•	•	•	•	•	•	•	•
	+2/ +4	•	•	•	•	•	•	•	•	•	•	•	•
Horizontal display area* (m²)	Depth	65	1,42	1,86	2,14	2,79	2,85	3,72	4,27	5,58			
		70	-	1,92	-	2,89	-	3,85	-	5,77			
		75	1,55	1,99	2,32	2,98	3,1	3,97	4,65	5,96			
		80	-	2,17	-	3,26	-	4,35	-	6,52			
		85	-	2,3	-	3,45	-	4,6	-	6,9			
		90	-	2,36	-	3,54	-	4,72	-	7,08			
Energy class**	Depth	65-75	A+G D			A+G D			A+G D				
		70-80 -85-90	-	A+G D		-	A+G D		-	A+G D			

*Value referred to illustrated configurations.

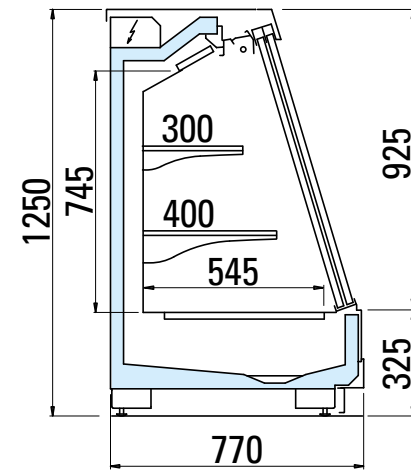
**The energy class may vary depending on the product configuration.



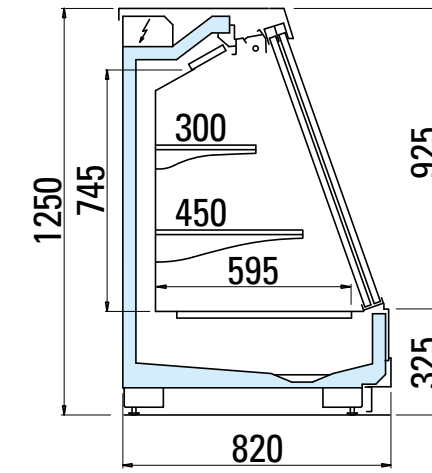
65 H125



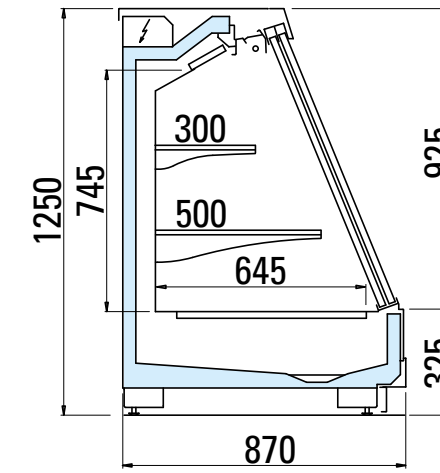
70 H125



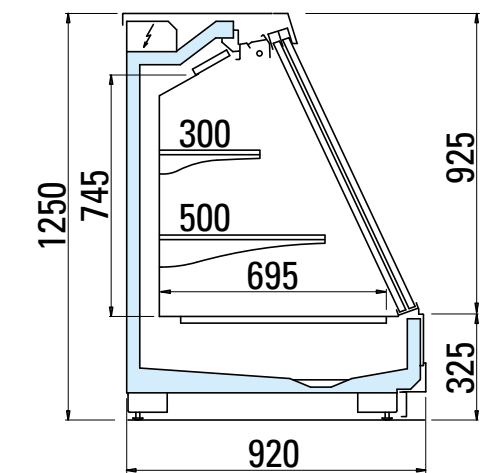
75 H125



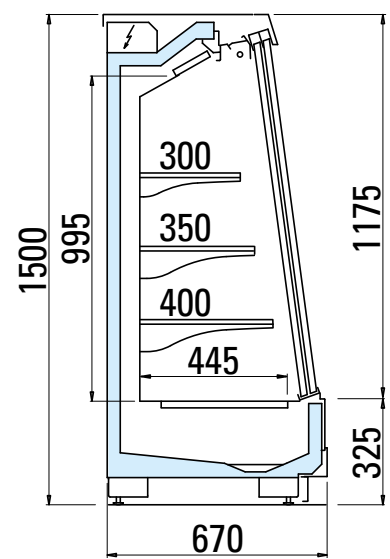
80 H125



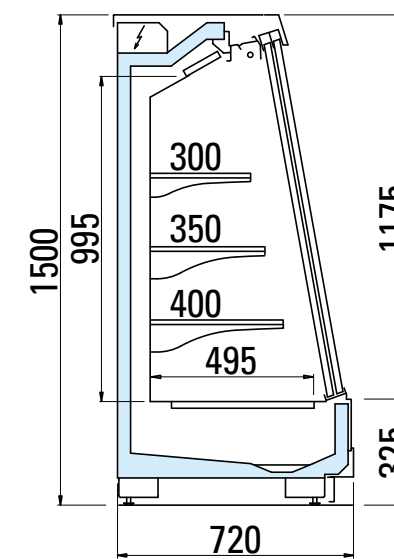
85 H125



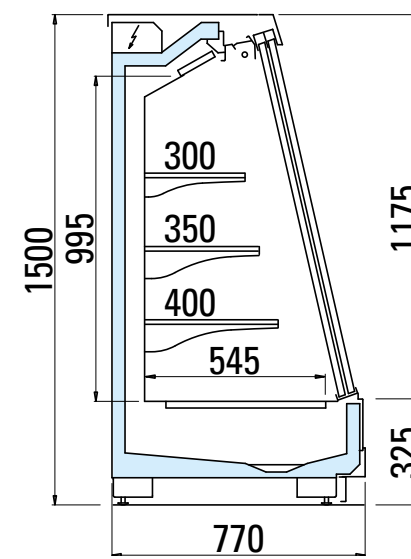
90 H125



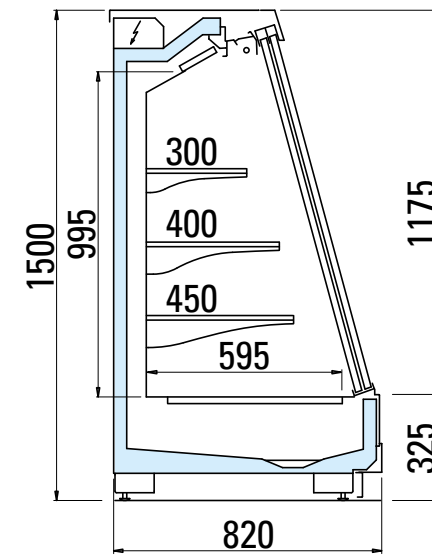
65 H150



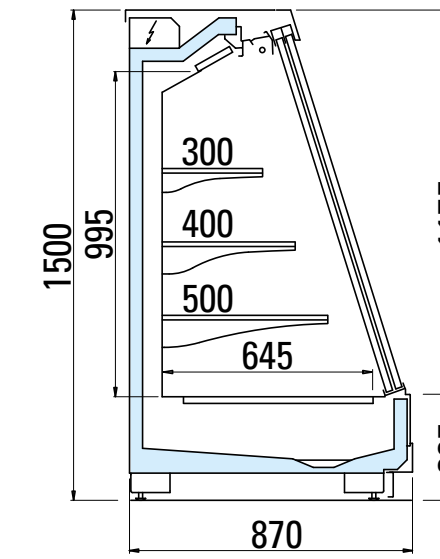
70 H150



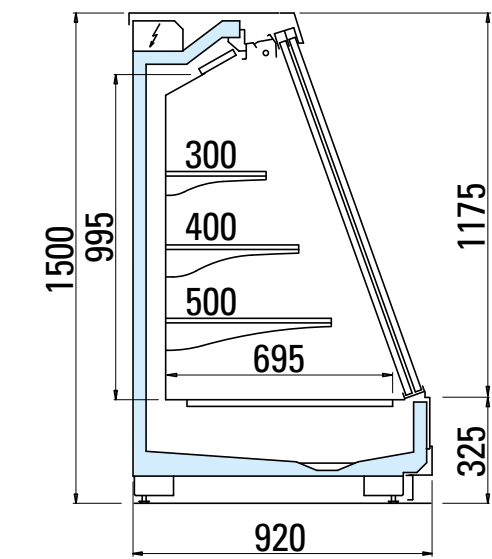
75 H150



80 H150










85 H150



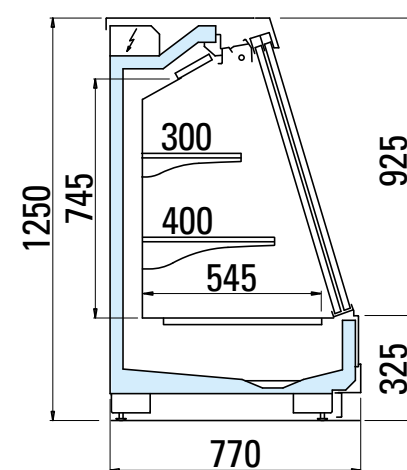
90 H150

OSAKA 3P SVT-C-1 TN V TESTATA R

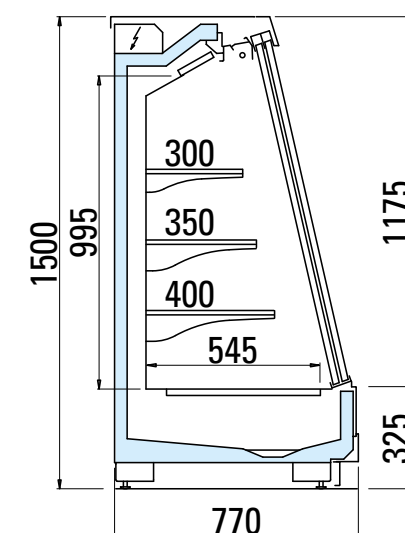
Overall length (mm)	1350	1433		1600		1774	1975
Height (cm)	150	125	150	125	150	150	150
Temperature class	3M0	•	•	•	•	•	•
	3M1	•	•	•	•	•	•
	3M2	•	•	•	•	•	•
	-1/ +1	•	•	•	•	•	•
Preservation temperature (°C)	0/ +2	•	•	•	•	•	•
	+2/ +4	•	•	•	•	•	•
Horizontal display area* (m²)	1,99	1,65	2,12	1,86	2,38	2,66	2,98
Energy class**							

*Value referred to illustrated configurations.

**The energy class may vary depending on the product configuration.



75 H125



75 H150

ED. 00 - 30/07/2024

arneg[®]

WWW.ARNEG.COM



Arneg follows a policy of continuous improvement and reserves the right to update this document at any time without prior notice.