

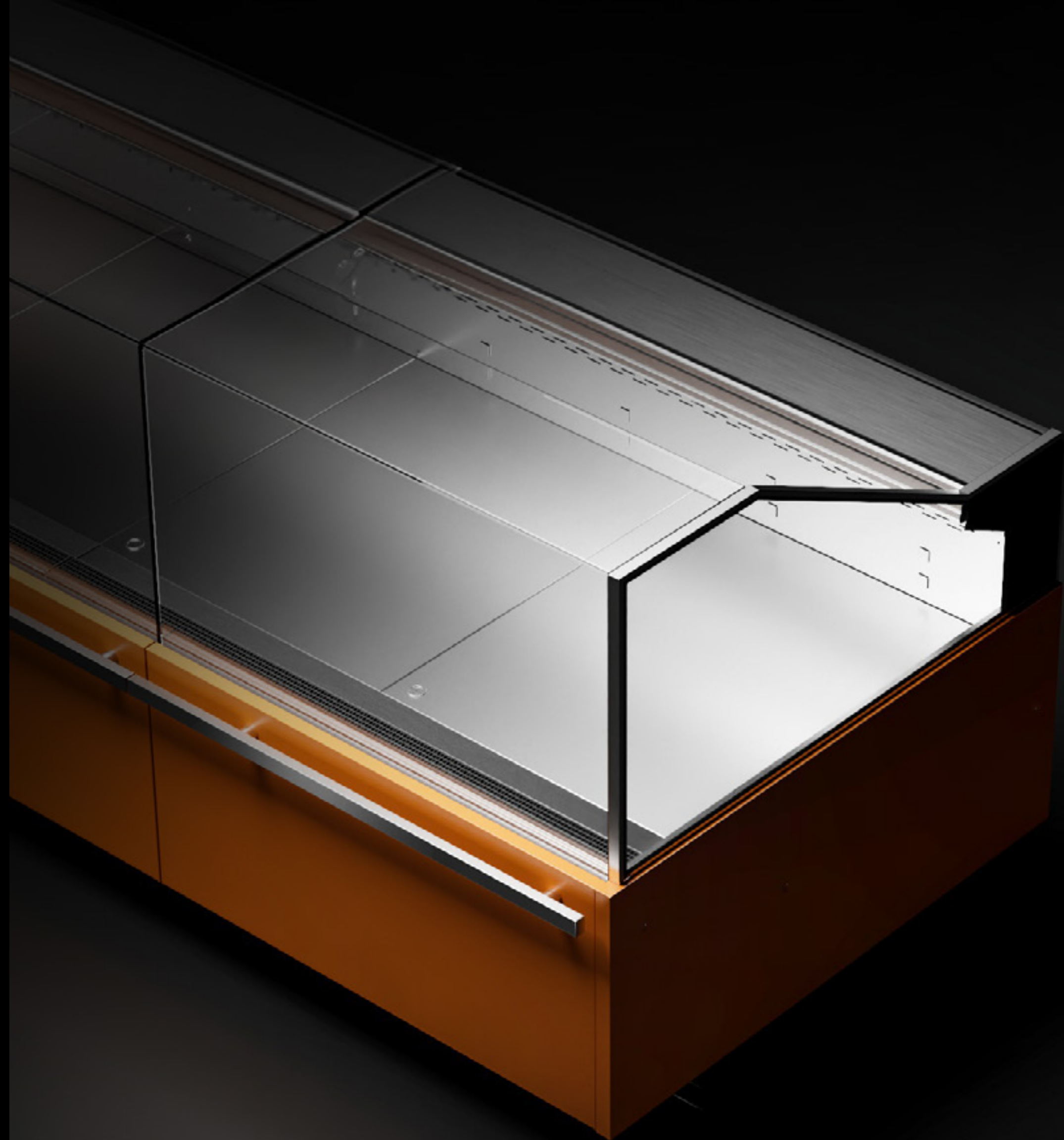
SERVE-OVER COUNTER AND SEMI-VERTICAL

□□□

MELK



A
R
N
E
G



PERFORMANCE ON DISPLAY.

Thanks to a wide range of models and exclusive functionality, **Melk** displays fully satisfy the needs of stores in search of innovative, flexible and high-performance solutions. Modern design, excellent visibility and freedom to customise: every detail has been optimised to offer a shopping experience in line with the latest consumer trends.

THE EVOLUTION OF VERSATILITY.

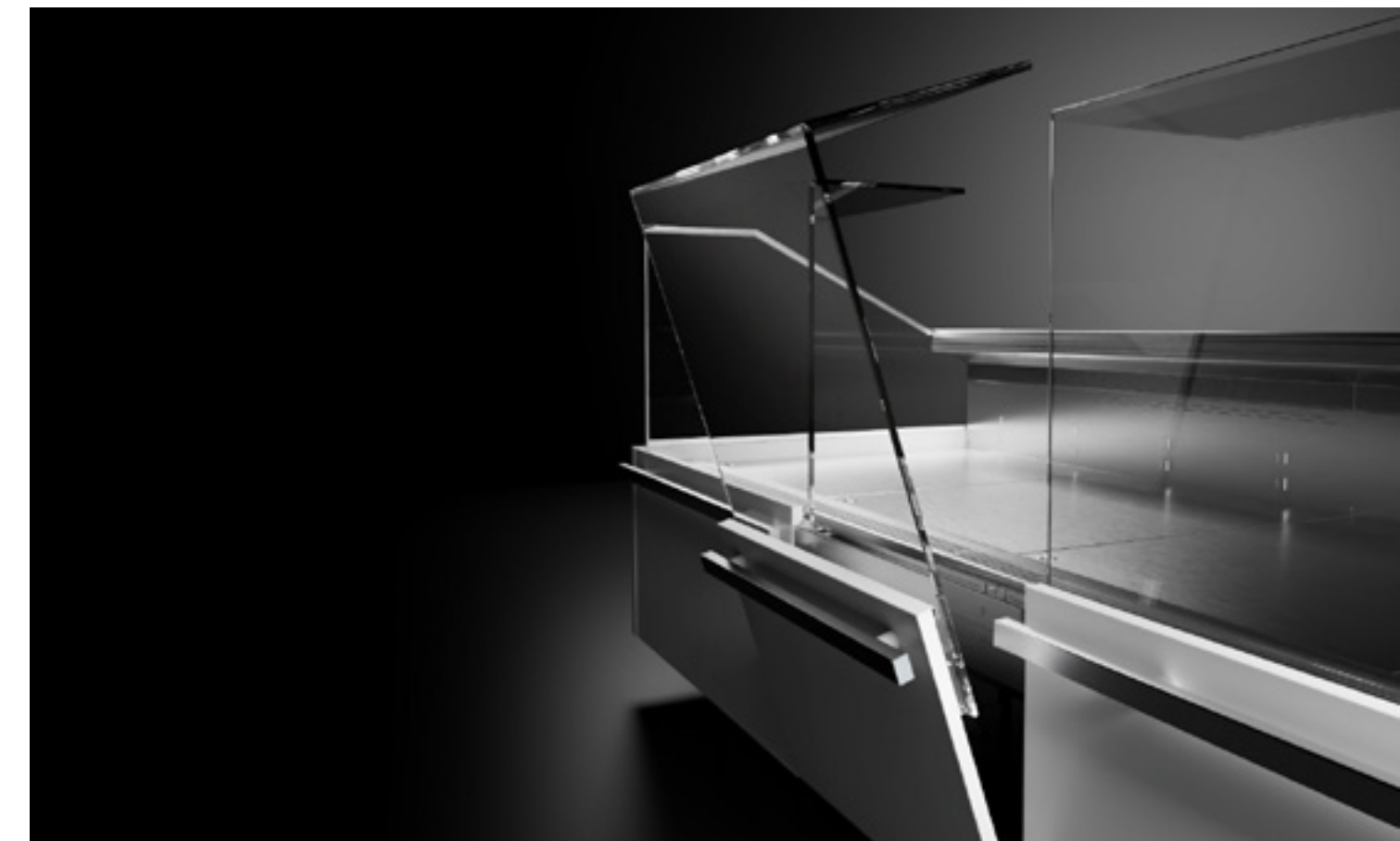
Melk comes as a counter and in semi-vertical and hot case versions. The hot case is in turn available in bain-marie and pie warmer formats.





ERGONOMIC SERVICE.

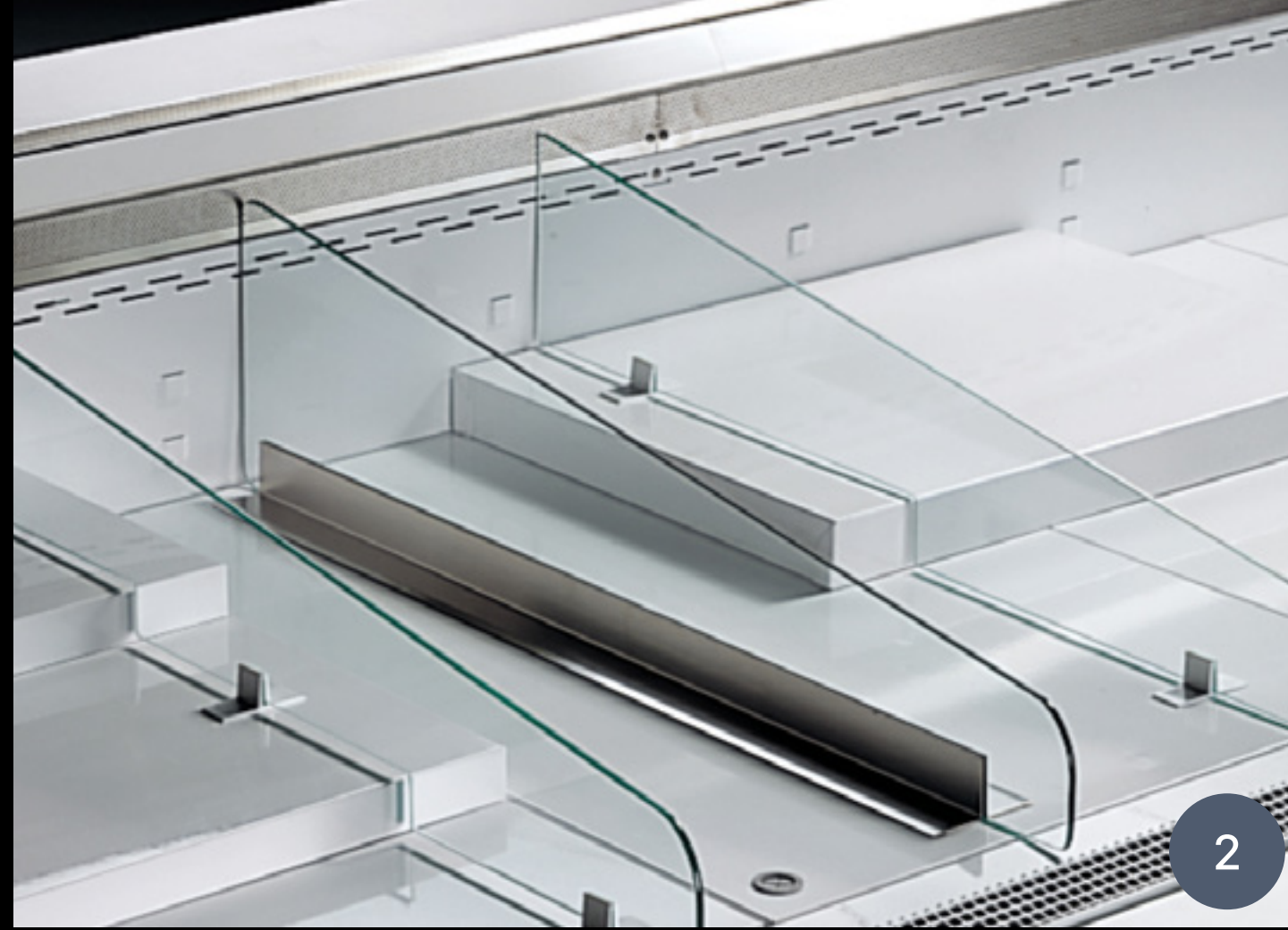
The serve-over version comes with a special mechanism for opening the glass front. This greatly facilitates the loading of food into the refrigerated basins and also simplifies cleaning operations.





THE LATEST IN PRESENTATION.

Thanks to its contemporary lines and impressive transparency, Melk offers a great way to improve the image of any store. Users requiring even greater visibility can fit the counter tower with a special, vertical module to display products of high value.



ACCESSORIES

1 - Bread grille

2 - Glass basin partitions

3 - Polythene cutting board

4 - Bag hook



5 - Paper holder



6 - Slicer holder



7 - Sliding stainless-steel shelf

8 - Knife holder



8



12 - Sliding polythene cutting board

13 - Scales holder

14 - V2-step stainless-steel tray

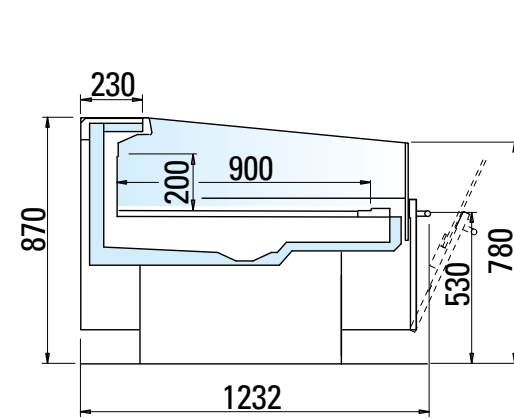
15 - 3-step stainless-steel tray



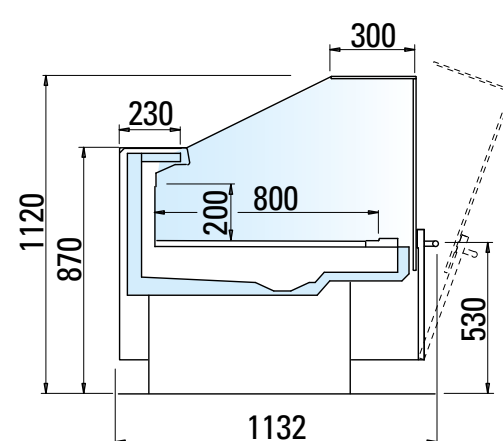
MELK VETR TN V LINEARE R

Length without side panels (mm)		625	937	1250	1562	1875	2500	2812	3750
Temperature class	3M1	•	•	•	•	•	•	•	•
	3M2	•	•	•	•	•	•	•	•
Preservation temperature (°C)	0/+2	•	•	•	•	•	•	•	•
	+2/+4	•	•	•	•	•	•	•	•
Horizontal display area* (m ²)	Depth 80	-	0,75	1	-	1,5	2	-	-
	90	0,56	0,84	1,13	1,41	1,69	2,25	2,53	3,38
Energy class**	Depth 80	-	A+G F	A+G F	-	A+G F	A+G F	-	-
	90	A+G F	A+G F	A+G F	A+G F	A+G F	A+G F	A+G F	A+G F

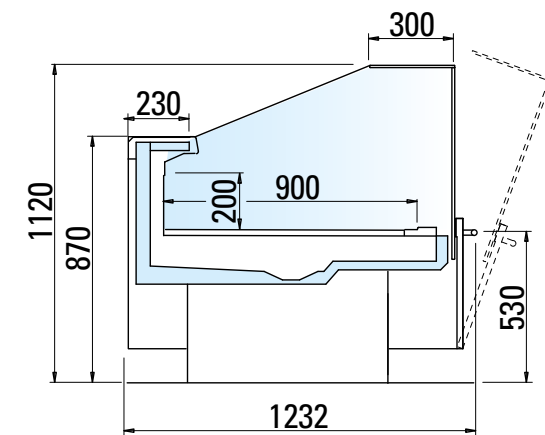
*Value referred to illustrated configurations. **The energy class may vary depending on the product configuration.



SELF 90



VDB 80

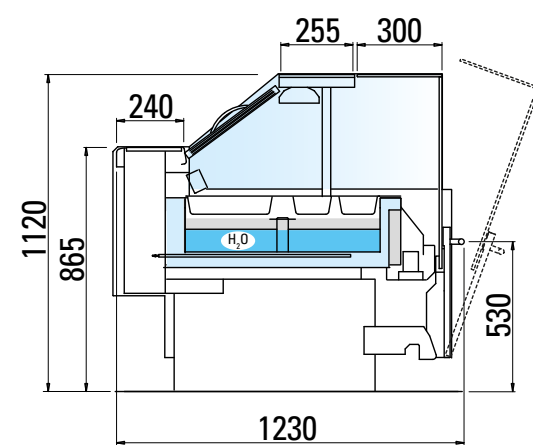


VDB 90

MELK VETR-BM TC LINEARE

Length without side panels (mm)		937	1250
Stored product temperature (°C)	+65	•	•
Horizontal display area* (m ²)		0,54	0,76

Model not subject to energy labelling.

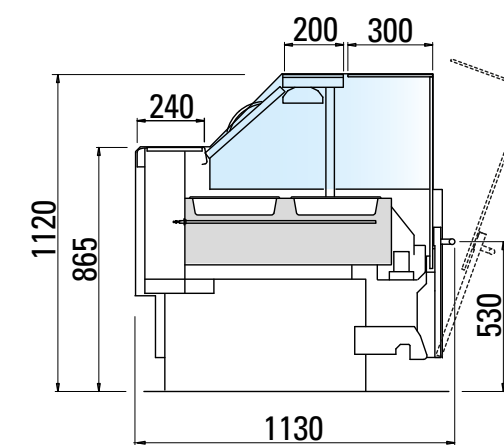


VDB 90

MELK VETR-PW TC LINEARE

Length without side panels (mm)		1250
Stored product temperature (°C)	+65	•
Horizontal display area* (m ²)		0,76

Model not subject to energy labelling.

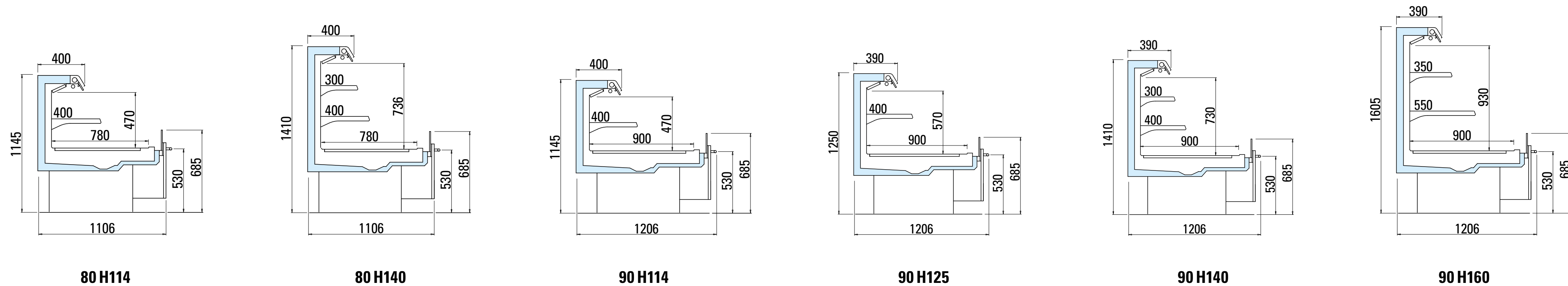


VDB 80

MELK SVT-A-1 TN V LINEARE R

Length without side panels (mm)		937			1250		1875				2500				3750				
Height (cm)		114	125	160	114	140	114	125	140	160	114	125	140	160	114	125	140	160	
Temperature class	3M1	•	•	•	•	•	•	•	•	•	•	•	•	•	•	•	•	•	•
	3M2	•	•	•	•	•	•	•	•	•	•	•	•	•	•	•	•	•	•
Preservation temperature (°C)	0/+2	•	•	•	•	•	•	•	•	•	•	•	•	•	•	•	•	•	•
	+2/+4	•	•	•	•	•	•	•	•	•	•	•	•	•	•	•	•	•	•
Horizontal display area* (m²)	Depth 80	-	-	-	1,48	-	2,21	-	-	-	2,95	-	-	-	-	-	-	-	-
	90	1,2	2,11	1,6	1,98	2,4	2,97	4,22	3,21	3,95	5,63	4,81	5,93	8,44					
Energy class**	Depth 80	-	-	E	-	E	-	-	E	-	-	-	-	-	-	-	-	-	-
	90	E	E	E	E	E	E	E	E	E	E	E	E	E	E	E	E	E	E

*Value referred to illustrated configurations. **The energy class may vary depending on the product configuration.



ED. 00 - 20/11/2023



WWW.ARNEG.COM



Arneg follows a policy of continuous improvement and reserves the right to update this document at any time without prior notice.