

VERTICAL

# MALAGA



A  
R  
N  
E  
G



# TRANSPARENCY COMES TO THE FORE.

With its modern, minimalist design, focus on fresh products and small footprint compared to load capacity, **Malaga** is the vertical glass-door cabinet that satisfies the needs of all sizes of store. Malaga is perfect for self-service sales and able to preserve a wide variety of foods.

- Panoramic view of products
- Easy access to foods
- Focus on quality and freshness





# DESIGNED TO ENHANCE ANY SETTING.

Essential, modern and with a panoramic view that enhances the appearance of all foods, **Malaga** stands out for its advanced functionality and extremely stylish looks. The cabinet blends perfectly with all Arneg products, making it ideal for furnishing stores that require a seductive style.



- **High load capacity**
- **Minimum footprint**
- **Ideal for small, medium and large stores**





# VARIETY ATTRACTS.

Meat, cheese and cold cuts. And more besides! This vertical cabinet meets the preservation and presentation needs of a wide range of foods including patisserie, cold deli, pre-packed fish and drinks. Malaga offers maximum choice from a minimum footprint.




MALAGA VRT-C-1 TN V LINEARE R

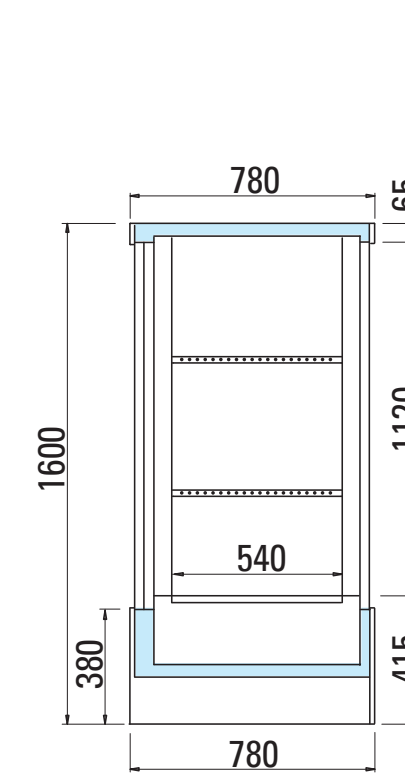
|  |              |   |  |   |
|--|--------------|---|--|---|
| Length without side panels (mm)            |              | <b>937</b>  |  | <b>1250</b>   |
| Height (cm)                                |              | <b>210</b>  |  | <b>160</b> <b>210</b>   |
| Temperature class                          | <b>3M0</b>   | •   |  | •   |
|  | <b>3M1</b>   | •   |  | •   |
|  | <b>3M2</b>   | •   |  | •   |
| Preservation temperature (°C)              | <b>-1/+1</b> | •   |  | •   |
|  | <b>0/+2</b>  | •   |  | •   |
|  | <b>+2/+4</b> | •   |  | •   |
| Horizontal display area* (m <sup>2</sup> ) |              | 1,95  |  | 2      2,6  |
| Energy class**                             |              |  |  |  |

\*Value referred to illustrated configurations. \*\*The energy class may vary depending on the product configuration.

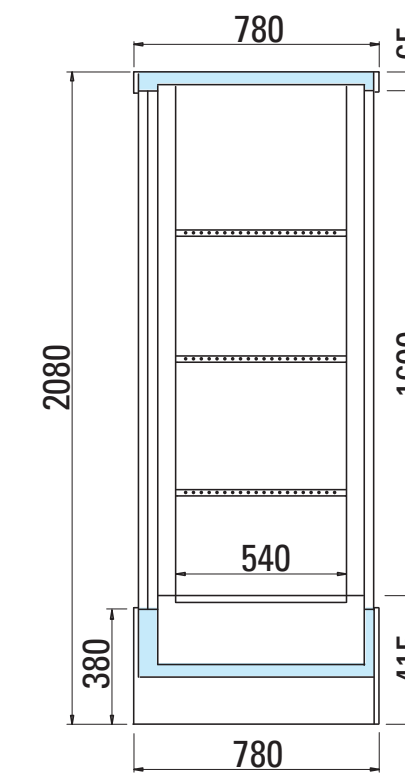
MALAGA VRT-C-1 TN S LINEARE R

|  |             |   |
|--|-------------|---|
| Length without side panels (mm)            |             | <b>1250</b>   |
| Height (cm)                                |             | <b>210</b>  |
| Temperature class                          | <b>3M1</b>  | •   |
| Preservation temperature (°C)              | <b>0/+2</b> | •   |
| Horizontal display area* (m <sup>2</sup> ) |             | 2,6   |
| Energy class**                             |             |  |

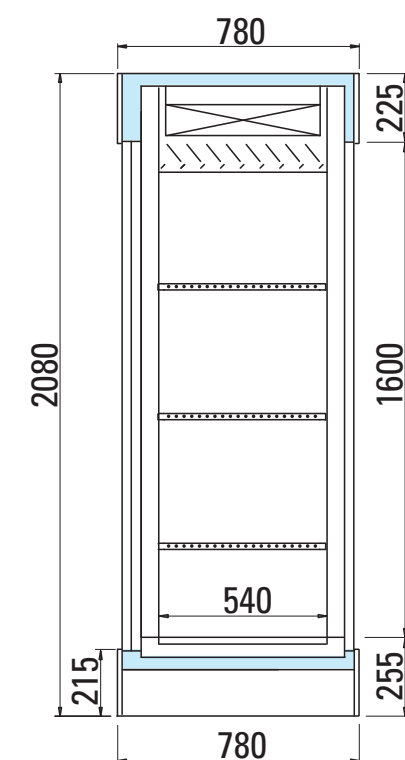
\*Value referred to illustrated configurations. \*\*The energy class may vary depending on the product configuration.



H160



H210



H210

ED. 00 - 31/08/2023

**arneg**<sup>®</sup>

[WWW.ARNEG.COM](http://WWW.ARNEG.COM)



Arneg follows a policy of continuous improvement and reserves the right to update this document at any time without prior notice.