

SERVE-OVER COUNTER AND SEMI-VERTICAL

□□□

# LISBONA 2



A  
R  
N  
E  
G



# VISIBILITY IN MODERN FORM.

Designed to maximise product visibility, the **Lisbona 2** family of refrigerated displays can present a wide range of food products, optimising refrigerated space and boosting performance. Versatile, easy to install and essential, this new family of retail solutions is designed to meet the needs of contemporary stores.

# GREATER DISPLAY FLEXIBILITY.

The vertical multi-deck version is complemented by a semi-vertical solution. Both are available in various sizes. This versatility means the **Lisbona 2** structure adapts easily to any display design requirements.



- Suitable for various kinds of food
- Unrivalled transparency and visibility
- Optimised use of height
- Minimum footprint
- Excellent performance





# THE BENEFIT OF VARIETY.

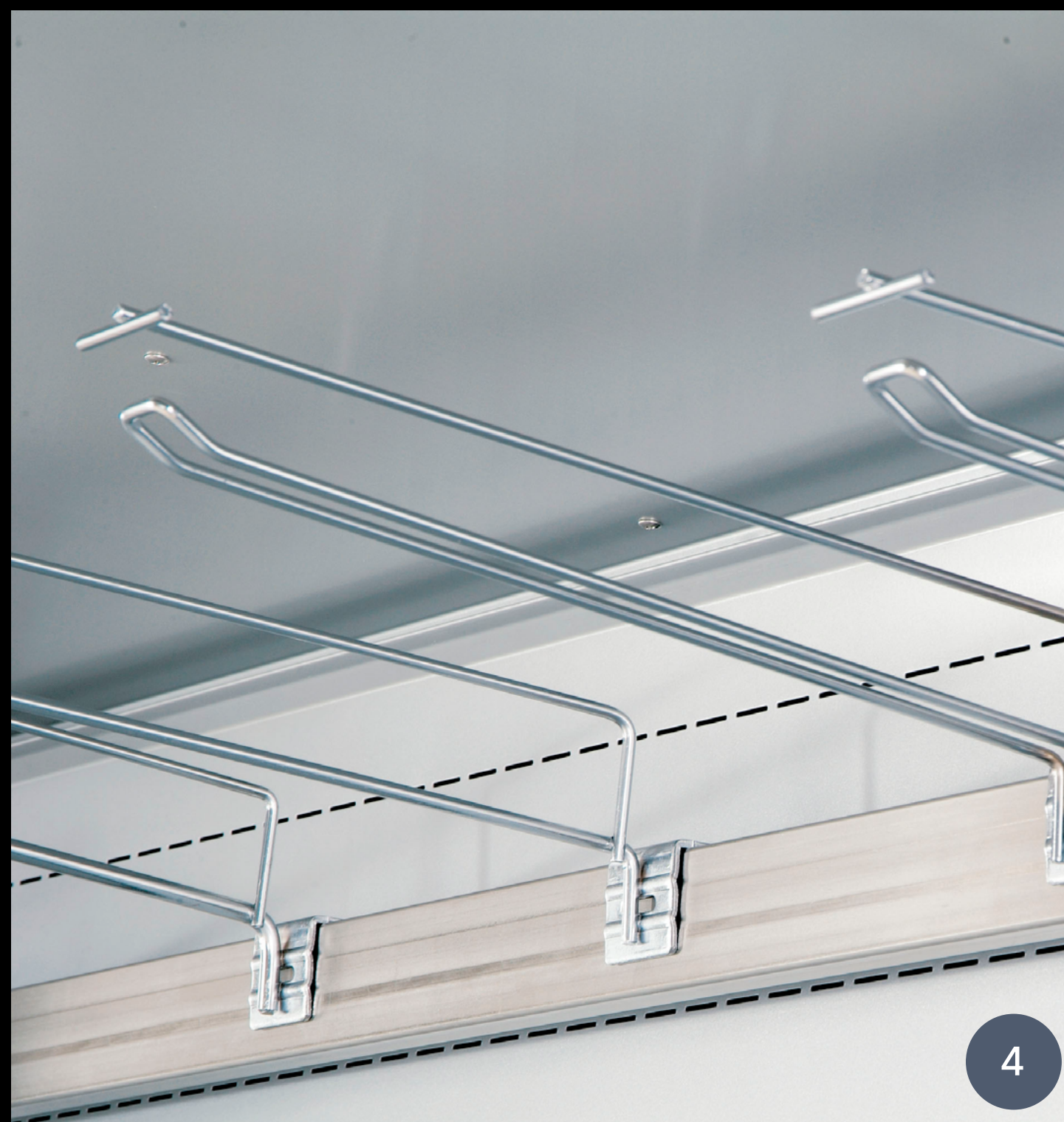
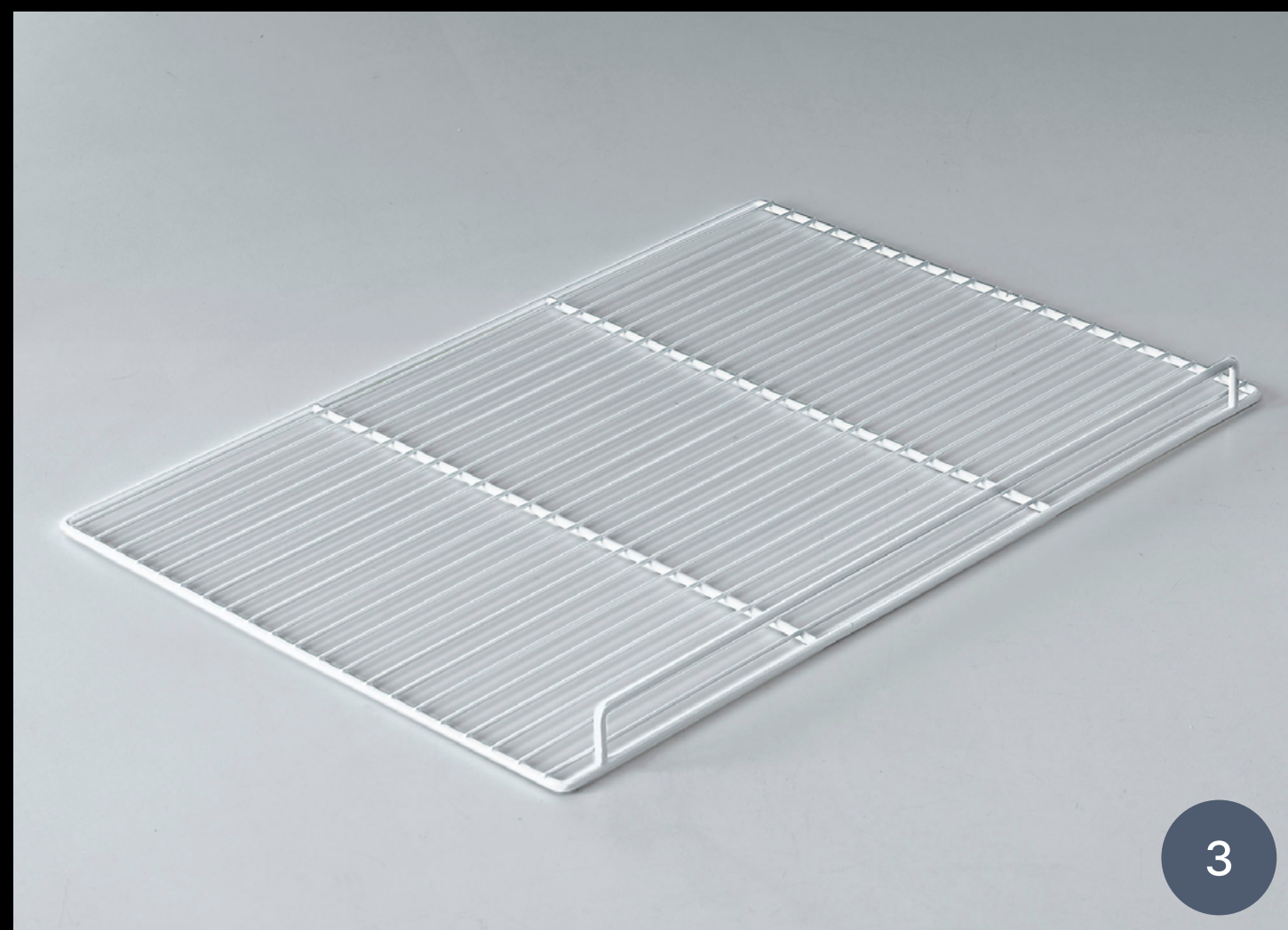
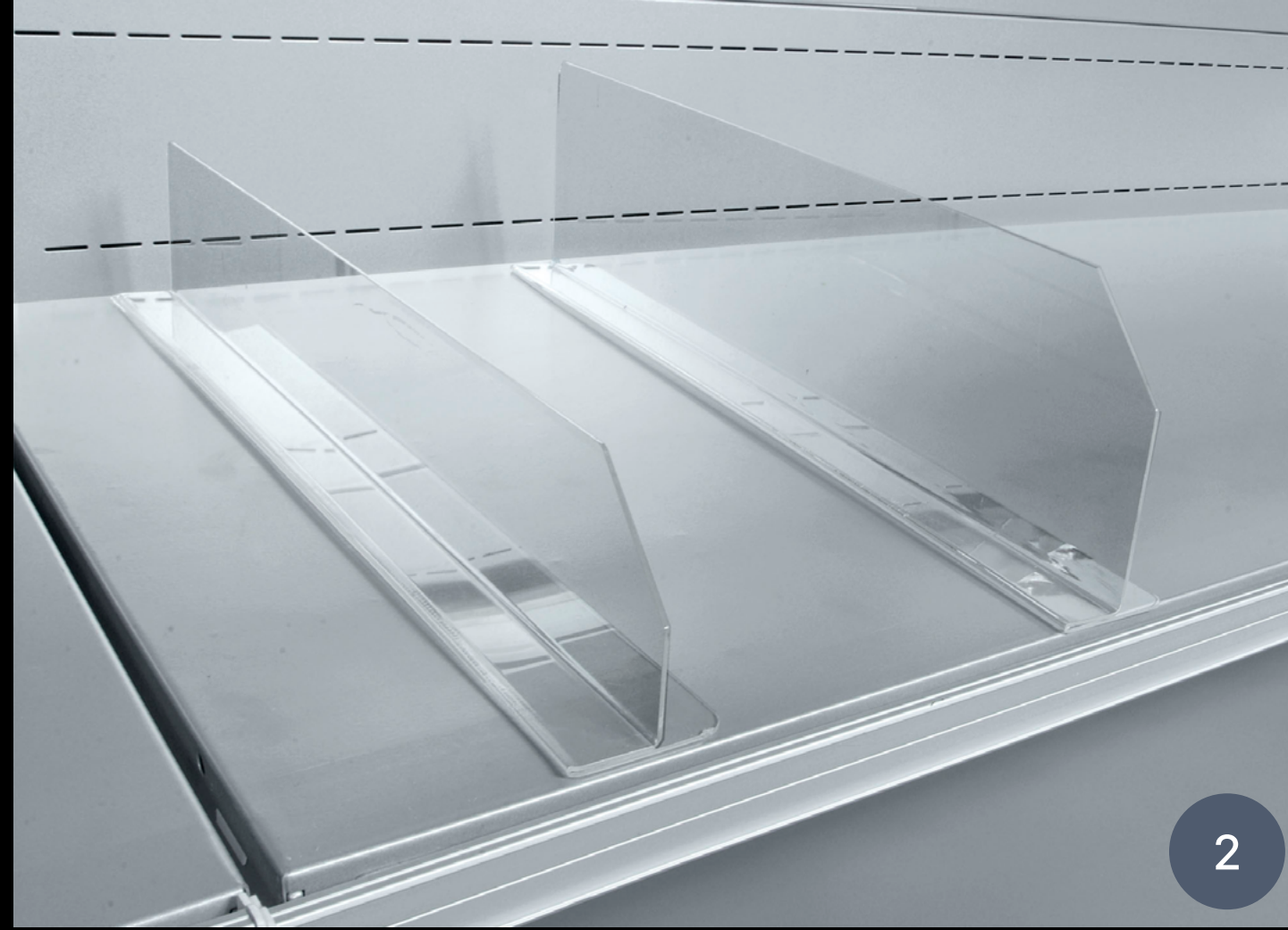
The optimised design of the refrigerated interior and an intelligent use of vertical space allow different product categories to be displayed at the same time, including cold cuts, cheese, fresh milk, fruit, vegetables, soft drinks and ready-to-eat meals, even for vegetarian and gluten-free diets.

# EASY INSTALLATION, EFFICIENT OPERATION.

**Lisbona 2** is the perfect choice for self-service sections in medium and large stores. These displays stand out for their high performance and beautifully simple installation and maintenance.

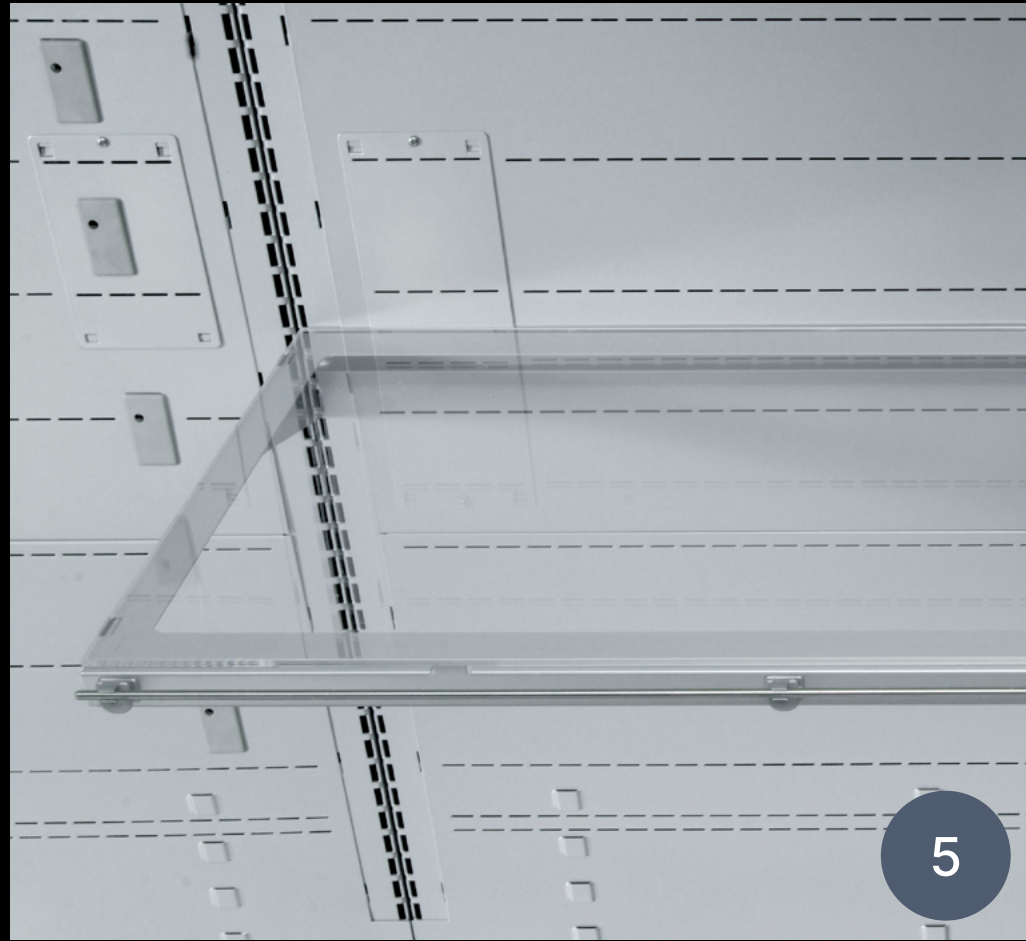
Thanks to Arneg research, operation is also faster and easier than ever, freeing up time and resources to grow your store.





# ACCESSORIES

- 1 - Wire deck and basin partitions
- 2 - Plexiglass deck and basin partitions
- 3 - Bottom grilles
- 4 - Wire hooks



5 - Clear shelf



6 - Wire shelf

7 - Wire fence

8 - Plexiglass fence







9



10



11

9 - Telescopic bottom grilles

10 - Powered night blind

11 - Mirror



12



13



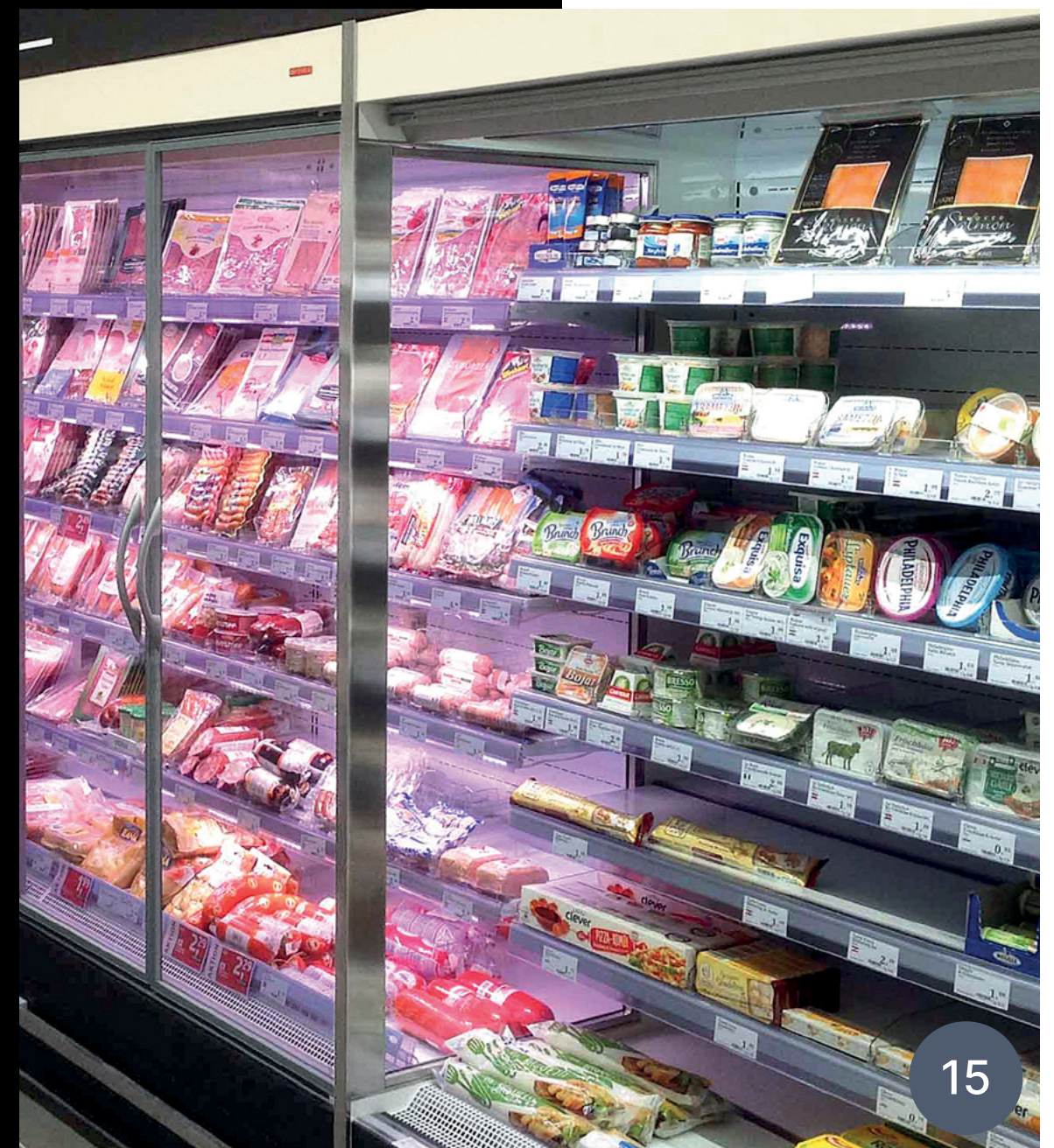
14

12 - 12 mm glass shelf

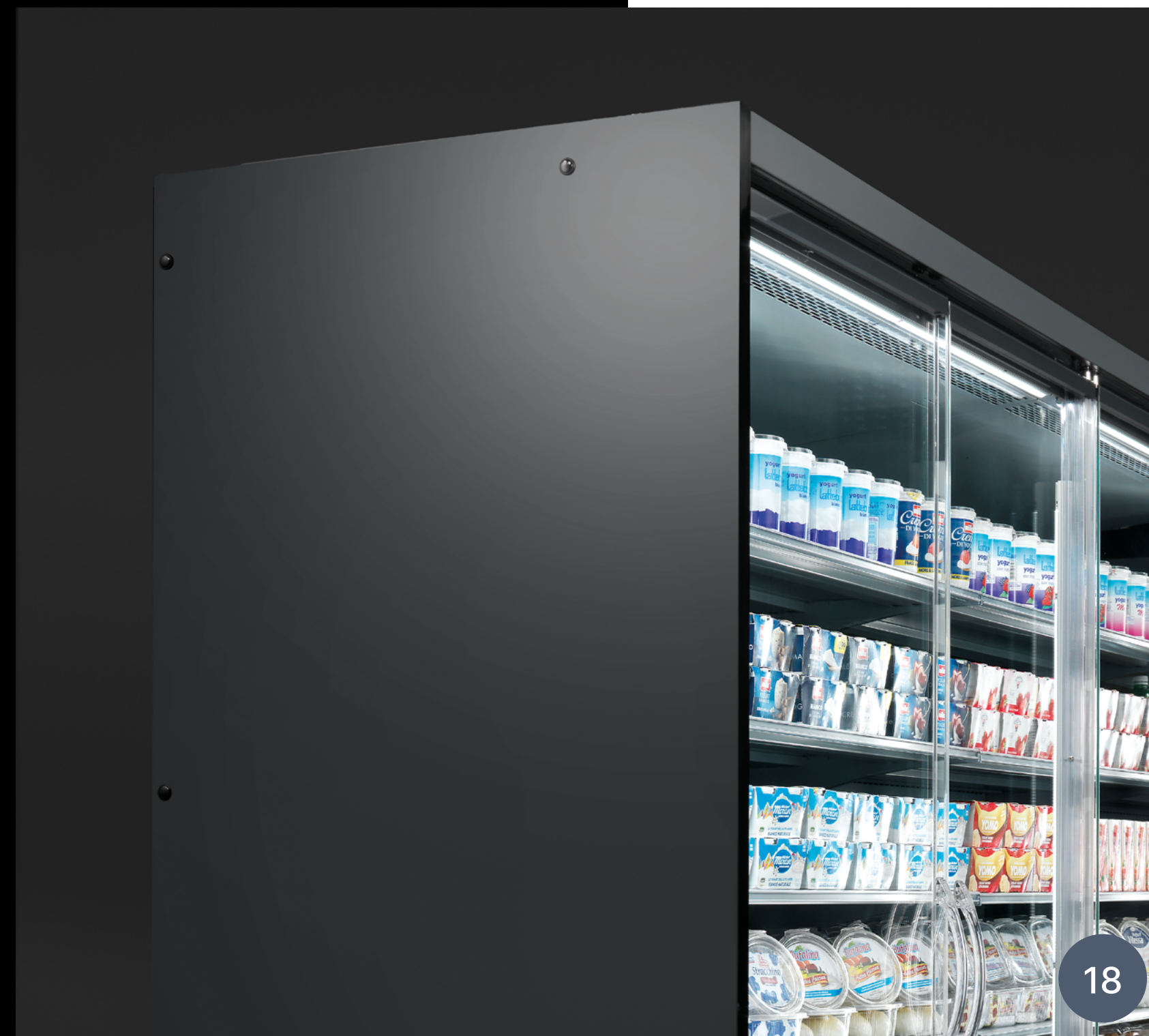
13 - Ultra-slim 15 mm shelf

14 - 17 mm shelf

15 - Intermediate side



15



16 - DRVC side

17 - Rectangular bumper

18 - DRCI side



19



20



21



22

19 - Bar price holder

20 - Clear price holder

21 - H32 price-holder

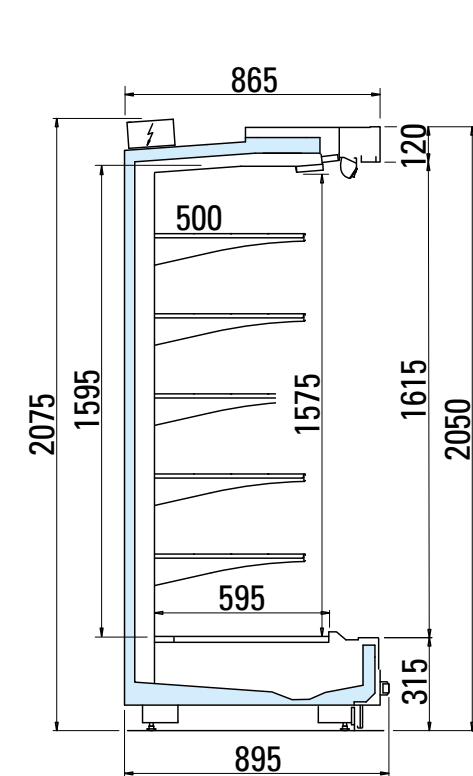
22 - H25 price-holder

LISBONA 2 VRT-A-1 TN V LINEARE R LF

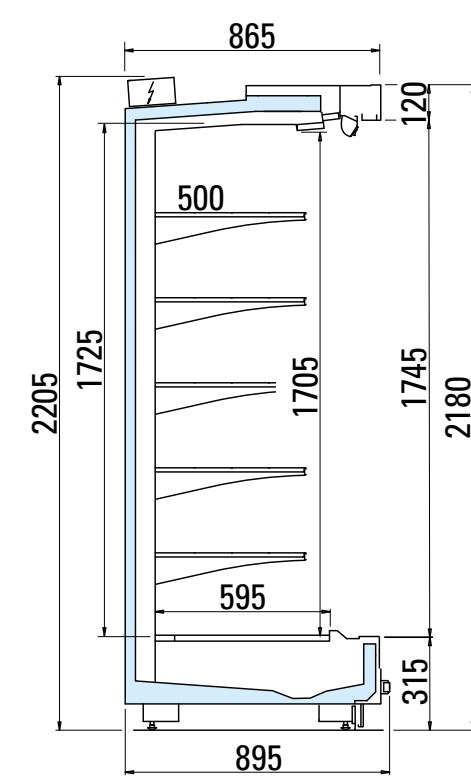
Length without side panels (mm)		1250		1875		2500		3750	
Height (cm)		205	218	205	218	205	218	205	218
Temperature class	3 M2	•	•	•	•	•	•	•	•
	3 H1	•	•	•	•	•	•	•	•
Preservation temperature (°C)	+2/+4	•	•	•	•	•	•	•	•
	+4/+6	•	•	•	•	•	•	•	•
Horizontal display area* (m²)	Depth	85	3,87	5,8	7,74	11,61			
		95	3,99	5,99	7,99	11,98			
		105	4,12	6,18	8,24	12,36			
Energy class**	Depth	85 - 95 - 105							

\*Value referred to illustrated configurations.

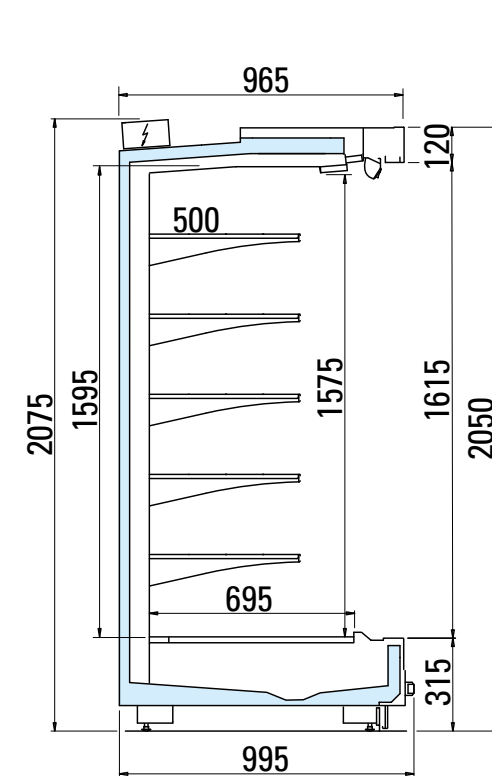
\*\*The energy class may vary depending on the product configuration.



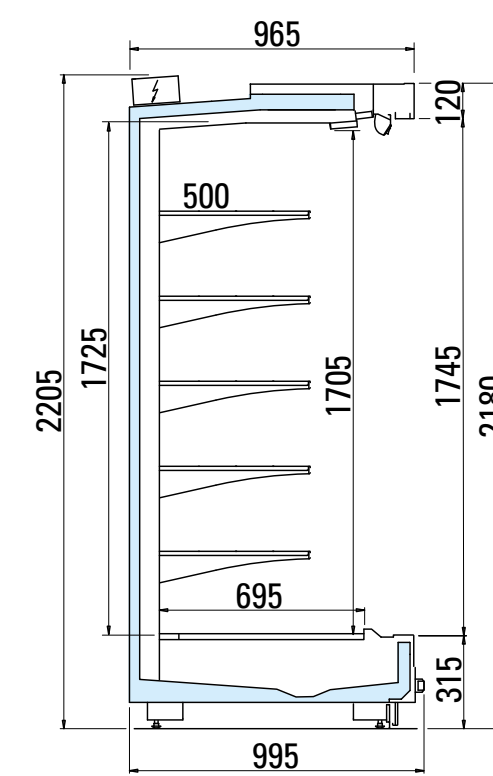
85 H205 LF



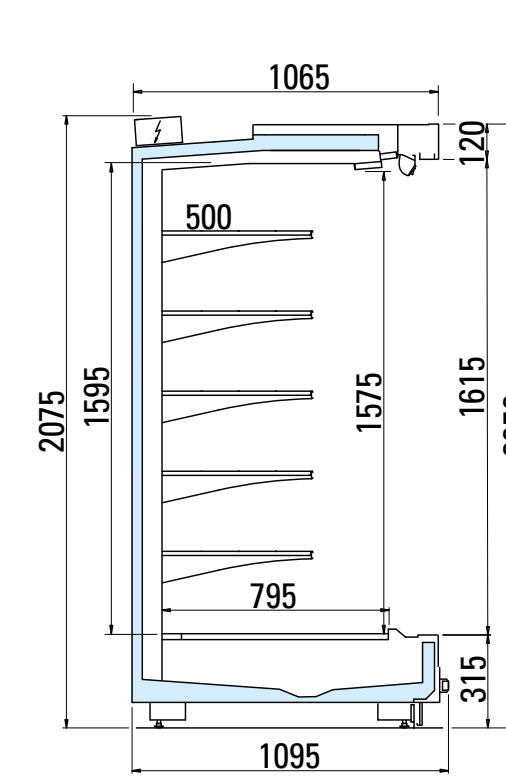
85 H218 LF



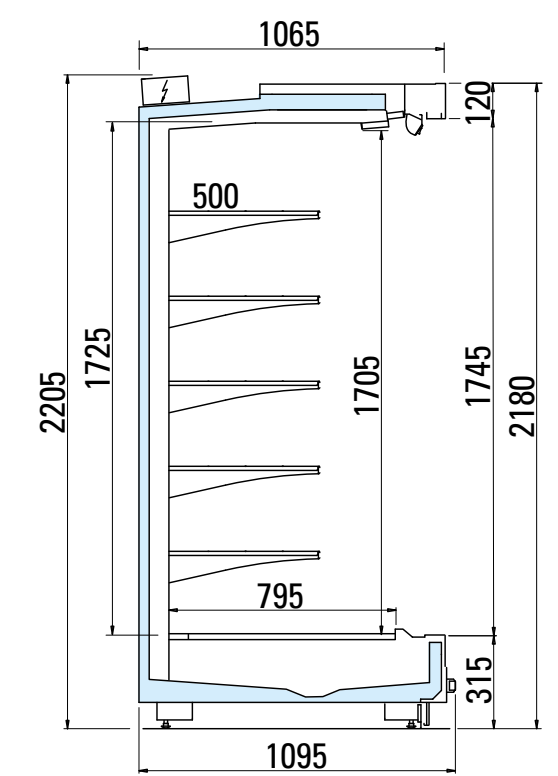
95 H205 LF



95 H218 LF



105 H205 LF



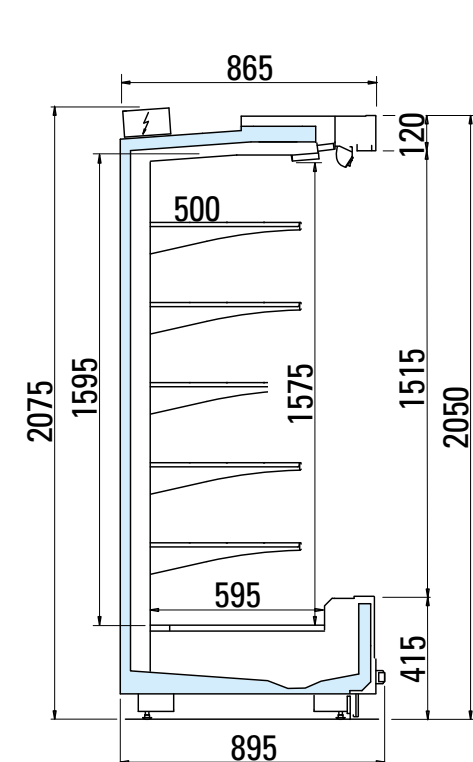
105 H218 LF

LISBONA 2 VRT-A-1 TN V LINEARE R MF

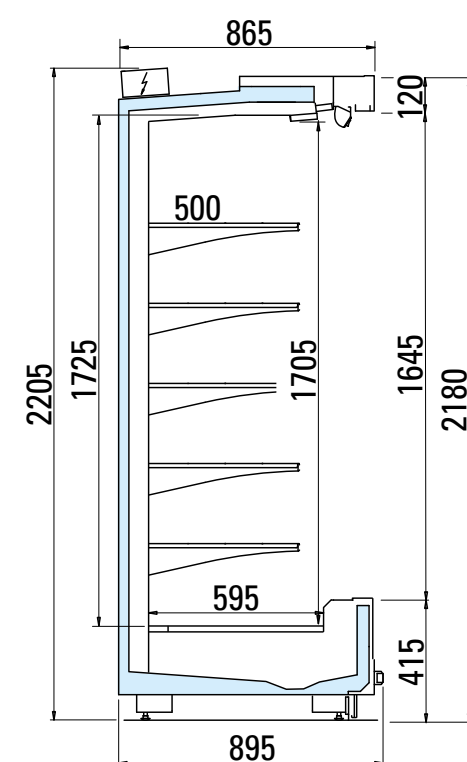
Length without side panels (mm)		1250		1875		2500		3750	
Height (cm)		205	218	205	218	205	218	205	218
Temperature class	3M1	•	•	•	•	•	•	•	•
	3M2	•	•	•	•	•	•	•	•
	3H1	•	•	•	•	•	•	•	•
Preservation temperature (°C)	0/+2	•	•	•	•	•	•	•	•
	+2/+4	•	•	•	•	•	•	•	•
	+4/+6	•	•	•	•	•	•	•	•
Horizontal display area* (m²)	Depth	85	3,87	5,8	7,74	11,61			
	95	3,99	5,99	7,99	11,98				
	105	4,12	6,18	8,24	12,36				
Energy class**	Depth	85 - 95							
	-105								

\*Value referred to illustrated configurations.

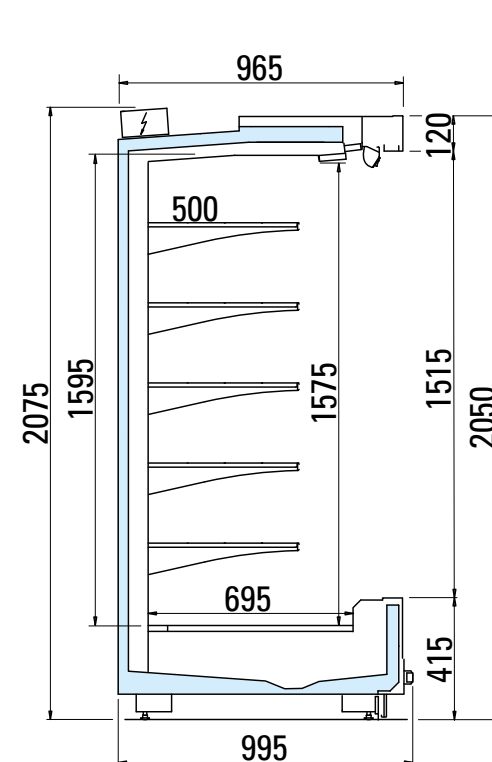
\*\*The energy class may vary depending on the product configuration.



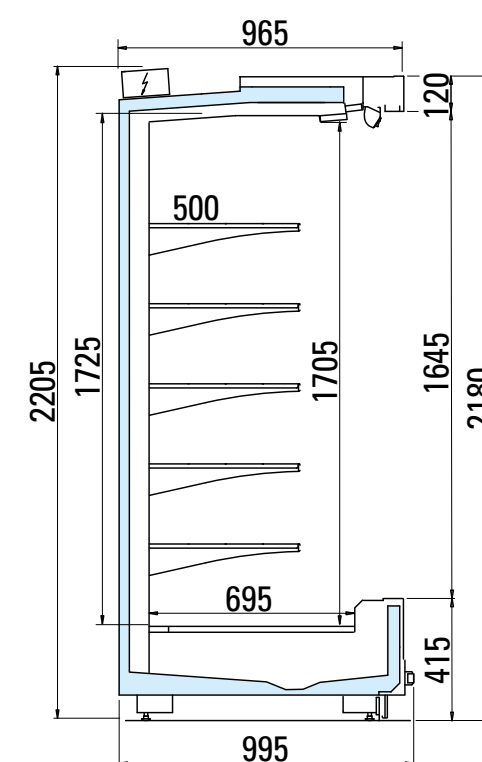
85 H205 MF



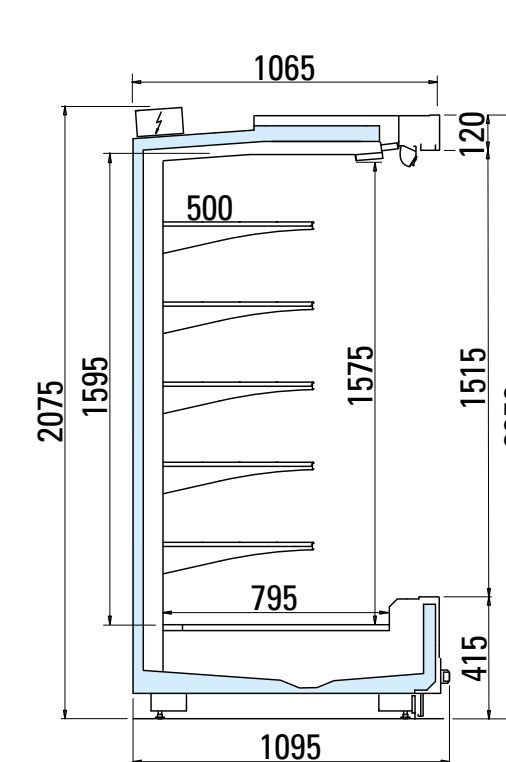
85 H218 MF



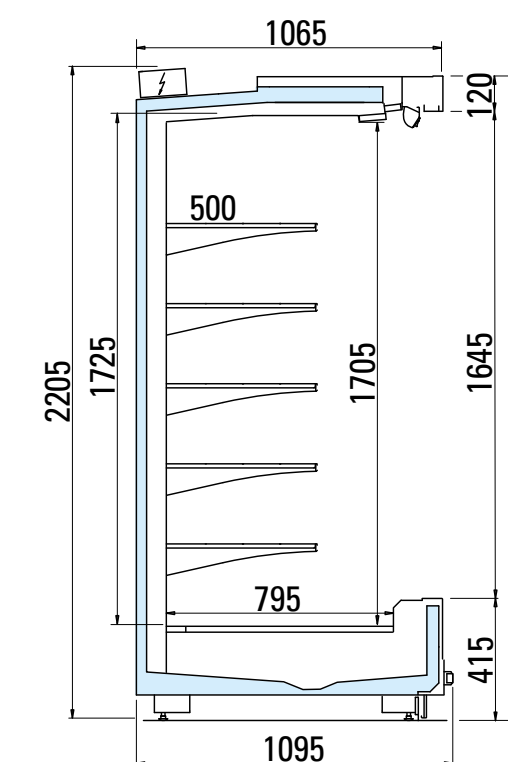
95 H205 MF



95 H218 MF



105 H205 MF



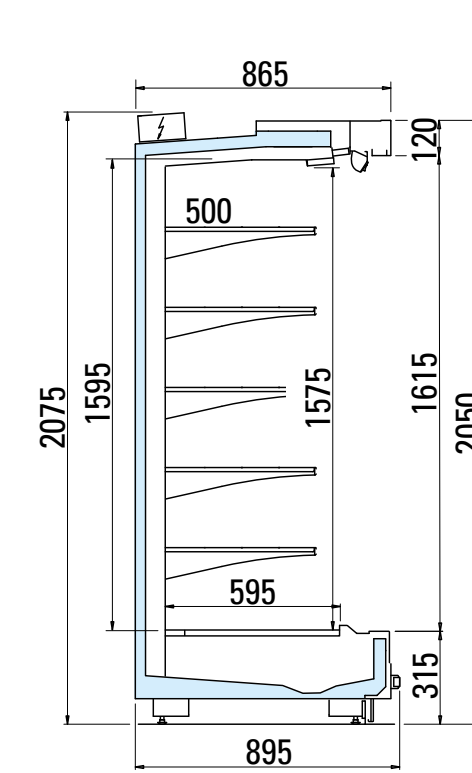
105 H218 MF

LISBONA 2 VRT-A-1 TN V TESTATA R LF

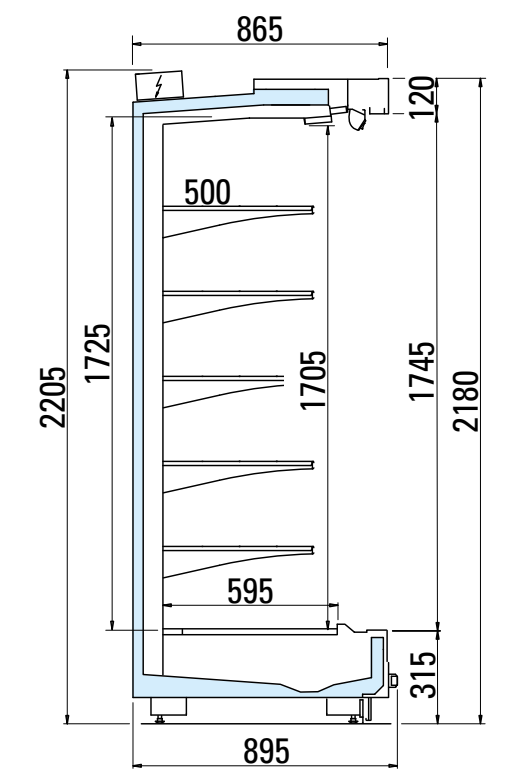
Overall length (mm)		<b>1774</b>	<b>1975</b>	<b>2183</b>
Height (cm)		<b>218</b>	<b>218</b>	<b>205</b>   <b>218</b>
Temperature class	<b>3M2</b>	•	•	•
	<b>3H1</b>	•	•	•
	<b>+2/ +4</b>	•	•	•
Preservation temperature (°C)	<b>+4/ +6</b>	•	•	•
Horizontal display area*(m <sup>2</sup> )		5,18	5,8	6,45
Energy class**		<b>E</b>	<b>E</b>	<b>E</b>

\*Value referred to illustrated configurations.

\*\*The energy class may vary depending on the product configuration.



**85 H205 LF**



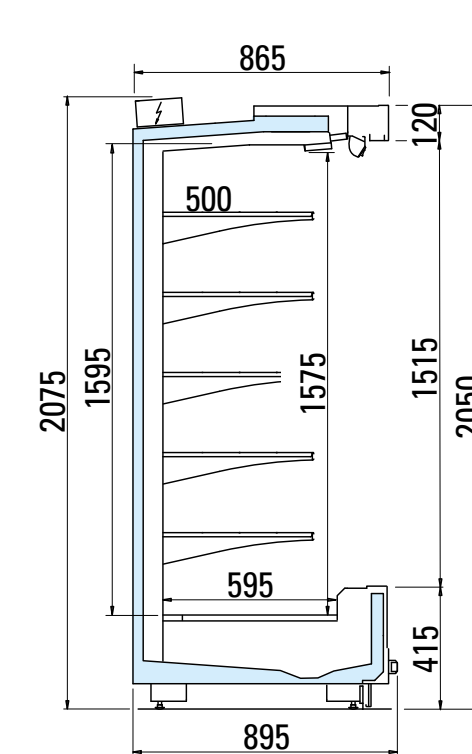
**85 H218 LF**

LISBONA 2 VRT-A-1 TN V TESTATA R MF

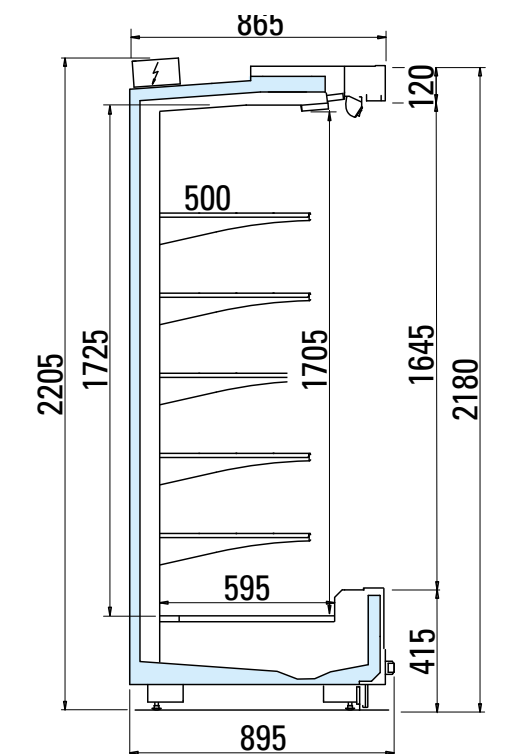
Overall length (mm)		<b>1774</b>	<b>2183</b>
Height (cm)		<b>205</b>	<b>218</b>   <b>205</b>   <b>218</b>
Temperature class	<b>3M1</b>	•	•
	<b>3M2</b>	•	•
	<b>3H1</b>	•	•
	<b>0/ +2</b>	•	•
Preservation temperature (°C)	<b>+2/ +4</b>	•	•
	<b>+4/ +6</b>	•	•
Horizontal display area*(m <sup>2</sup> )		5,18	6,45
Energy class**		<b>F</b>	<b>F</b>   <b>F</b>   <b>F</b>

\*Value referred to illustrated configurations.

\*\*The energy class may vary depending on the product configuration.



**85 H205 MF**



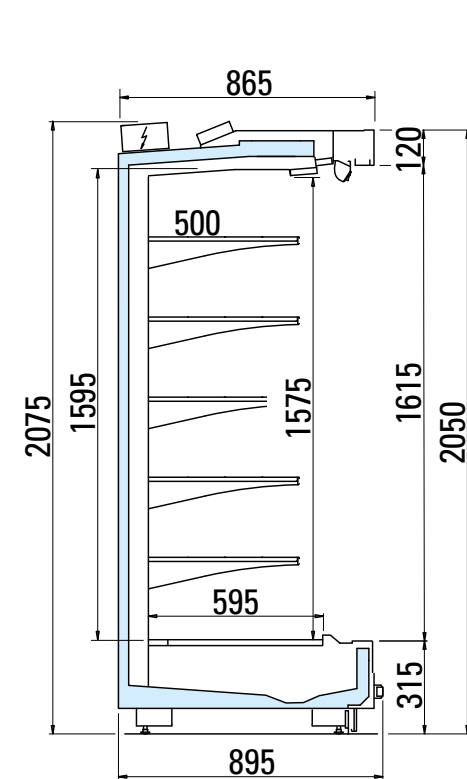
**85 H218 MF**

LISBONA 2 VRT-A-1 TN V2C LINEARE R LF

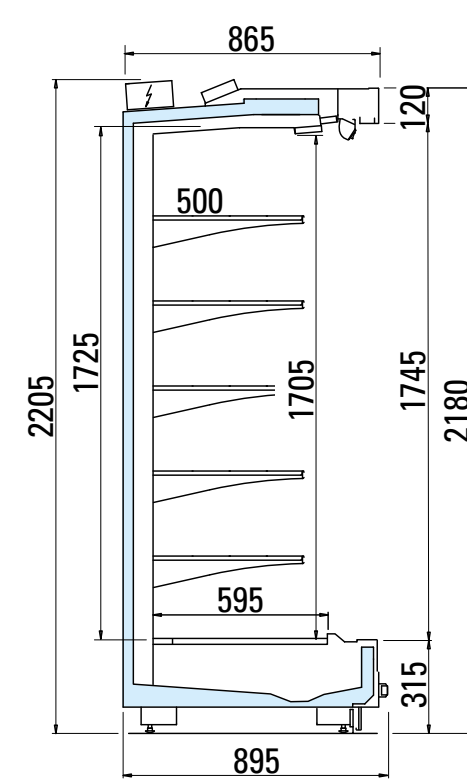
Length without side panels (mm)		1250		1875		2500		3750	
Height (cm)		205	218	205	218	205	218	205	218
Temperature class	3M1	•	•	•	•	•	•	•	•
	3M2	•	•	•	•	•	•	•	•
	3H1	•	•	•	•	•	•	•	•
Preservation temperature (°C)	0/+2	•	•	•	•	•	•	•	•
	+2/+4	•	•	•	•	•	•	•	•
	+4/+6	•	•	•	•	•	•	•	•
Horizontal display area* (m <sup>2</sup> )	Depth 85	3,87		5,8		7,74		11,61	
	95	3,99		5,99		7,99		11,98	
	105	4,12		6,18		8,24		12,36	
Energy class**	Depth 85-95 -105	A+G E		A+G E		A+G E		A+G E	

\*Value referred to illustrated configurations.

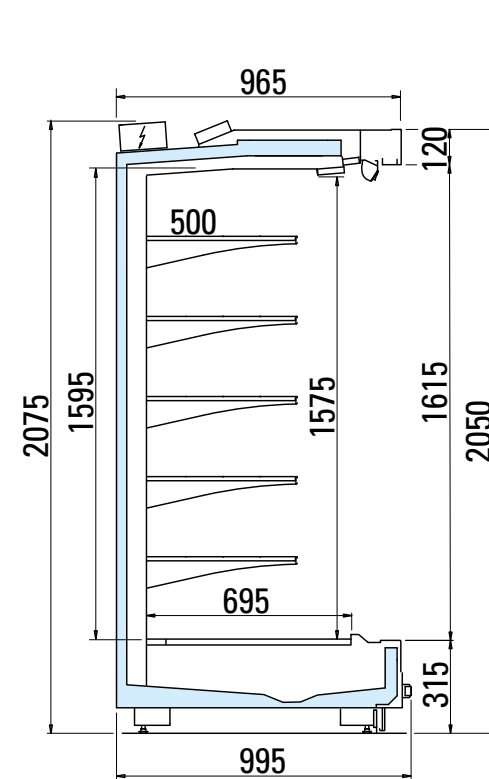
\*\*The energy class may vary depending on the product configuration.



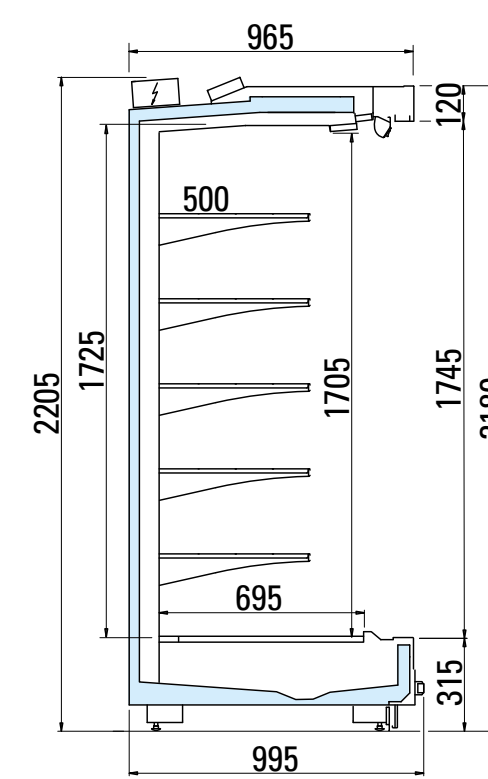
85 H205 LF



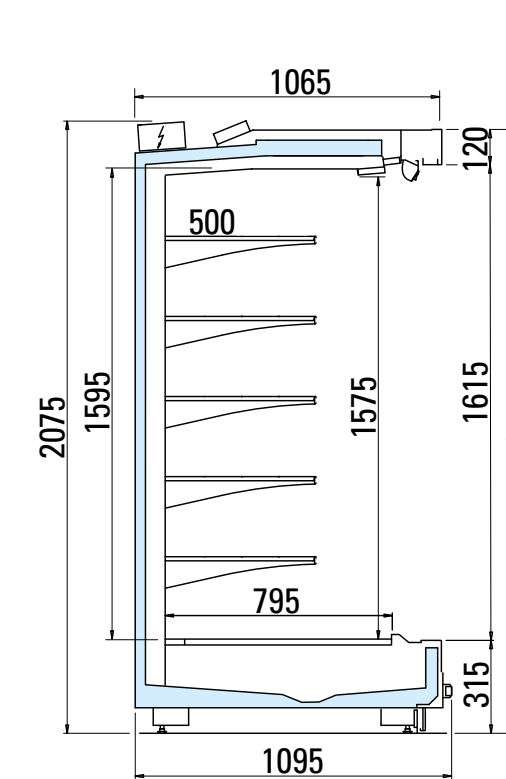
85 H218 LF



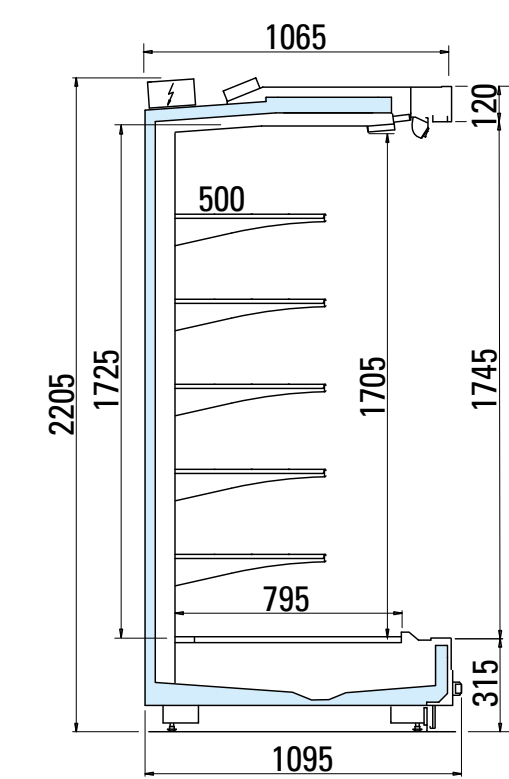
95 H205 LF



95 H218 LF







105 H205 LF



105 H218 LF

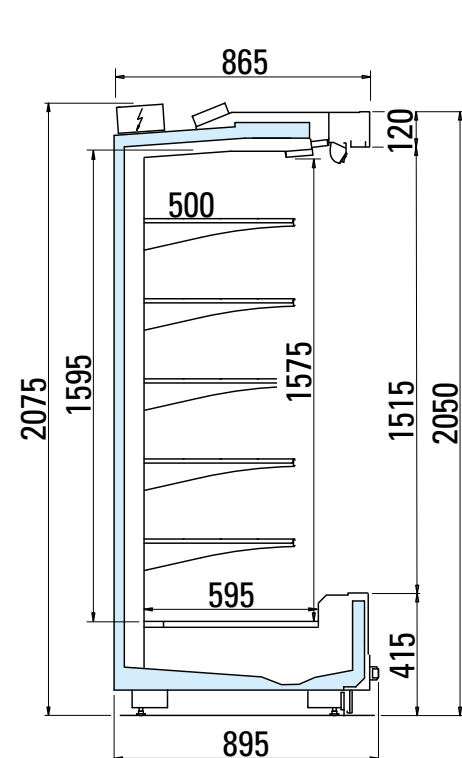


LISBONA 2 VRT-A-1 TN V2C LINEARE R MF

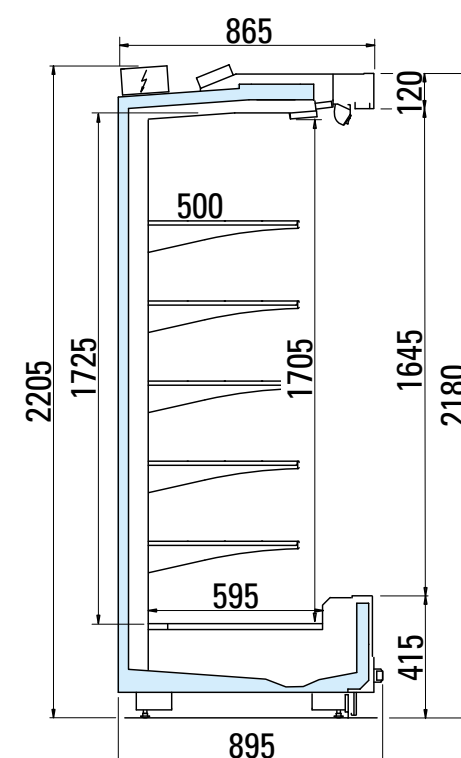
Length without side panels (mm)		1250		1875		2500		3750	
Height (cm)		205	218	205	218	205	218	205	218
Temperature class	3M1	•	•	•	•	•	•	•	•
	3M2	•	•	•	•	•	•	•	•
	3H1	•	•	•	•	•	•	•	•
Preservation temperature (°C)	0/+2	•	•	•	•	•	•	•	•
	+2/+4	•	•	•	•	•	•	•	•
	+4/+6	•	•	•	•	•	•	•	•
Horizontal display area* (m <sup>2</sup> )	Depth	85	3,87	5,8	7,74	11,61			
	95	3,99	5,99	7,99	11,98				
	105	4,12	6,18	8,24	12,36				
Energy class**	Depth	85-95 -105							

\*Value referred to illustrated configurations.

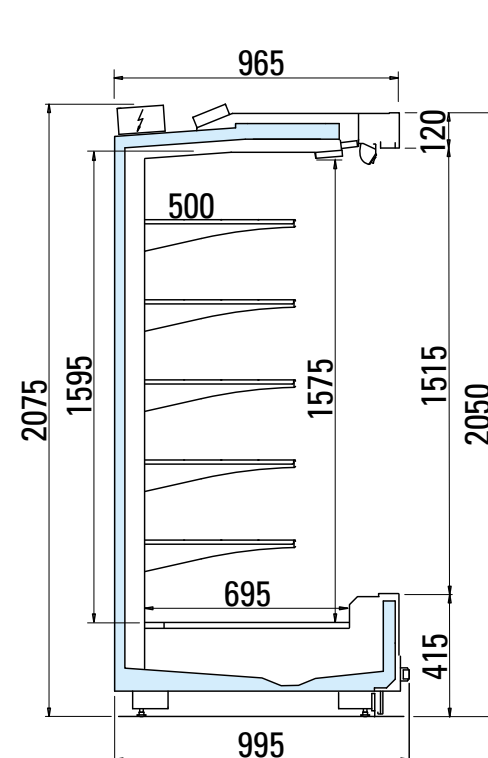
\*\*The energy class may vary depending on the product configuration.



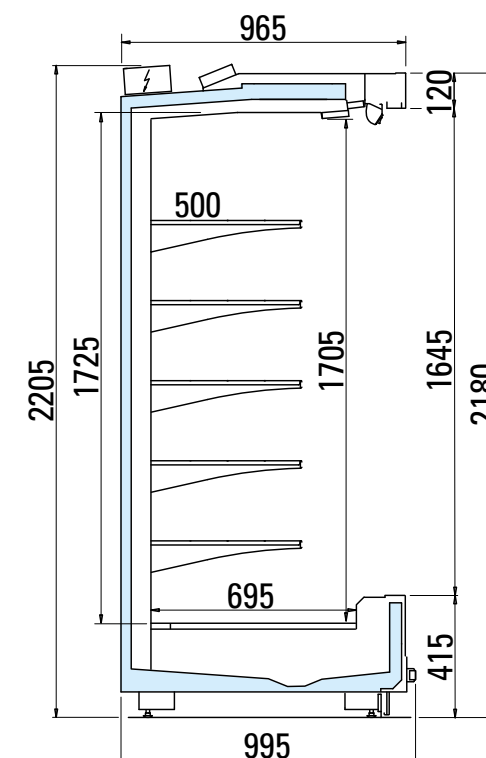
85 H205 MF



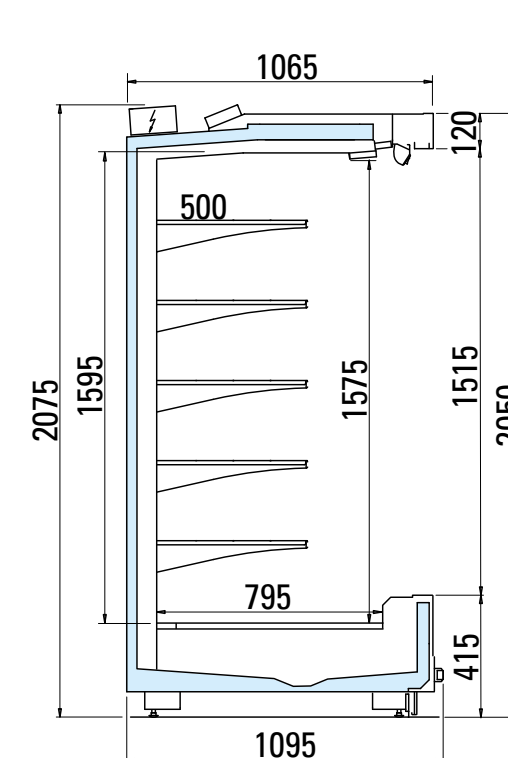
85 H218 MF



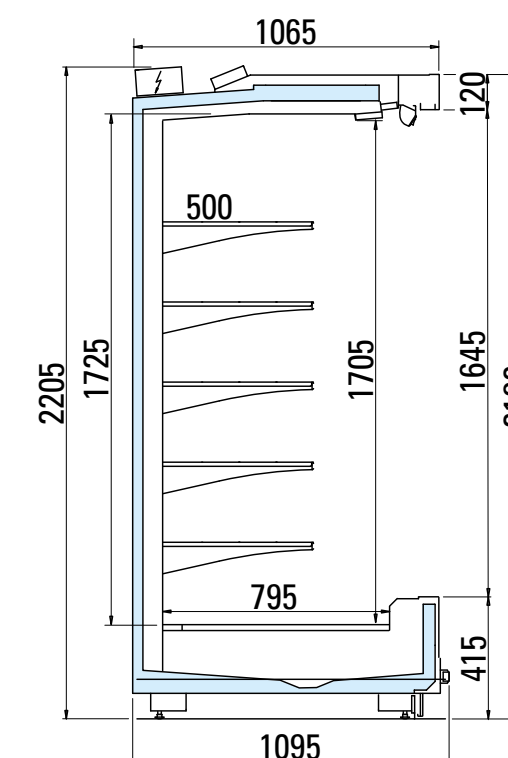
95 H205 MF



95 H218 MF



105 H205 MF



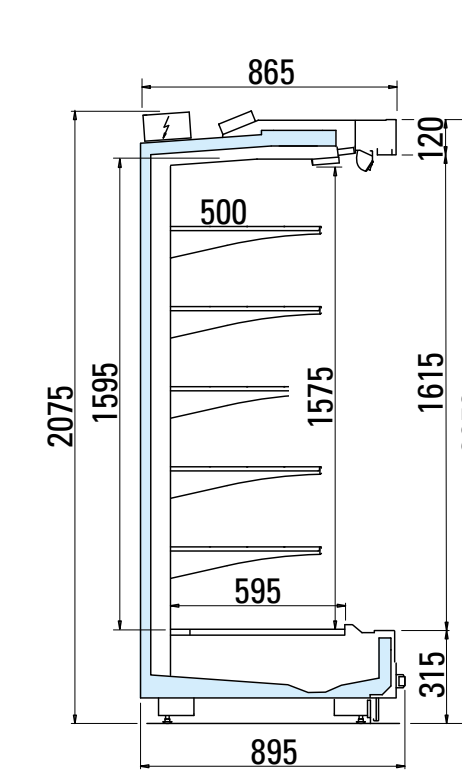
105 H218 MF

LISBONA 2 VRT-A-1 TN V2C TESTATA R LF

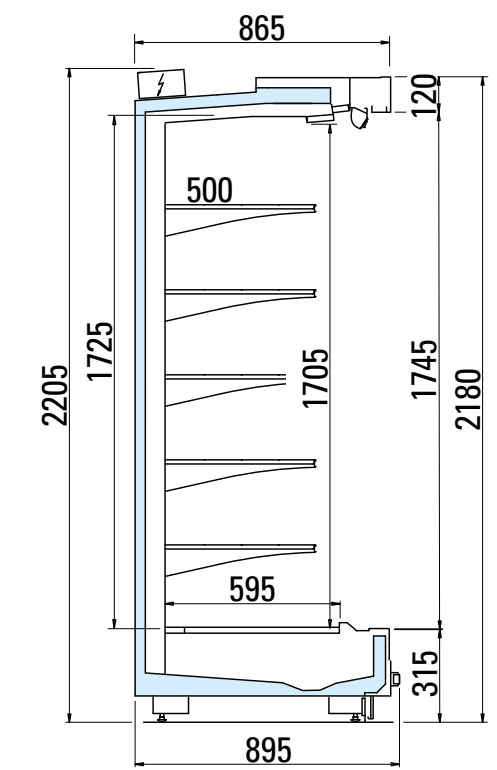
Overall length (mm)		<b>1774</b>		<b>1875</b>		<b>2183</b>	
Height (cm)		<b>205</b>	<b>218</b>	<b>205</b>	<b>218</b>	<b>205</b>	<b>218</b>
Temperature class	<b>3M1</b>	•		•		•	
	<b>3M2</b>	•		•		•	
	<b>3H1</b>	•		•		•	
Preservation temperature (°C)	<b>0/+2</b>	•		•		•	
	<b>+2/+4</b>	•		•		•	
	<b>+4/+6</b>	•		•		•	
Horizontal display area*(m <sup>2</sup> )		5,18		5,8		6,45	
Energy class**		A G <b>E</b>		A G <b>E</b>		A G <b>E</b>	

\*Value referred to illustrated configurations.

\*\*The energy class may vary depending on the product configuration.



**85 H205 LF**



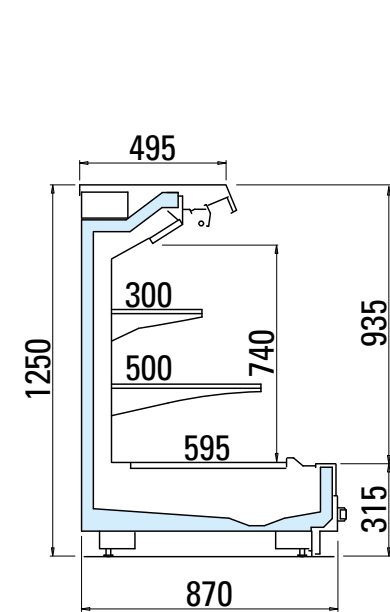
**85 H218 LF**

LISBONA 2 SVT-A-1 TN V LINEARE R LF

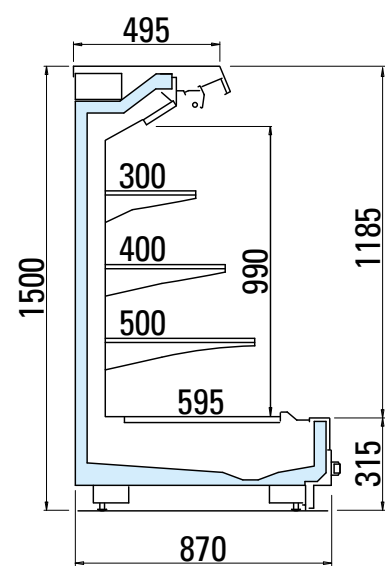
Length without side panels (mm)	1250			1875			2500			3750				
Height (cm)	125	150	165	125	150	165	125	150	165	125	150	165		
Temperature class	3M1	•	•	•	•	•	•	•	•	•	•	•		
	3M2	•	•	•	•	•	•	•	•	•	•	•		
Preservation temperature (°C)	0/+2	•	•	•	•	•	•	•	•	•	•	•		
	+2/+4	•	•	•	•	•	•	•	•	•	•	•		
Horizontal display area* (m²)	Depth	85	1,74	2,24	2,61	3,36	3,49	4,49	5,23	6,73				
		95	1,87	2,37	2,8	3,55	3,74	4,74	5,6	7,1				
		105	1,99	2,49	2,99	3,74	3,99	4,99	5,98	7,48				
Energy class**	Depth	85 - 95	A G F			A G F			A G F			A G F		
		-105	A G F			A G F			A G F			A G F		

\*Value referred to illustrated configurations.

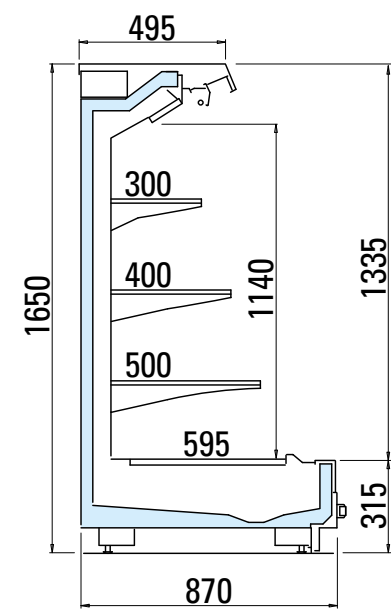
\*\*The energy class may vary depending on the product configuration.



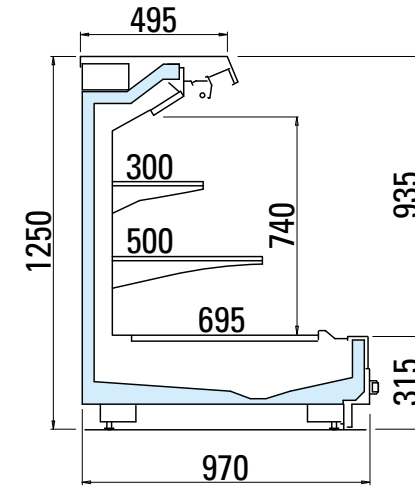
85 H125 LF



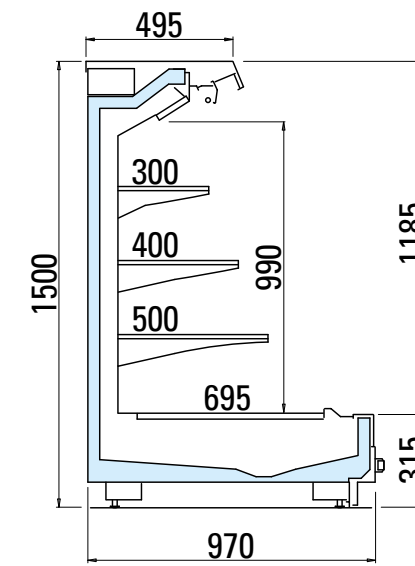
85 H150 LF



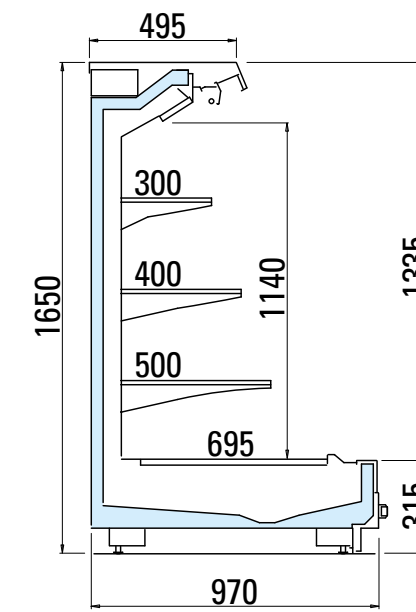
85 H165 LF



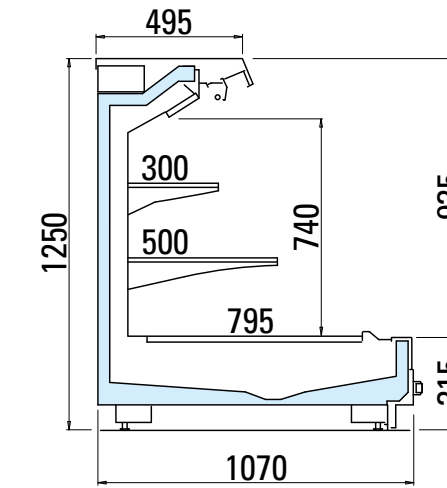
95 H125 LF



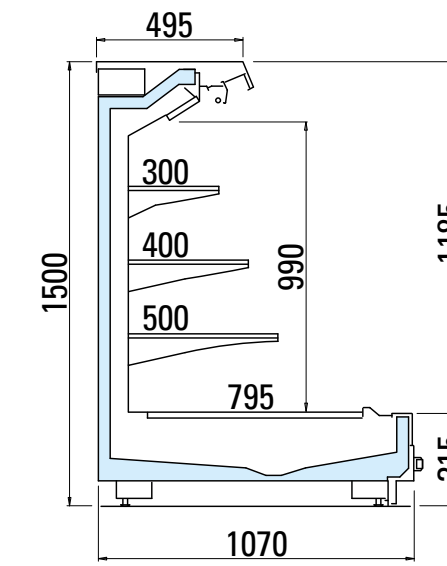
95 H150 LF



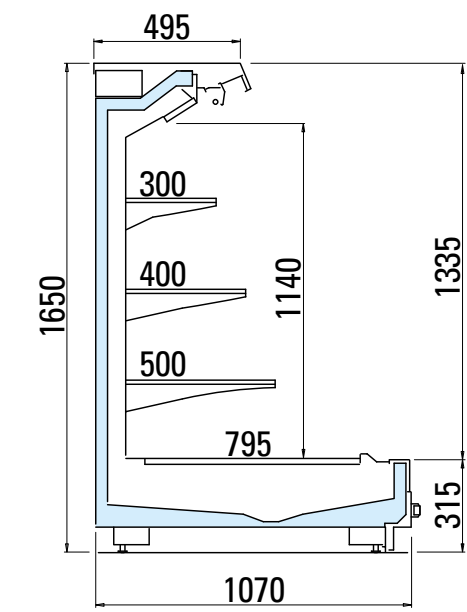
95 H165 LF



105 H125 LF



105 H150 LF



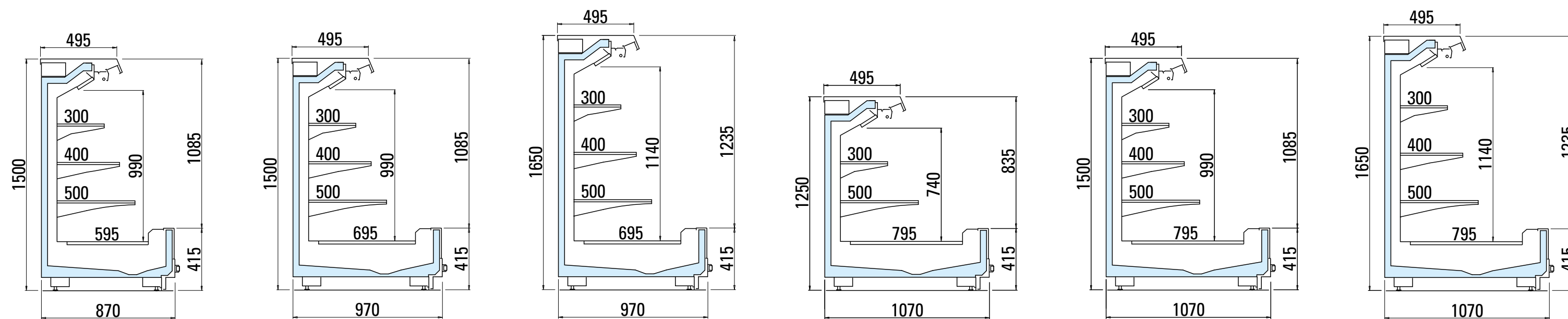
105 H165 LF

LISBONA 2 SVT-A-1 TN V LINEARE R MF

Length without side panels (mm)	1250			1875			2500			3750				
Height (cm)	125	150	165	125	150	165	125	150	165	125	150	165		
Temperature class	3M1	•	•	•	•	•	•	•	•	•	•	•		
	3M2	•	•	•	•	•	•	•	•	•	•	•		
Preservation temperature (°C)	0/+2	•	•	•	•	•	•	•	•	•	•	•		
	+2/+4	•	•	•	•	•	•	•	•	•	•	•		
Horizontal display area* (m <sup>2</sup> )	Profondità	85	-	2,24	-	-	3,36	-	-	4,49	-	-	6,73	-
		95	-	2,37	-	-	3,55	-	-	4,74	-	-	7,1	-
		105	1,99	2,49	2,99	3,74	3,99	4,99	5,98	7,48	-	-	-	-
Energy class**	Profondità	85	-	A G F	-	-	A G F	-	-	A G F	-	-	A G F	-
		95	-	A G F	-	-	A G F	-	-	A G F	-	-	A G F	-
		105	-	A G F	-	-	A G F	-	-	A G F	-	-	A G F	-

\*Value referred to illustrated configurations.

\*\*The energy class may vary depending on the product configuration.



85 H150 MF

95 H150 MF

95 H165 MF

105 H125 MF

105 H150 MF

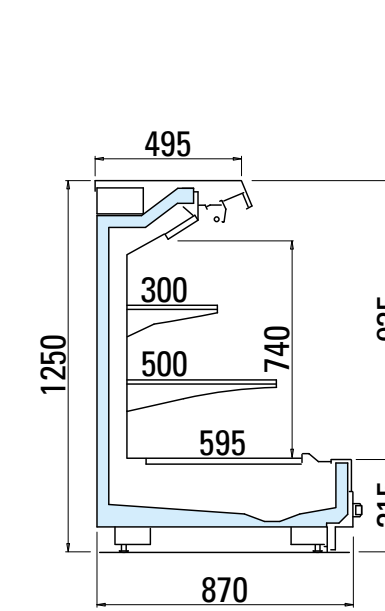
105 H165 MF

LISBONA 2 SVT-A-1 TN V TESTATA R LF

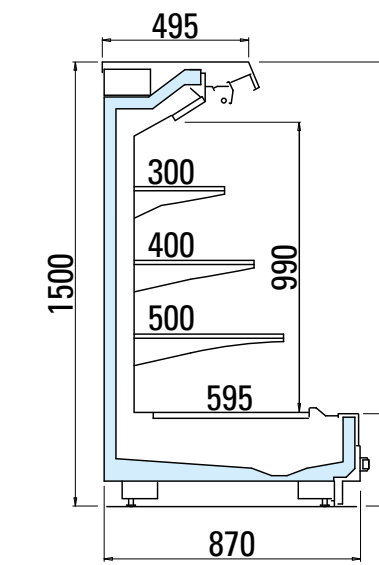
Overall length (mm)	<b>1774</b>			<b>1975</b>			<b>2183</b>		
Height (cm)	<b>125</b>	<b>150</b>	<b>125</b>	<b>150</b>	<b>165</b>	<b>125</b>	<b>150</b>	<b>165</b>	
Temperature class	<b>3 M1</b>	•		•			•		
	<b>3 M2</b>	•		•			•		
Preservation temperature (°C)	<b>0/+2</b>	•		•			•		
	<b>+2/+4</b>	•		•			•		
Horizontal display area* (m <sup>2</sup> )	2,33	3	2,61	3,36		2,9	3,74		
Energy class**	A G <b>F</b>			A G <b>F</b>			A G <b>F</b>		

\*Value referred to illustrated configurations.

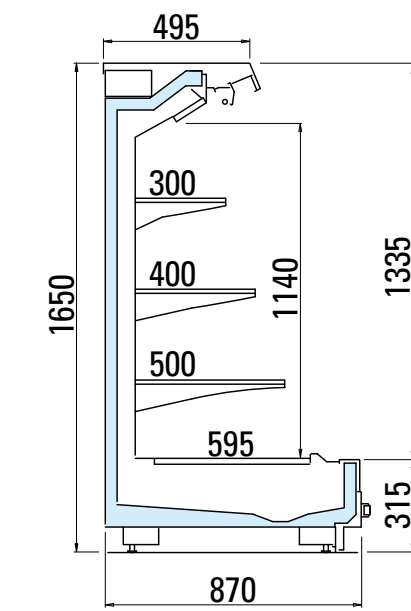
\*\*The energy class may vary depending on the product configuration.



**85 H125 LF**



**85 H150 LF**



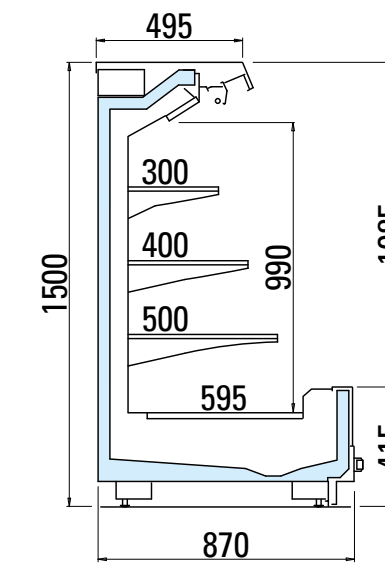
**85 H165 LF**

LISBONA 2 SVT-A-1 TN V TESTATA R MF

Overall length (mm)	<b>1774</b>
Height (cm)	<b>150</b>
Temperature class	<b>3 M1</b>
	<b>3 M2</b>
Preservation temperature (°C)	<b>0/+2</b>
	<b>+2/+4</b>
Horizontal display area* (m <sup>2</sup> )	3
Energy class**	A G <b>F</b>

\*Value referred to illustrated configurations.

\*\*The energy class may vary depending on the product configuration.



**85 H150 MF**

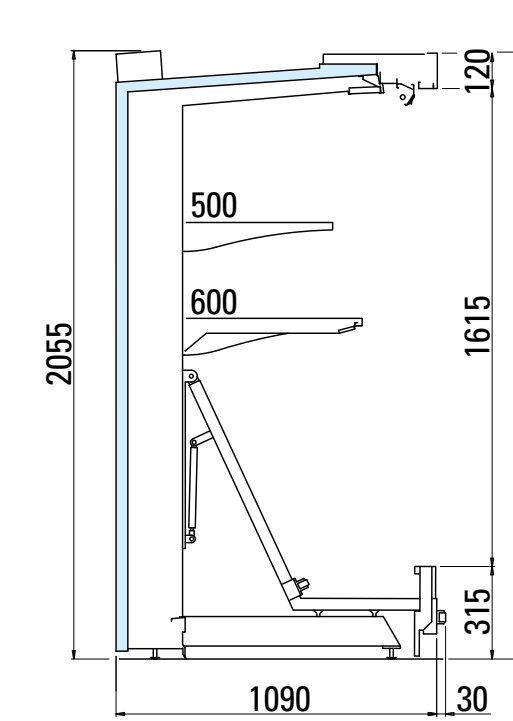
LISBONA 2 VRT-A-FC TN V LINEARE R

Length without side panels (mm)		1250		1370		1875		2500		3750	
Height (cm)		205	218	218	205	218	205	218	205	218	
Temperature class	3M2	•		•		•		•		•	
	3H1	•		•		•		•		•	
Preservation temperature (°C)	+2 / +4	•		•		•		•		•	
	+4 / +6	•		•		•		•		•	
Horizontal display area* (m <sup>2</sup> )		2,25	2,47	3,38	4,5	6,75					
Energy class**		A+ G		A+ G		A+ G		A+ G		A+ G	

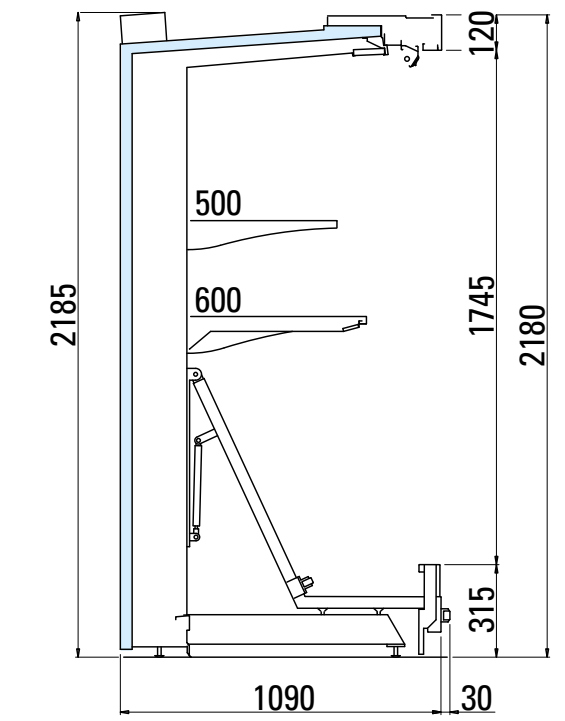
\*Value referred to illustrated configurations.

\*\*The energy class may vary depending on the product configuration.

Model intended for extra-EU markets only.



110 H205



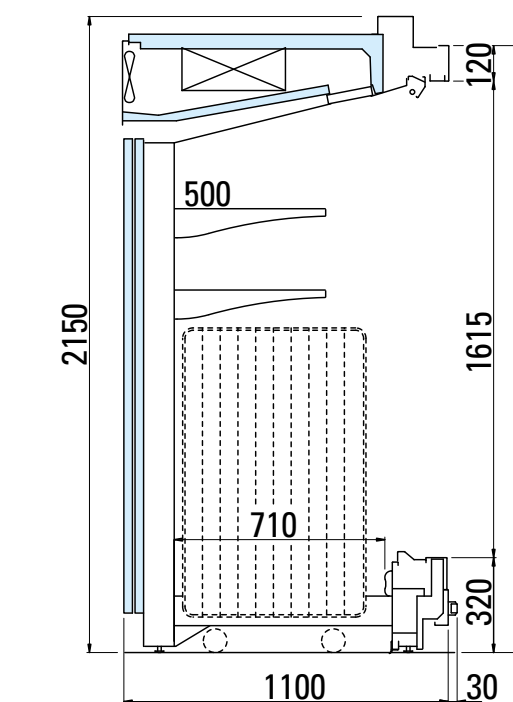
110 H218

LISBONA 2 VRT-A-PC TN V LINEARE R

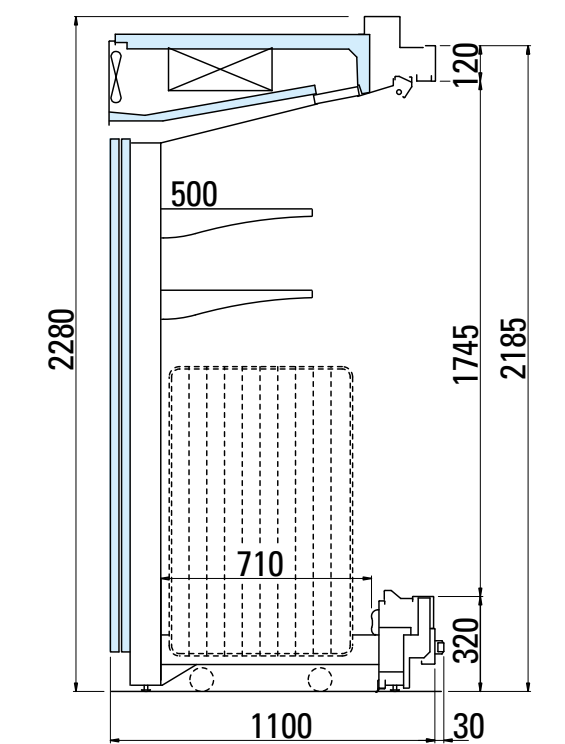
Length without side panels (mm)		2500		3750	
Height (cm)		205	218	205	218
Temperature class	3M2	•		•	
	3H1	•		•	
Preservation temperature (°C)	+2 / +4	•		•	
	+4 / +6	•		•	
Horizontal display area* (m <sup>2</sup> )		4,25	6,38		

\*Value referred to illustrated configurations.

Model not subject to energy labelling.



110 H205



110 H218

ED. 02 - 09/05/2024



[WWW.ARNEG.COM](http://WWW.ARNEG.COM)



Arneg follows a policy of continuous improvement and reserves the right to update this document at any time without prior notice.