

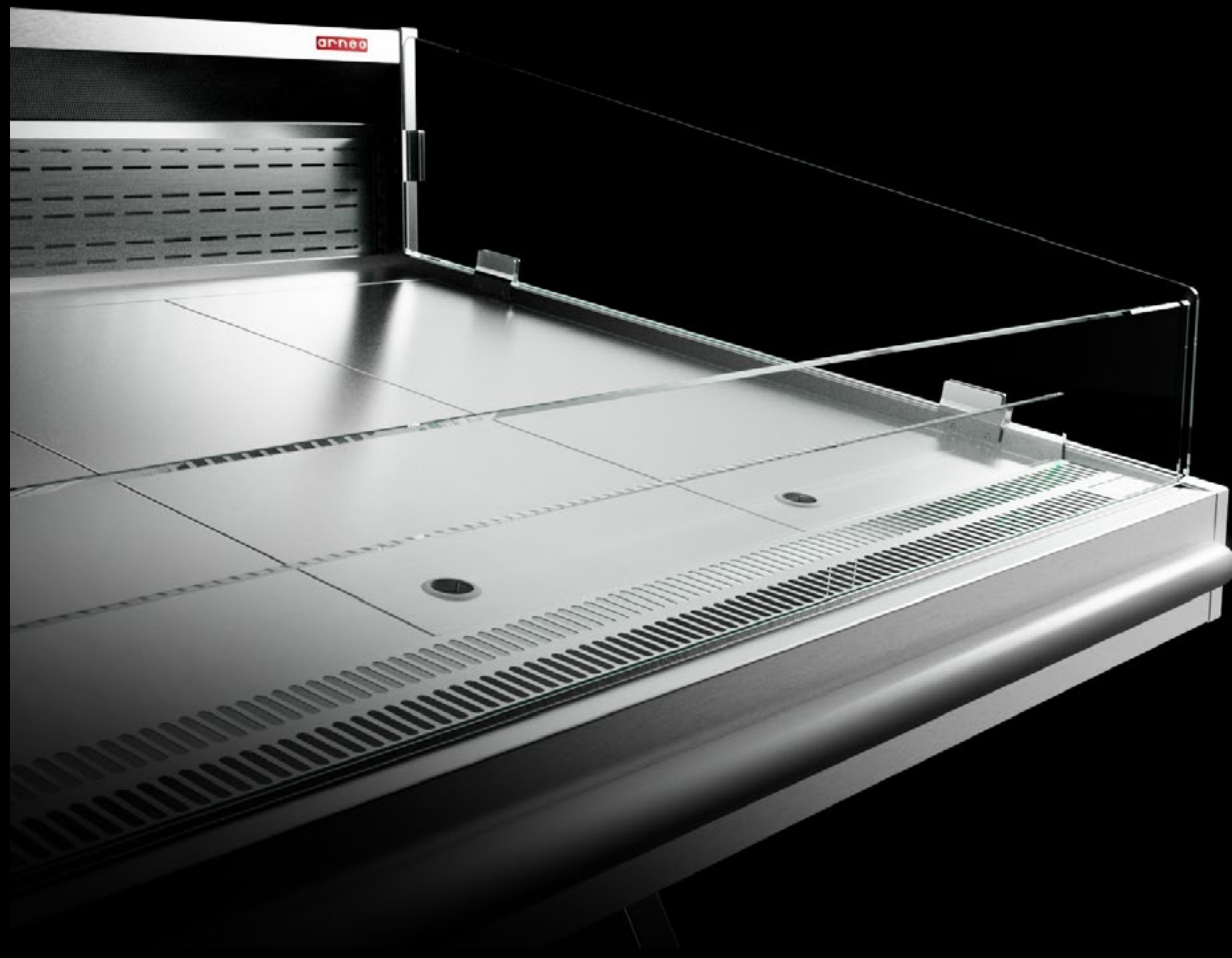
SERVE-OVER COUNTER AND SEMI-VERTICAL

□□□

LEIDEN



A
R
N
E
G



MAXIMUM VERSATILITY AND ESSENTIAL DESIGN.

Designed to respond to the multiple needs of modern stores, **Leiden** counters come in horizontal and semi-vertical versions that combine maximum functionality with an excellent view over the products on display. Thanks to its great versatility, the Leiden range is ideal for preserving a wide range of foods.

THE SHAPE OF VISIBILITY.

A stainless-steel structure ensures robustness, food safety and reliability while essential design optimises presentation quality. A sloping basin makes access to products easier and more instinctive while also improving visibility.



UNRIVALLED FLEXIBILITY IN USE.

Leiden counters are ideal as patisserie displays and equally suited to the presentation and sale of fresh foods like meat, cold cuts, cheese and pre-packaged fresh fruit, veg and fish. Easy to install and clean, Leiden offers reduced maintenance costs and a significantly lower work load for store personnel.





CUSTOMISED PRESENTATION.

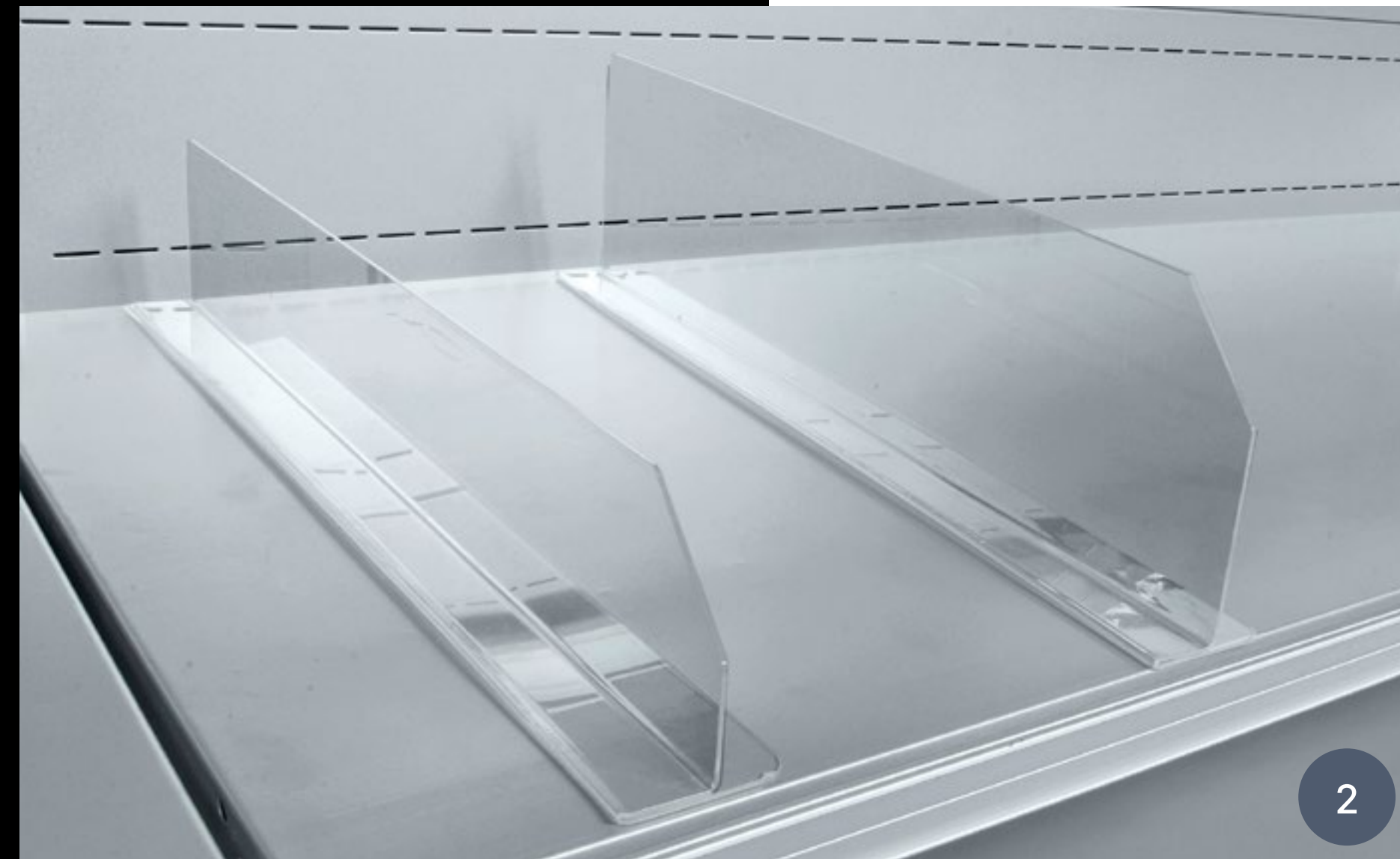
Leiden also comes in a semi-vertical version with an additional shelf for increased capacity and a more three-dimensional presentation. Thanks to a choice of two depths (70 and 100 mm) and four lengths (1250, 1875, 2500 and 3750 mm), Leiden can satisfy the display needs of any store.



ACCESSORIES

1 - Wire deck and basin partitions

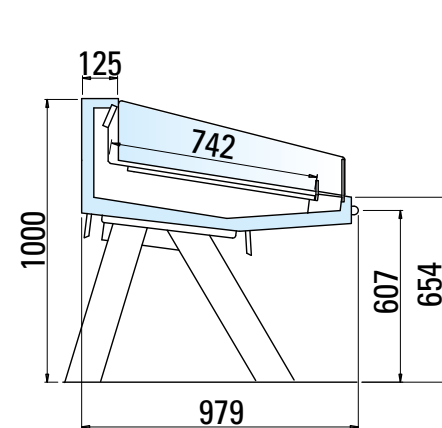
2 - Plexiglass partitions



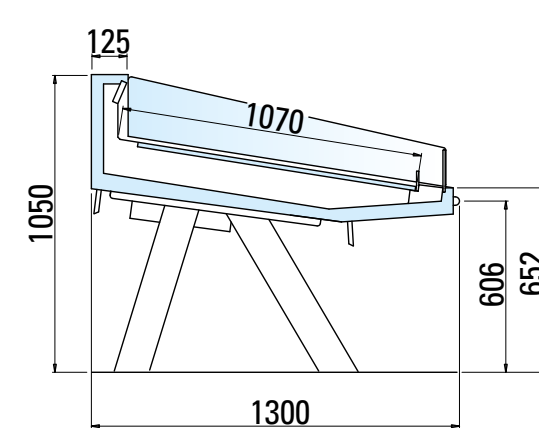
LEIDEN VETR TN V LINEARE R

Length without side panels (mm)		1250		1875		2500		3750	
Height (cm)		105	115	105	115	105	115	105	115
Temperature class	3M1	•	•	•	•	•	•	•	•
	3M2	•	•	•	•	•	•	•	•
Preservation temperature (°C)	0/+2	•	•	•	•	•	•	•	•
	+2/+4	•	•	•	•	•	•	•	•
Horizontal display area* (m²)	Depth 70	0,92	-	1,38	-	1,84	-	2,76	-
	100	1,34	1,81	2,01	2,71	2,67	3,62	4,01	5,42
Energy class**	Depth 70	A↑ G F	-	A↑ G F	-	A↑ G F	-	A↑ G F	-
	100	A↑ G F	A↑ G D	A↑ G F	A↑ G D	A↑ G F	A↑ G D	A↑ G F	A↑ G D

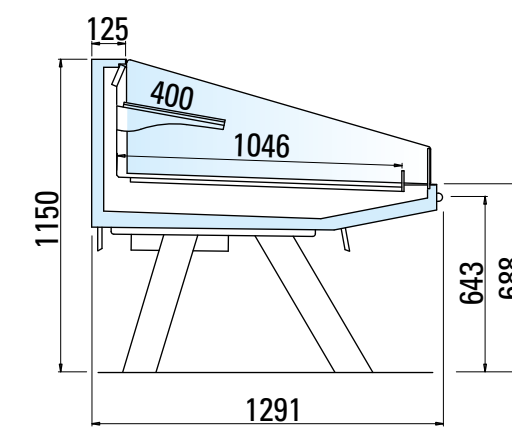
*Value referred to illustrated configurations. **The energy class may vary depending on the product configuration.



SELF 70 H105



SELF 100 H105

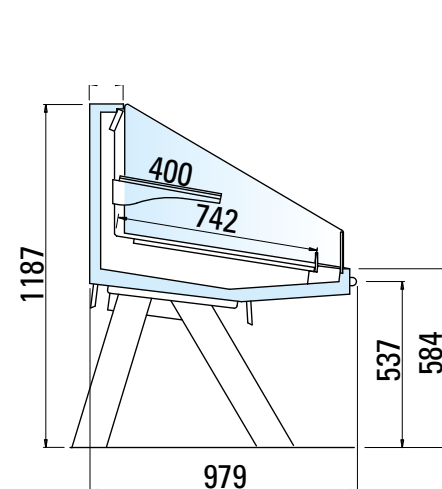


SELF 100 H115

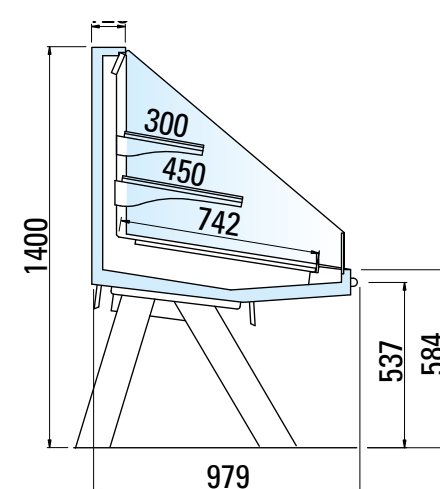
LEIDEN SVT- A-1 TN V LINEARE R

Length without side panels (mm)	1250			1875			2500			3750		
Height (cm)	120	140	120	130	140	120	130	140	120	130	140	
Temperature class	3M1	•	•	•	•	•	•	•	•	•	•	
	3M2	•	•	•	•	•	•	•	•	•	•	
Preservation temperature (°C)	0/+2	•	•	•	•	•	•	•	•	•	•	
	+2/+4	•	•	•	•	•	•	•	•	•	•	
Horizontal display area* (m²)	Depth 70	1,42	1,8	2,13	-	2,69	2,84	-	3,59	4,26	-	5,39
	100	-	-	-	2,75	-	-	3,67	-	-	5,51	-
Energy class**	Depth 70	A↑G D	A↑G D	A↑G D	-	A↑G D	A↑G D	-	A↑G D	A↑G D	-	A↑G D
	100	-	-	-	A↑G D	-	-	A↑G D	-	-	A↑G D	-

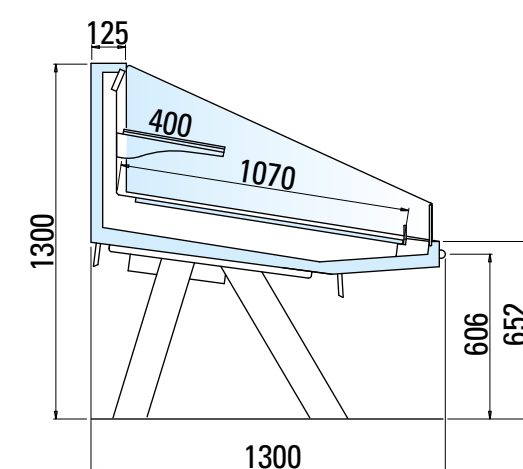
*Value referred to illustrated configurations. **The energy class may vary depending on the product configuration.



70 H120



70 H140



100 H130

ED. 00 - 21/11/2023

arneg[®]

WWW.ARNEG.COM



Arneg follows a policy of continuous improvement and reserves the right to update this document at any time without prior notice.