

ISLANDS AND HORIZONTAL DISPLAYS



LAVAL 4

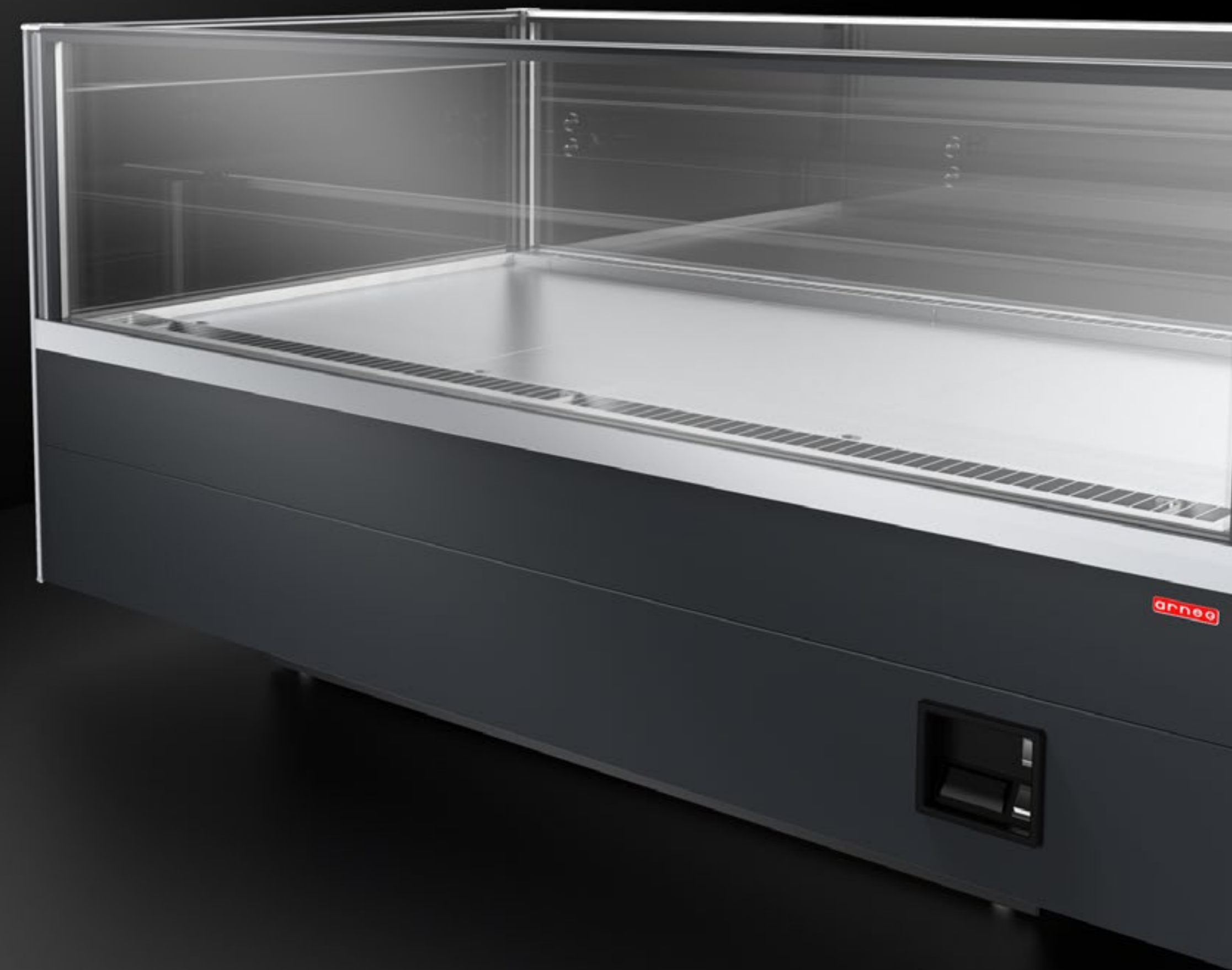


A
R
N
E
G

THE ART OF SELF-SERVICE.

Unrivalled accessibility, total transparency
and unbeatable efficiency:

Laval 4 is a plug-in open island that satisfies
all preservation and display needs thanks
to a choice of temperatures (NT or LT/NT)
and almost infinite customisation options.





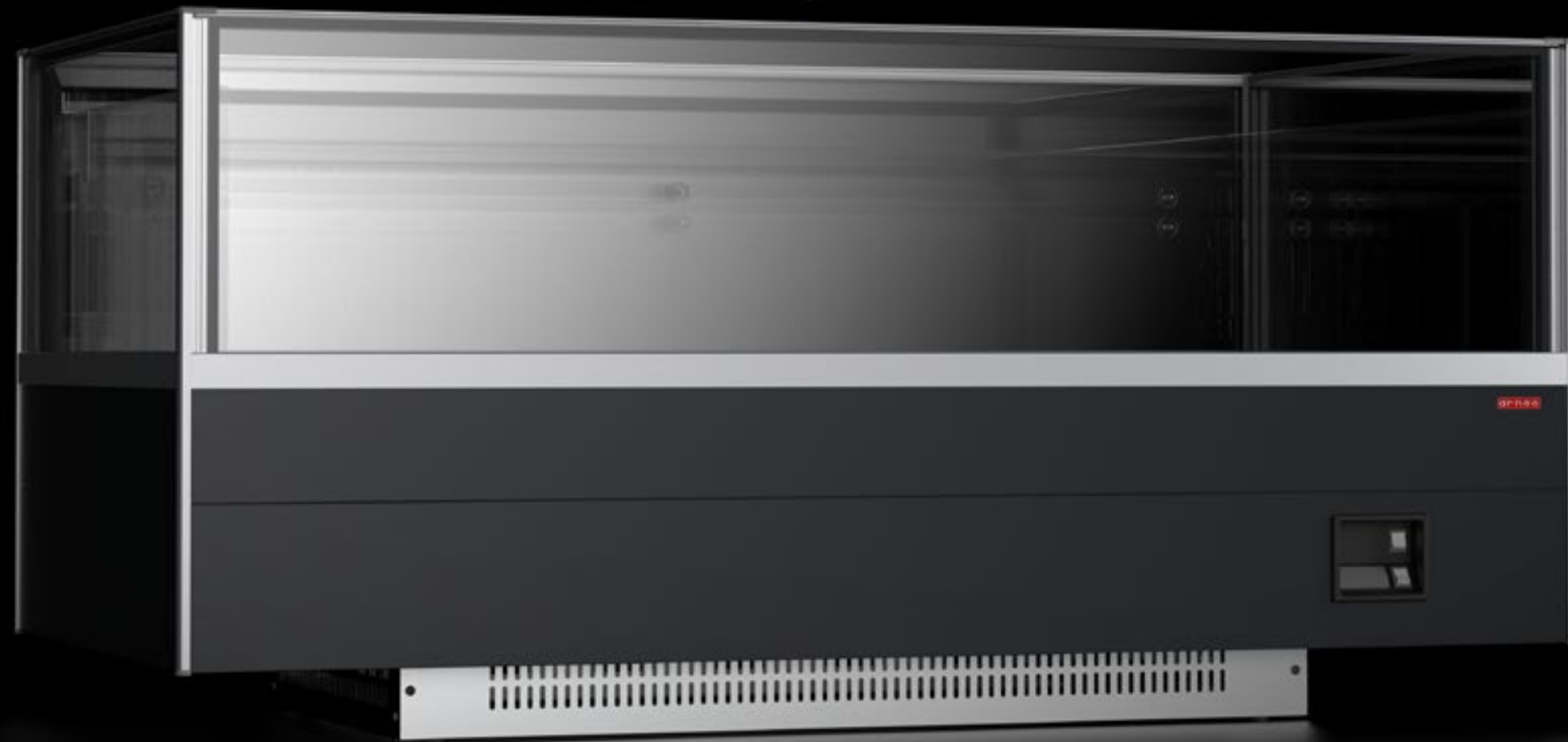
THE ERGONOMICS OF QUALITY.

Excellent product visibility and easy picking encourage self-service sales of pre-packaged fruit and veg, pre-packaged fish, meat, cold cuts, cheese and dairy products. In the LT/NT version, the **Laval 4** island is perfect for frozen food promotions.

- Maximum transparency
- Minimalist design
- High load capacity



— GAS —
R290
— —
— —
— —
— —



REFRIGERATION THAT PROTECTS THE FUTURE.

R290 natural refrigerant boosts efficiency and reduces impact on the environment. This solution combines our commitment to sustainability with a quest for ever better performance to limit electrical energy consumption and improve safety.

AN ISLAND OF VERSATILITY.



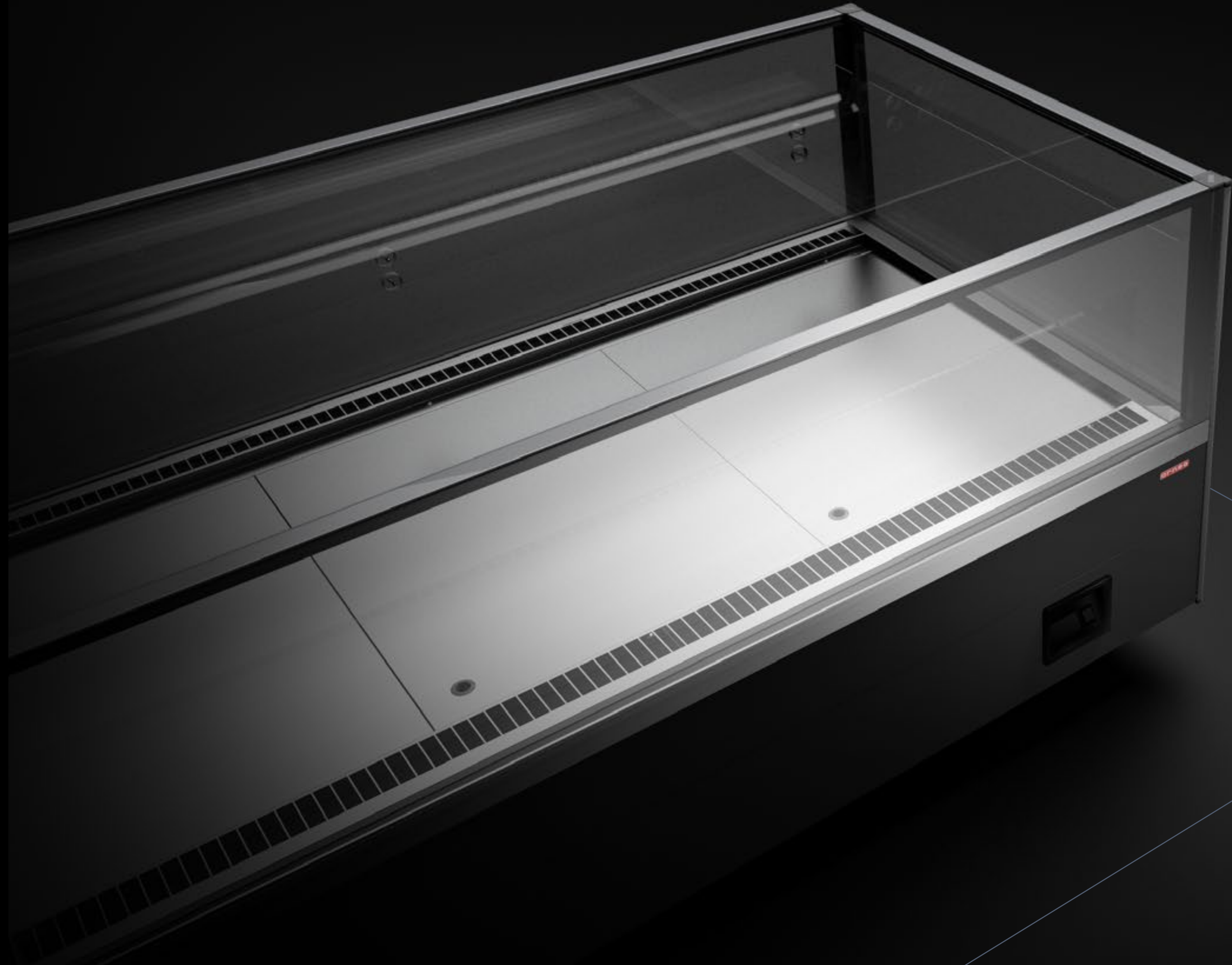
Laval 4 comes in various lengths (880, 1200, 1500, 1800, 2000 and 2400 mm) to satisfy in-store functional and display requirements. In the 2000 mm long version, it can also be used as an end unit for maximum freedom in the design of in-store space.



A high level of customisation can be achieved thanks to a wide range of wood, paint and mosaic effect finishing materials. Panels can also be changed easily, even after the display has been installed, to suit the needs of promotions and new store furnishings.



**INFINITE
PERSONALITY.**



- **Ecologically sustainable refrigeration**
- **High energy efficiency**
- **Different working temperatures**



ACCESSORIES

1 - Wheels kit

2 - LED lights

3 - Rectangular bumper

4 - Night cover



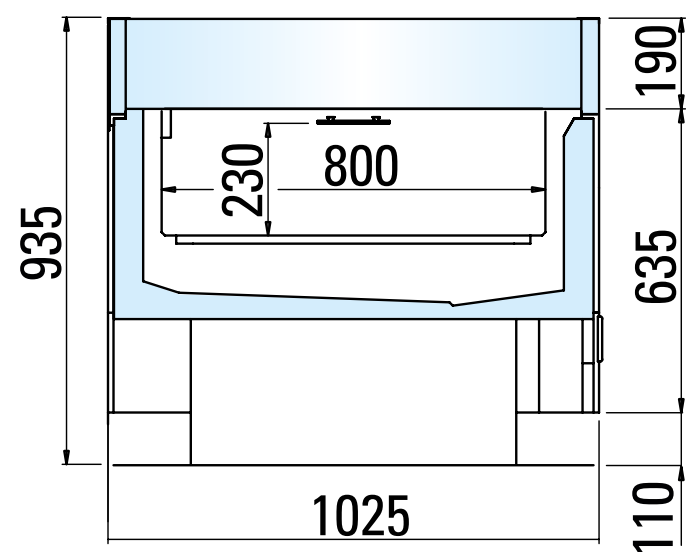
5 - Wire basin partitions

6 - Bottom grilles

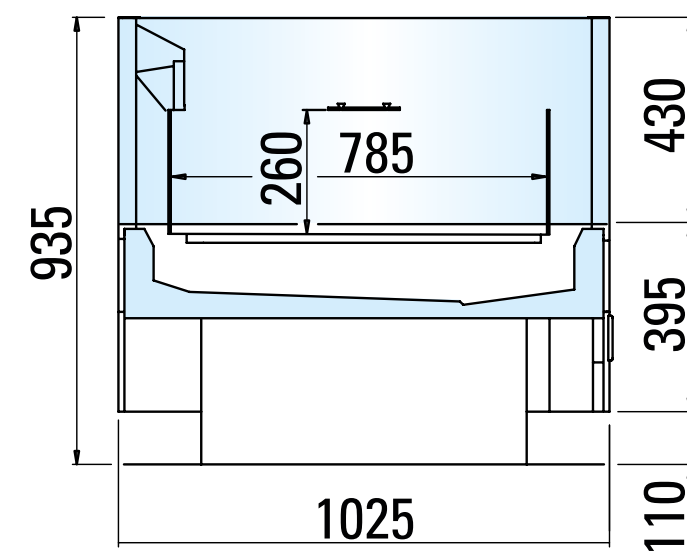
7 - Night blind

LAVAL 4 ISL-A-1 BT V LINEARE I

External length (mm)	1026		1345		1645		1945		2545
Height of glass front	G2	G4	G2	G4	G2	G4	G2	G4	G4
Temperature class	3L3	•	•	•	•	•	•	•	•
Preservation temperature (°C)	-18/-21	•	•	•	•	•	•	•	•
Refrigerant	R290	•	•	•	•	•	•	•	•
Horizontal display area* (m²)	0,7	0,69	0,96	0,94	1,2	1,18	1,44	1,41	1,88
Energy class**	A T G F		A T G F		A T G F		A T G F		A T G F



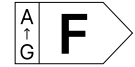





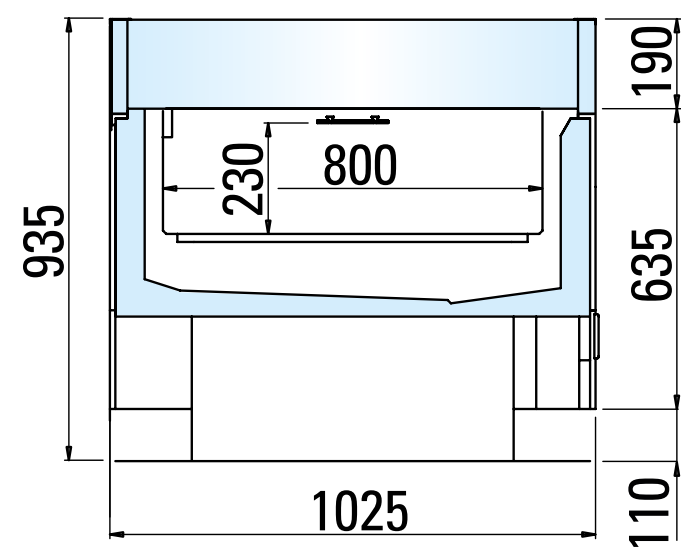
G2



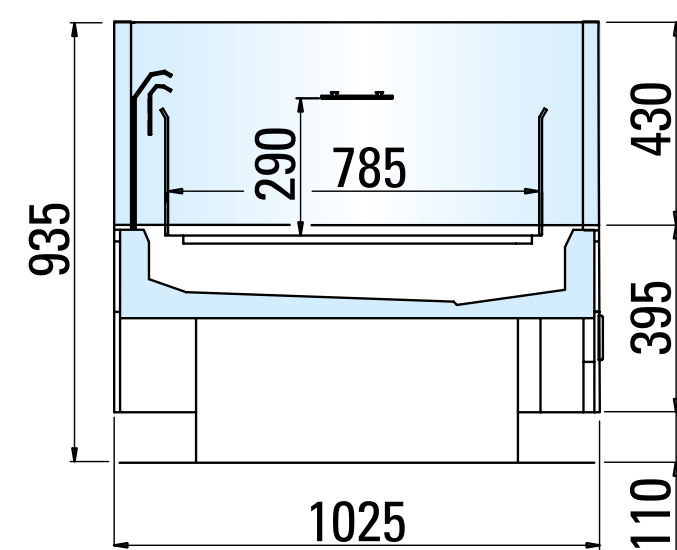
G4

LAVAL 4 ISL-A-1 TN V LINEARE I

External length (mm)		1026	1345		1645		2135	2545	
Height of glass front		G4	G2	G4	G2	G4	G4	G2	G4
Temperature class	3M1	•	•	•	•	•	•	•	•
Preservation temperature (°C)	0/+2	•	•	•	•	•	•	•	•
Refrigerant	R290	•	•	•	•	•	•	•	•
Horizontal display area* (m²)		0,69	0,96	0,94	1,2	1,18	1,56	1,92	1,88
Energy class**									



G2



G4

ED. 00 - 21/04/2023

arneg[®]

WWW.ARNEG.COM



Arneg follows a policy of continuous improvement and reserves the right to update this document at any time without prior notice