

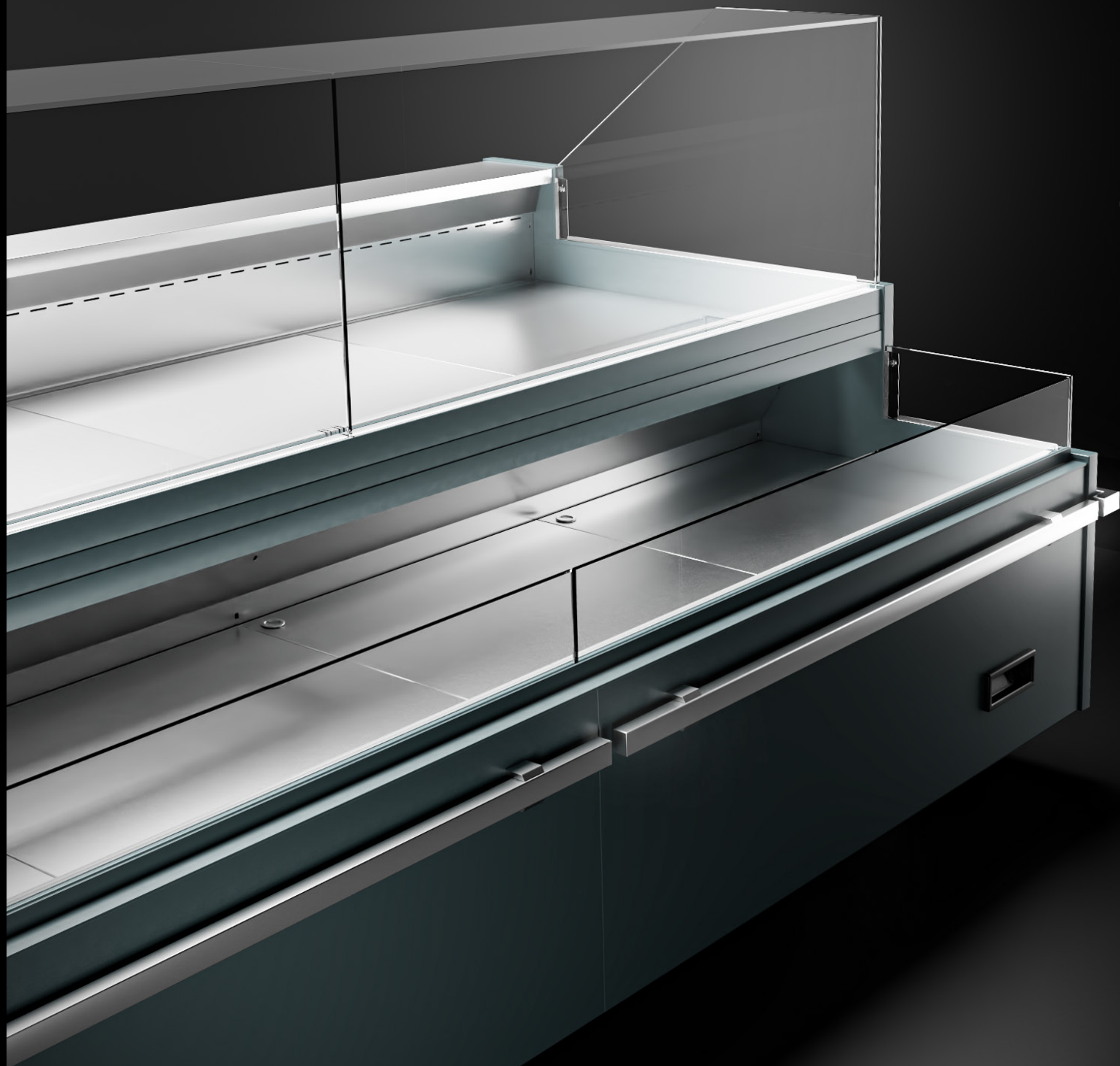
SERVE-OVER COUNTER AND SEMI-VERTICAL

□□□

KORINTHOS 3 LX



A
R
N
E
G



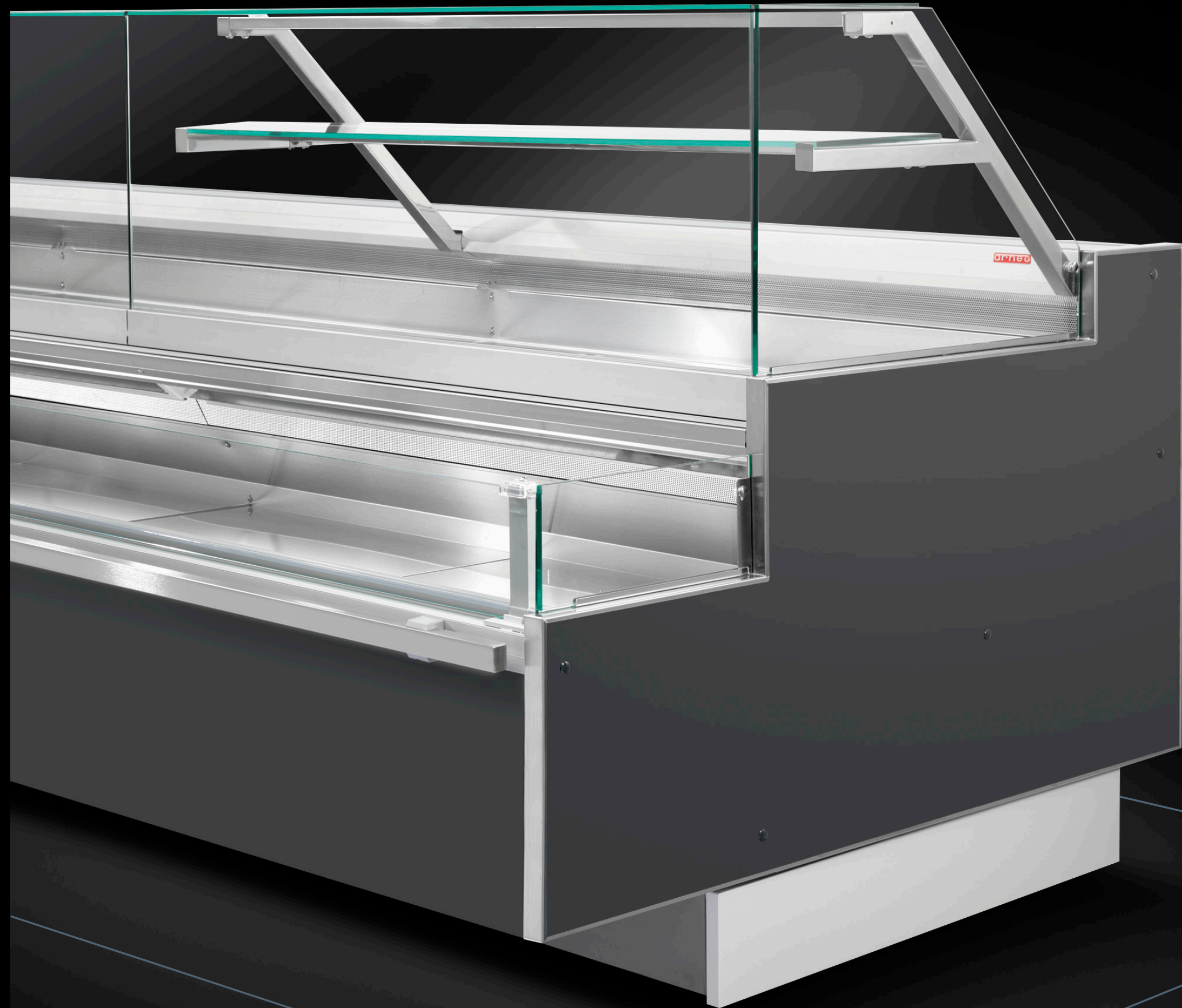
FOCUS ON FRESHNESS.

Korinthos 3 LX is so much more than just a refrigerated counter. Thanks to the ability to integrate serve-over and self-service functions in the same unit, customers are given maximum freedom of choice. The all-round view and excellent transparency afforded by the new LX design stimulate impulse buying too.

TWO FUNCTIONS FROM THE SAME SOLUTION.

The availability of serve-over and self-service functionalities from the same counter lets you increase the range of deli, meat, cold cuts, fresh and ready-to-eat products on display while making purchases easier and optimising in-store space.





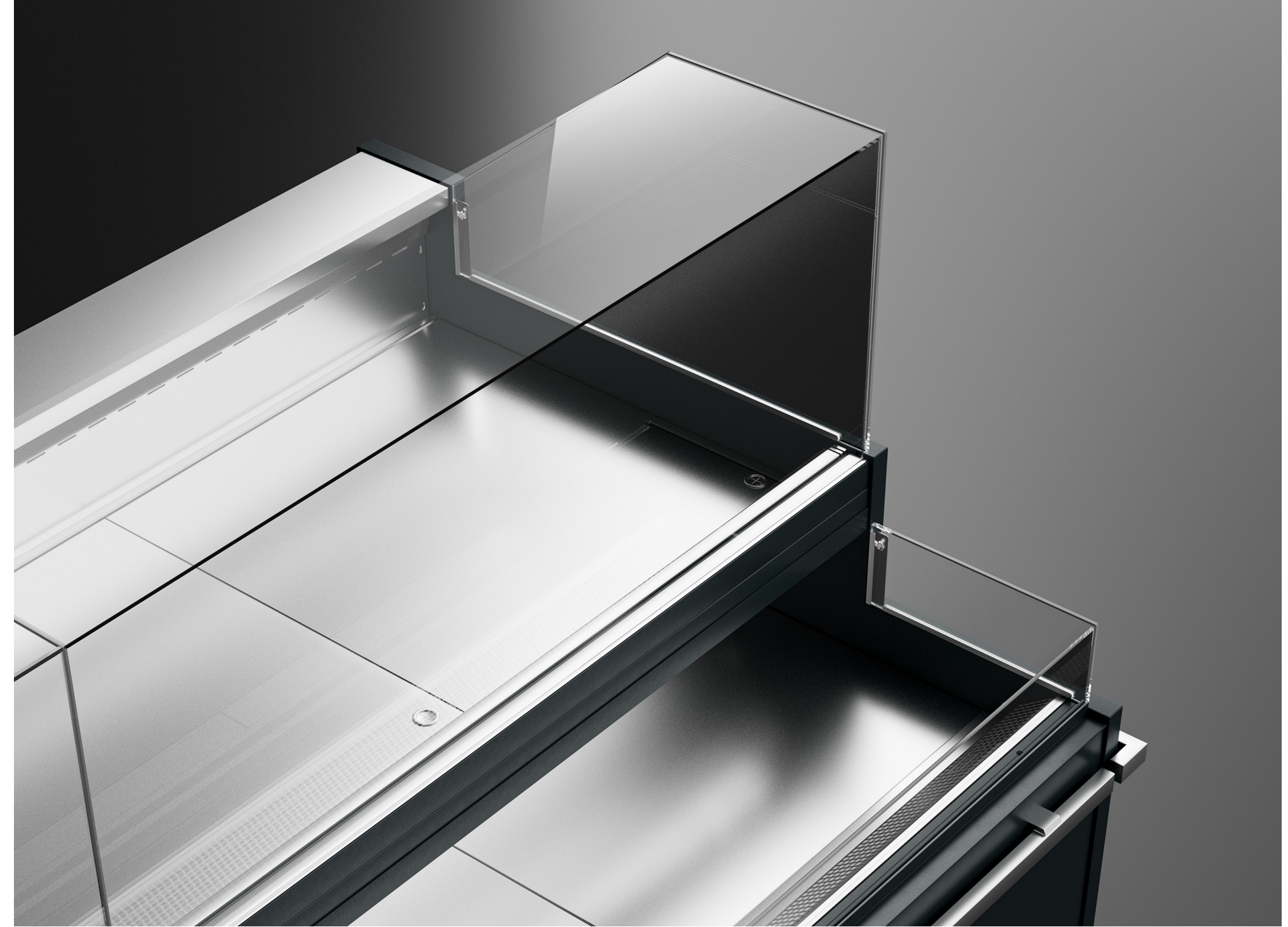
LX DESIGN: QUALITY TAKES THE STAGE.

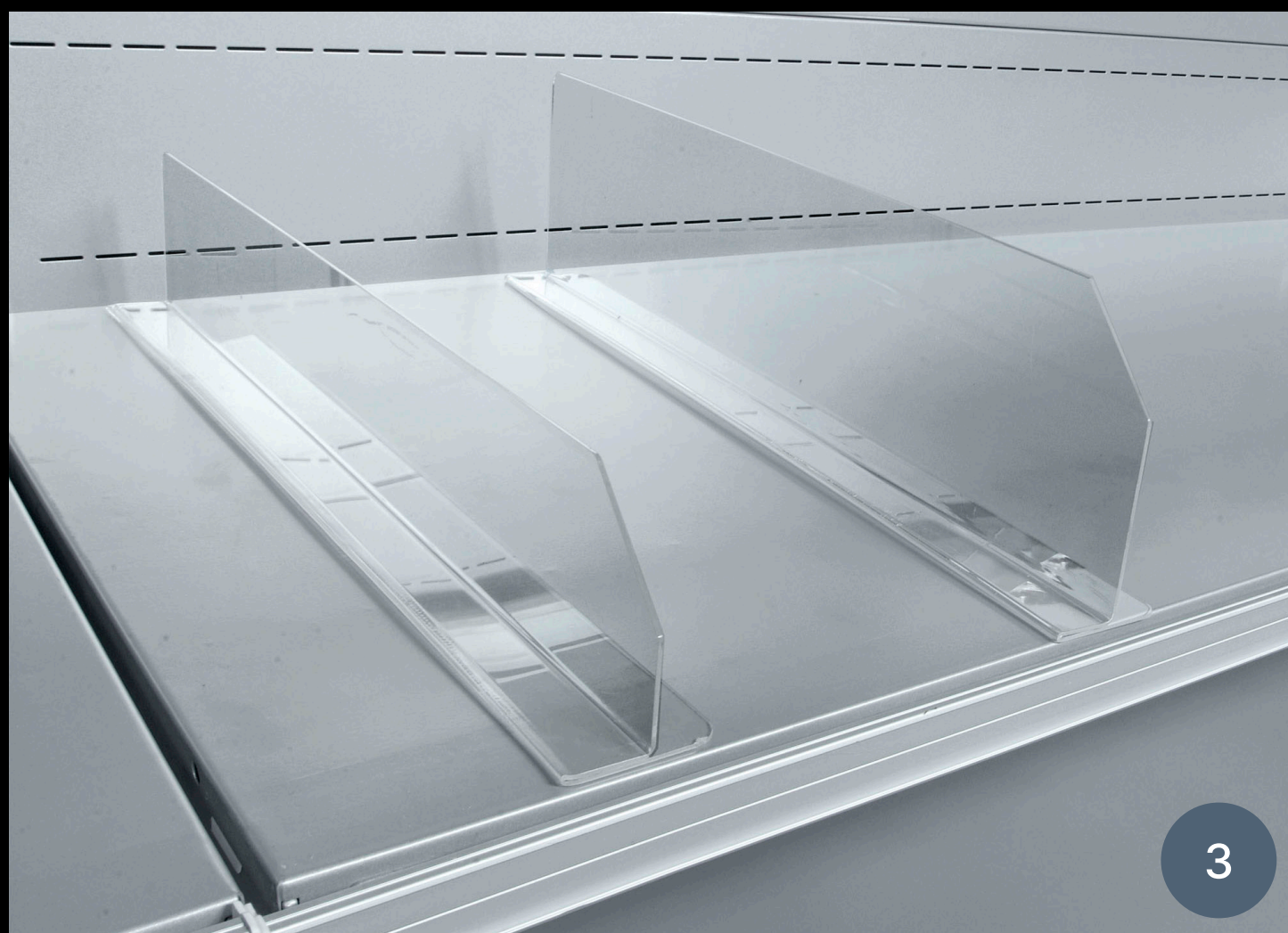
Clean, linear and lightweight forms enhance visibility and focus attention on the freshness of the foods.

This new design also ensures a uniform look with other Arneg LX cabinets.

PANORAMIC TRASPARENCY.

The essential lines of this advanced design blend perfectly with the panoramic view afforded by vertical glass, a design solution that places your products in full view, drawing attention to their quality.





ACCESSORIES

1 - Intermediate shelf

2 - Sliding stainless-steel shelf

3 - Plexiglass partitions

4 - Bag hook



5 - Scales holder



6 - Sliding polythene cutting board

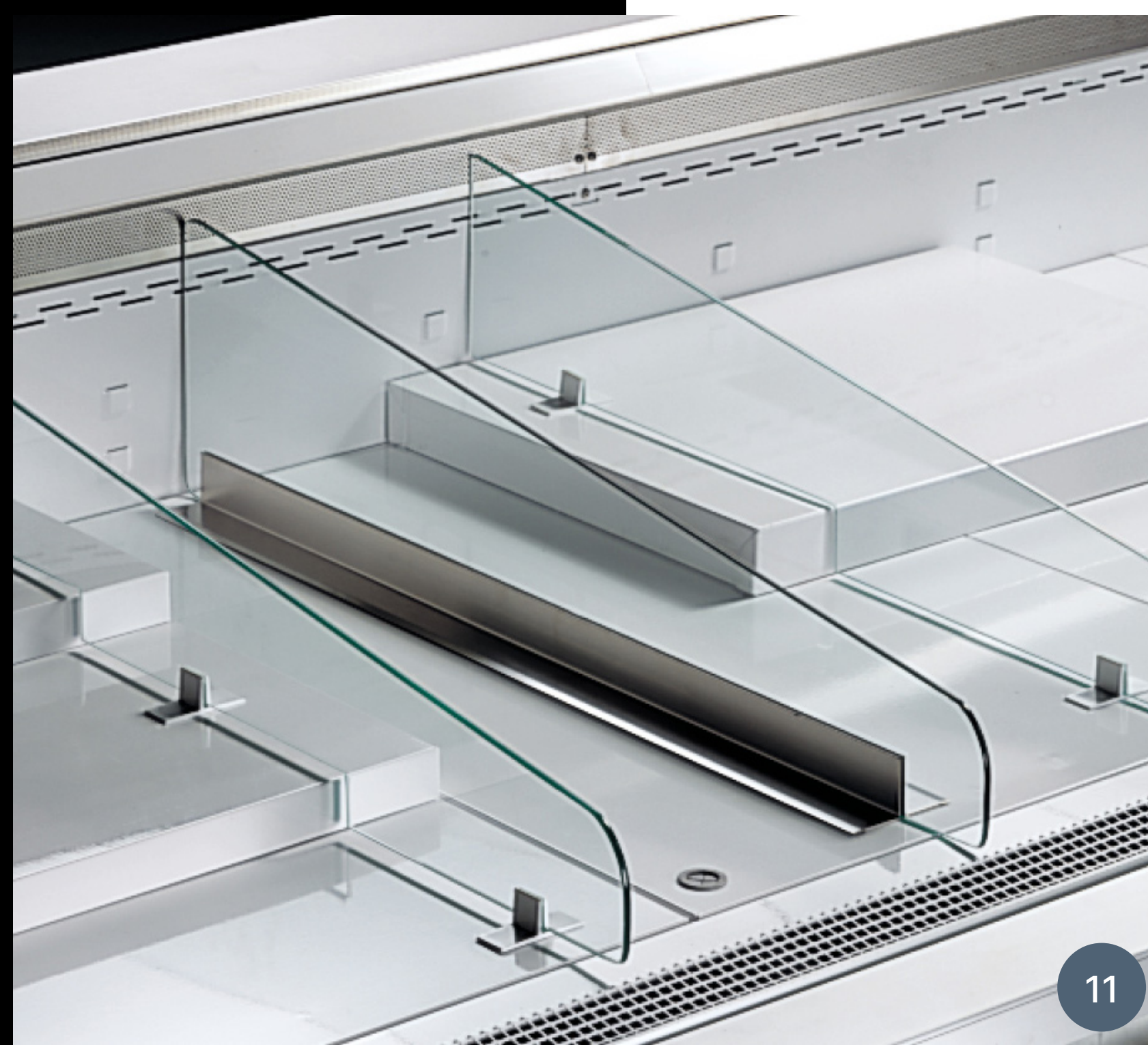


7 - Paper holder

8 - Knife holder



8







9 - Wire deck and basin partitions

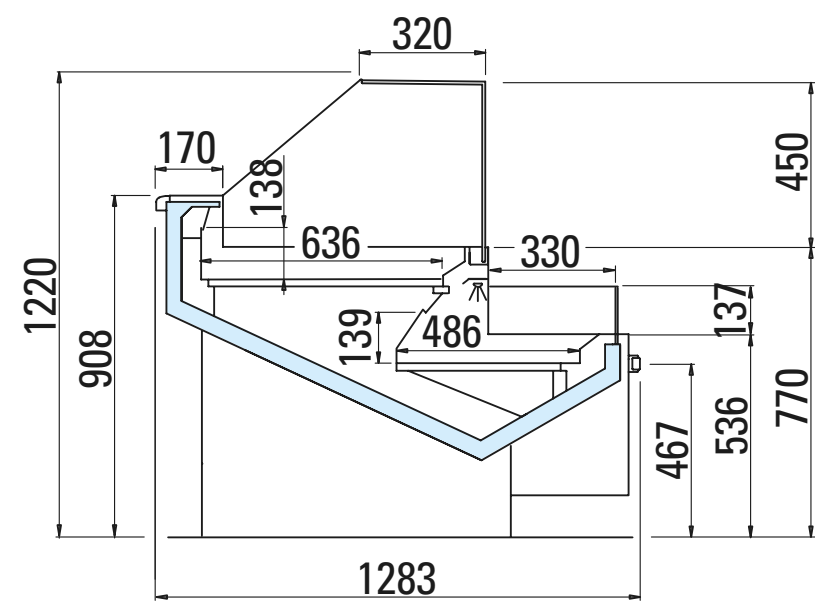
10 - Slicer holder

11 - Glass basin partitions

KORINTHOS 3 LX VETR TN-TN V LINEARE R

External length (mm)		1250	1875	2500	3750
Temperature class	3 M1	•	•	•	•
	3 M2	•	•	•	•
Preservation temperature (°C)	0/+2	•	•	•	•
	+2/+4	•	•	•	•
Horizontal display area* (m ²)		1,41	2,11	2,82	4,22
Energy class**					

*Value referred to illustrated configurations. **The energy class may vary depending on the product configuration.



VDB

ED. 00 - 30/06/2023

arneg[®]

WWW.ARNEG.COM



Arneg follows a policy of continuous improvement and reserves the right to update this document at any time without prior notice.