

SERVE-OVER COUNTER AND SEMI-VERTICAL

□□□

BADEN



A
R
N
E
G

A NEW DIMENSION IN VERSATILITY.

Design meets functionality to deliver sensational solutions.

Like **Baden** displays by Arneg that redefine the counter concept with their extreme versatility, display capacity unique in their market and superior transparency and product visibility.





COMBINATIONS TO SUIT EVERY NEED.

The vast range of available versions means every store can find the right solution to suit its needs. The counter tower version with a tall serve-over section does away with the need for a rear service cabinet, slashes equipment costs and reduces footprint in the sales area.



Self-service or serve-over counter? Both solutions are possible with Baden, combining them in one counter for completeness and functionality. Or a single model can be adopted, tailoring the display to specific store needs.

- Stores a wide range of foods
- Excellent view of displayed products
- Maximum customisation



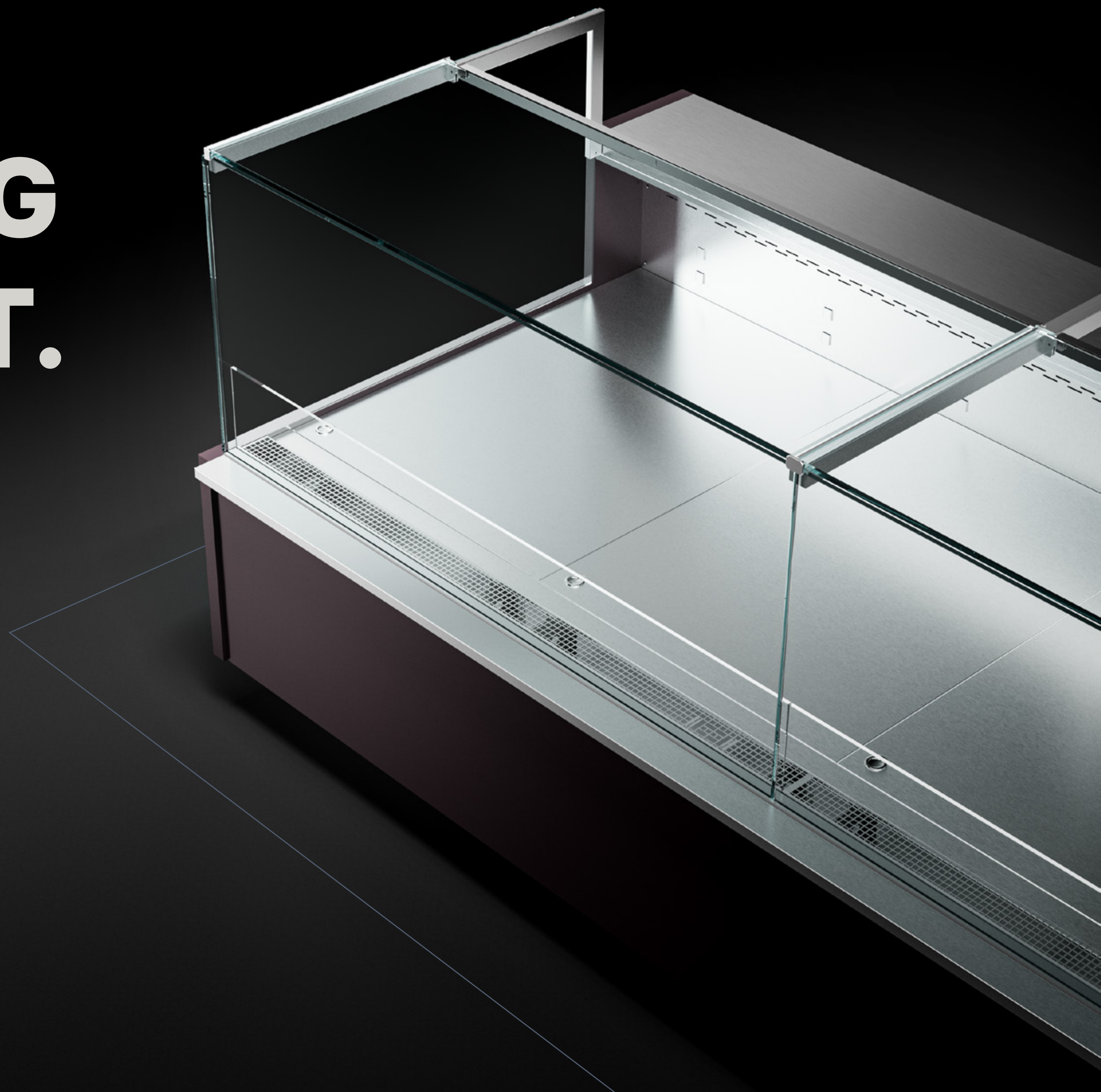


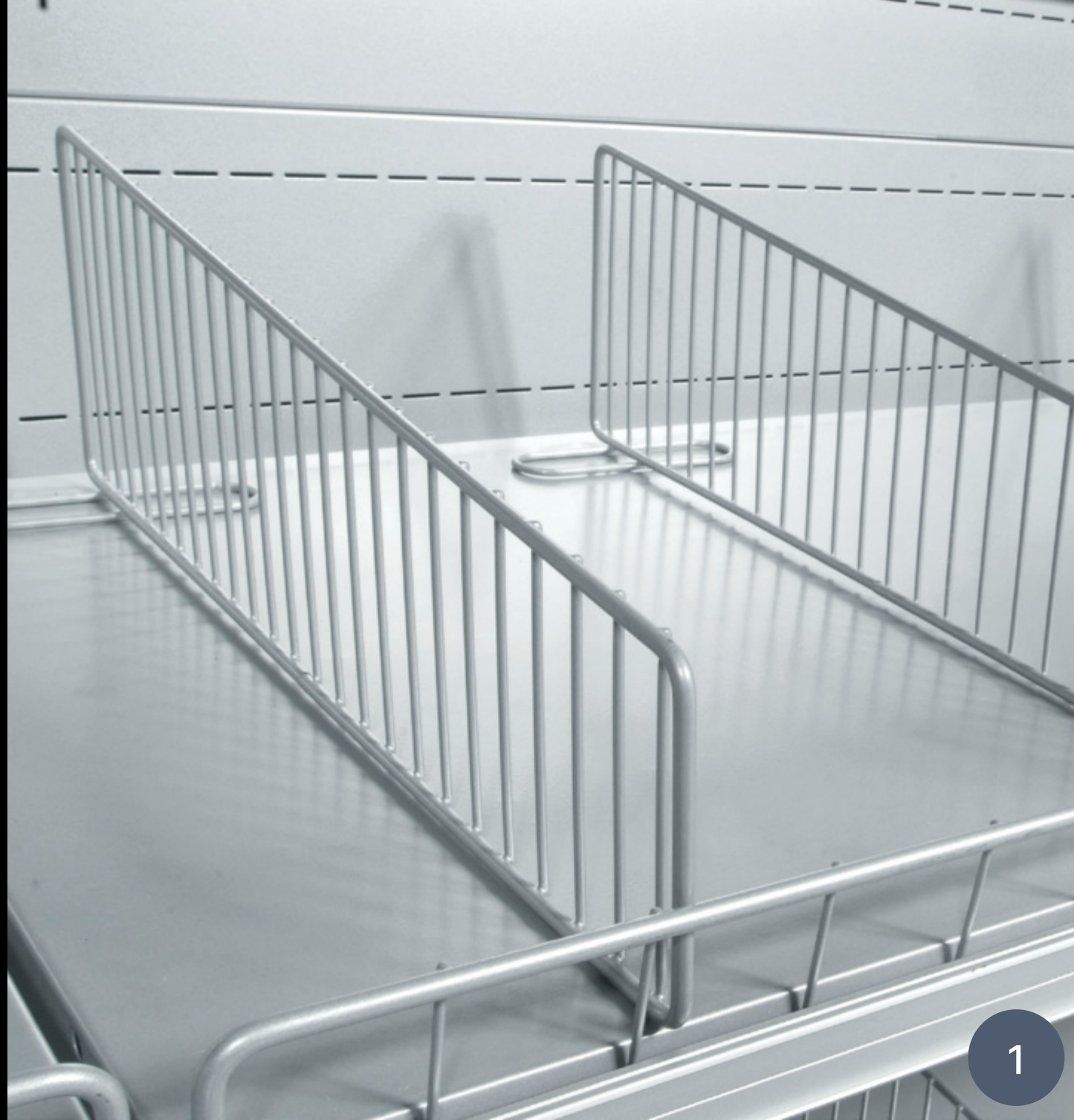
FUNCTIONALITY ON DISPLAY.

Semi-vertical open cabinet, unrefrigerated display, hot case or with an ice bed cooling coil: the Baden family always offers the right solution. This versatility makes preservation and presentation of pre-packed fresh fruit and veg, cold deli, meat, cold cuts, cheese and fresh milk, bread, patisserie and seafood possible.

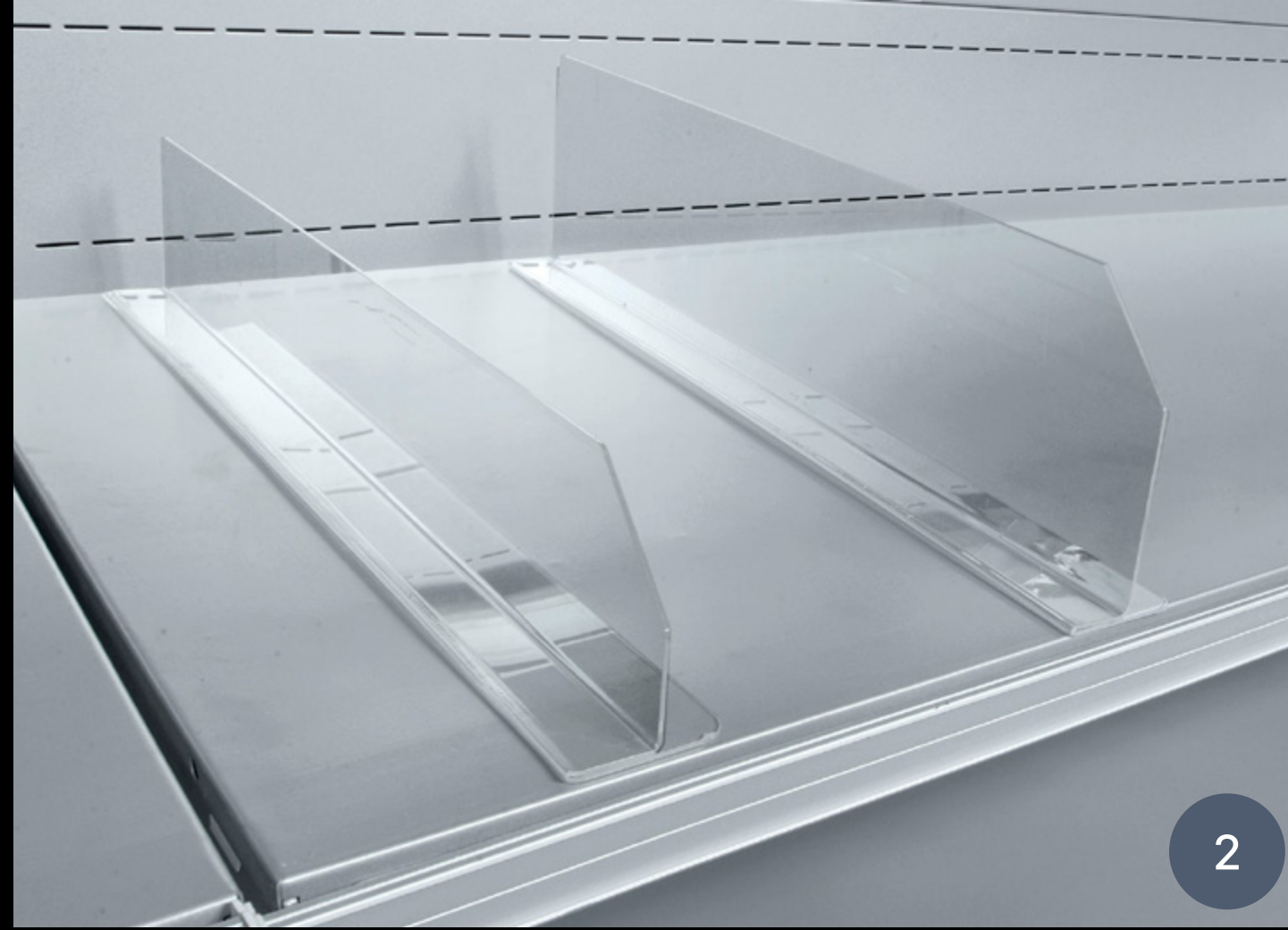
AN ALLURING OUTFIT.

The combination of a large display area and simple, modern design enhances the panoramic view of products. The elegant, contemporary style means this family of counters fits even the most refined store environments.

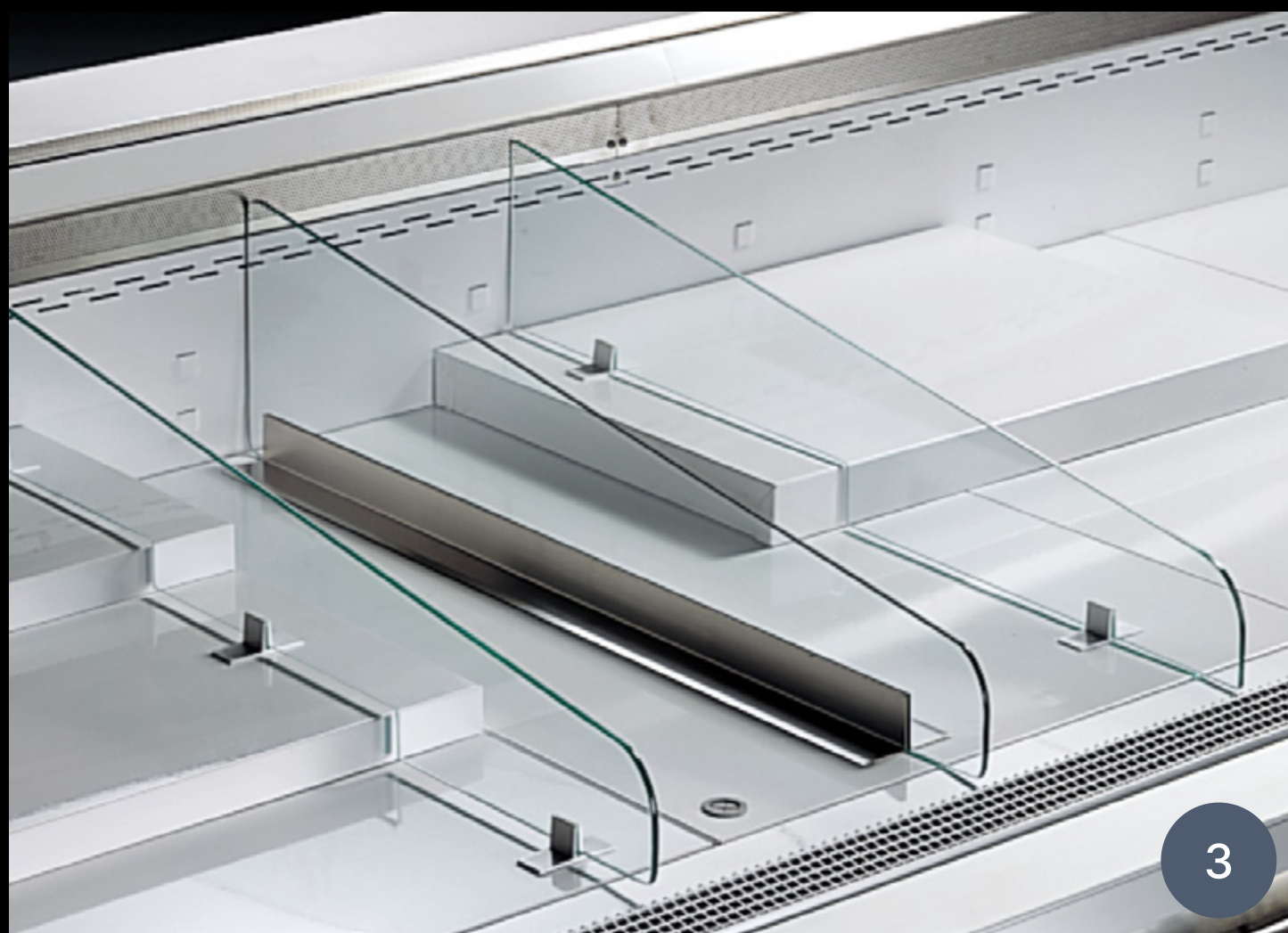




1



2



3



4

ACCESSORIES

- 1 - Wire deck and basin partitions
- 2 - Plexiglass deck and basin partitions
- 3 - Glass basin partitions
- 4 - Bread grille



5 - Bag hook

6 - Scales holder

7 - Paper holder

8 - Knife holder





9 - 3-step stainless-steel tray

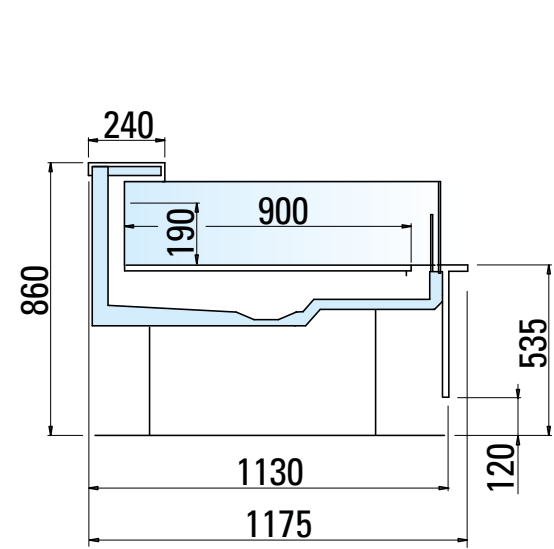
10 - 2-step stainless-steel tray

11 - Slicer holder

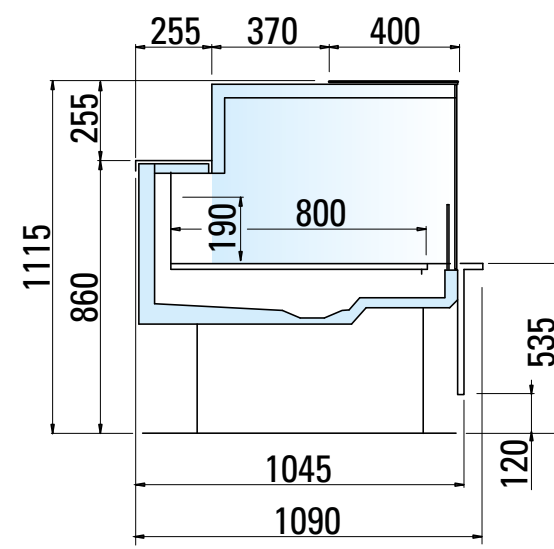
BADEN VETR TN V LINEARE R

Length without side panels (mm)		937	1250	1875	2500	3750
Temperature class	3 M1	•	•	•	•	•
	3 M2	•	•	•	•	•
Preservation temperature (°C)	0 / +2	•	•	•	•	•
	+2 / +4	•	•	•	•	•
Horizontal display area* (m ²)	Depth 80	0,75	1	1,50	2	3
	90	0,84	1,13	1,69	2,25	3,38
Energy class**	Depth 80 -90					

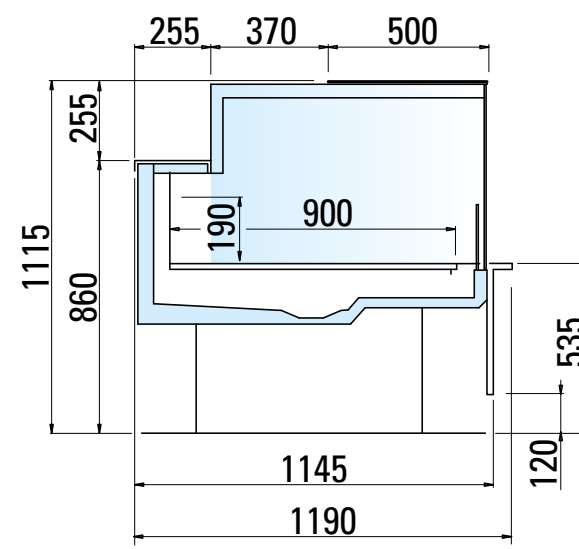
*Value referred to illustrated configurations. **The energy class may vary depending on the product configuration.



SELF 90



VDF 80

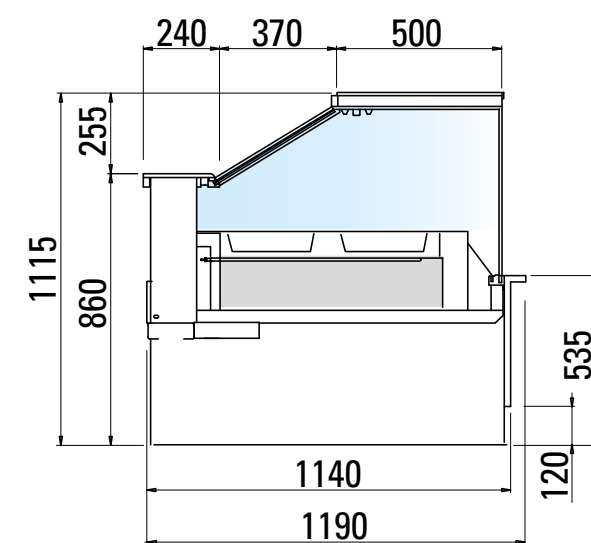


VDF 90

BADEN VETR-PW TC LINEARE

Length without side panels (mm)		937	1250
Stored product temperature (°C)	+ 70	•	•
Horizontal display area* (m²)		0,54	0,76

Model not subject to energy labelling.

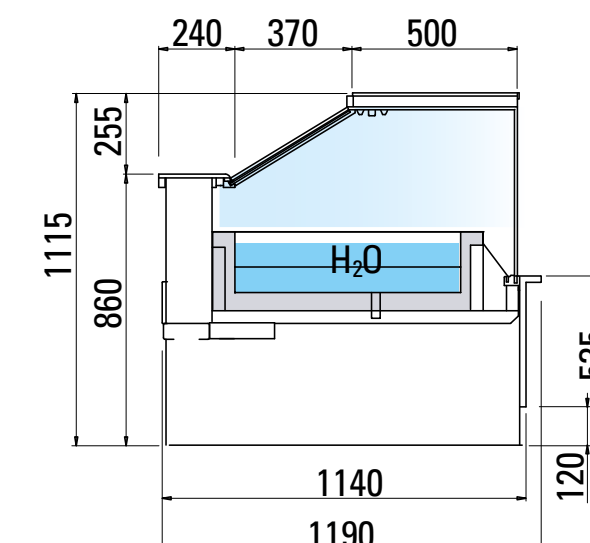


VDF 90

BADEN VETR-BM TC LINEARE

Length without side panels (mm)		937	1250
Stored product temperature (°C)	+ 70	•	•
Horizontal display area* (m²)		0,54	0,76

Model not subject to energy labelling.



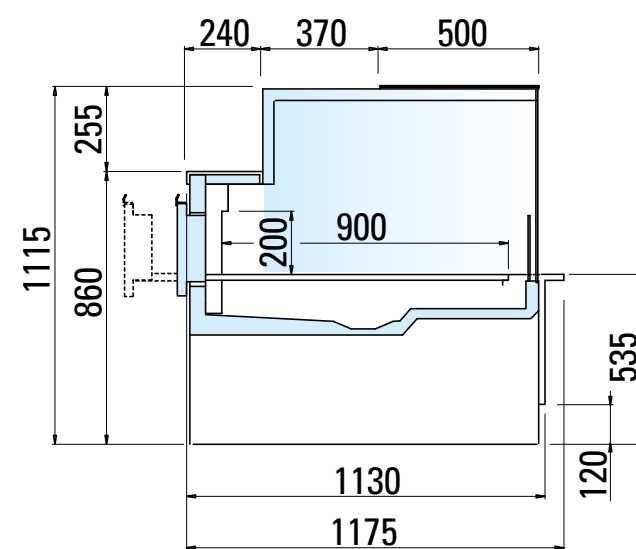
VDF 90

BADEN VETR-CK TN V LINEARE R

Length without side panels (mm)		1250	2500
Temperature class	3 M2	•	•
Preservation temperature (°C)	+2 / +4	•	•
Horizontal display area* (m²)		1,13	2,25
Energy class**		E	E

*Value referred to illustrated configurations.

**The energy class may vary depending on the product configuration.

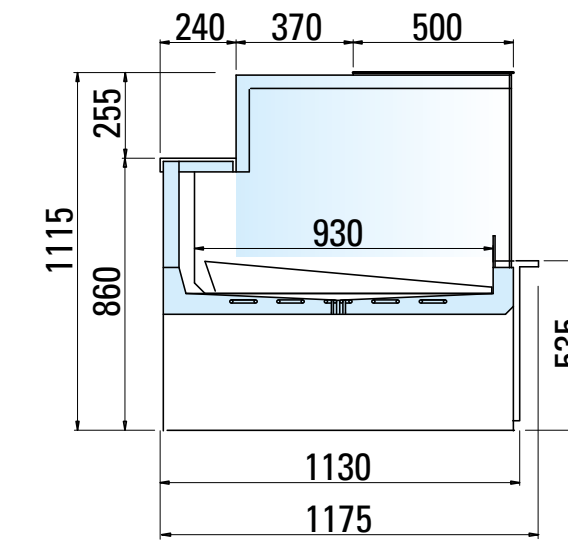


VDF 90

BADEN VETR-FH TN SCC LINEARE R

Length without side panels (mm)		937	1250	1875	2500	3750
Temperature class	3M1	•	•	•	•	•
Preservation temperature (°C)	0/+2	•	•	•	•	•
Horizontal display area* (m²)		0,88	1,17	1,76	2,35	3,52

Model not subject to energy labelling.



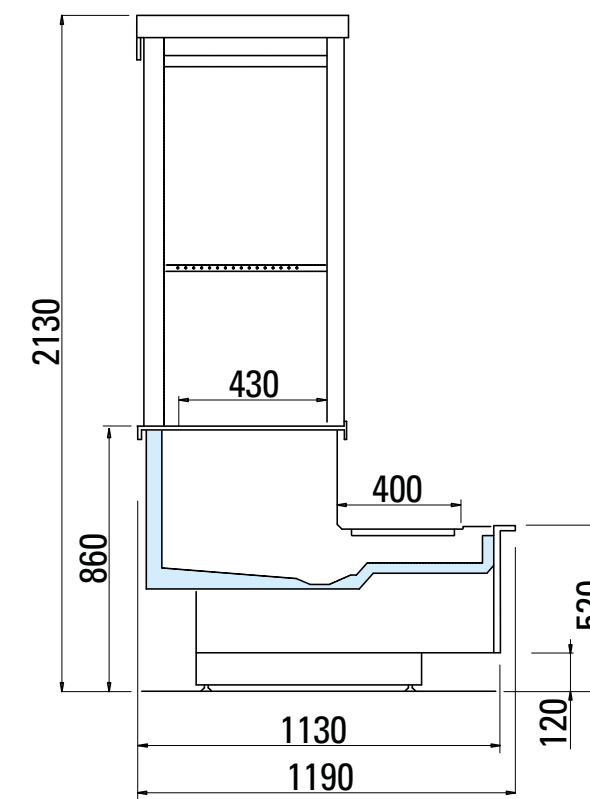
VDF 90

BADEN VETR-AV TN V LINEARE R

Length without side panels (mm)		1250
Temperature class	3 M2	•
Preservation temperature (°C)	+2 / +4	•
Horizontal display area* (m²)		1,04
Energy class**		E

*Value referred to illustrated configurations.

**The energy class may vary depending on the product configuration.

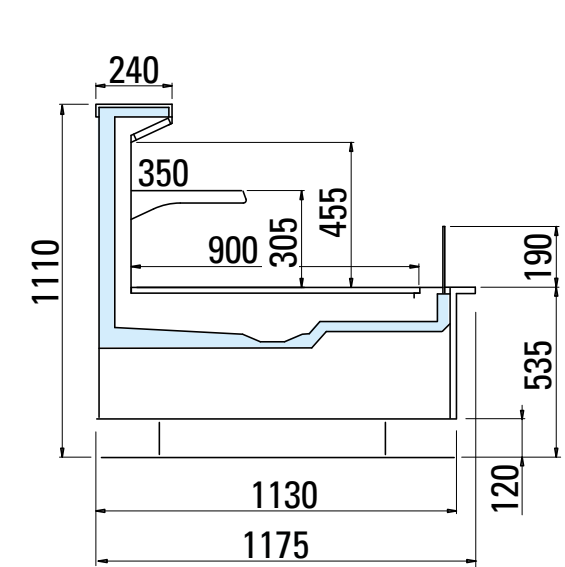


90

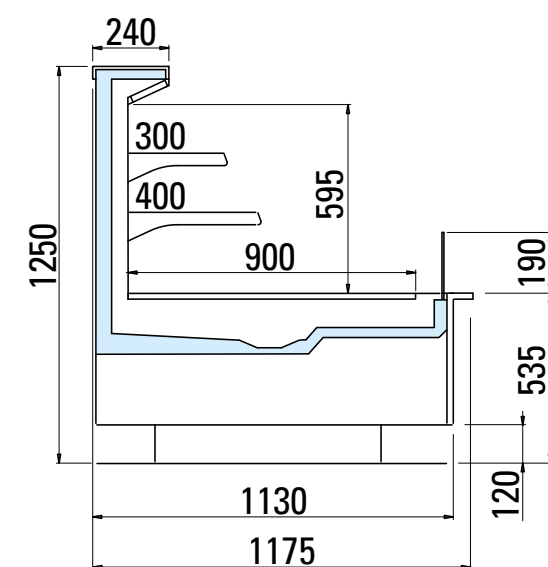
BADEN SVT-A-1 TN V LINEARE R

Length without side panels (mm)		937	1250		1875		2500		3750		
Height		125	110	125	110	125	110	125	110	125	
Temperature class	3 M1	•	•	•	•	•	•	•	•	•	
	3 M2	•	•	•	•	•	•	•	•	•	
Preservation temperature (°C)	0 / +2	•	•	•	•	•	•	•	•	•	
	+2 / +4	•	•	•	•	•	•	•	•	•	
Horizontal display area* (m ²)	Depth	90	1,5	1,6	2	2,4	3	3,2	4	4,8	6
	Energy class**	90									

*Value referred to illustrated configurations. **The energy class may vary depending on the product configuration.



90 H110



90 H125

ED. 00 - 20/02/2024

arneg[®]

WWW.ARNEG.COM



Arneg follows a policy of continuous improvement and reserves the right to update this document at any time without prior notice.