

VERTICAL



# ASTANAP



A  
R  
N  
E  
G



# FUNCTIONALITY ON DISPLAY.

**Astana P** is a vertical glass-door cabinet that satisfies the versatility and capacity needs of many types of store. Thanks to extremely reliable technology and top-quality presentation, this display boosts self-service frozen food sales and ensures perfect preservation too.



- **High capacity from a compact cabinet**
- **Small footprint**
- **Large display surface**
- **Optimised use of height**

# FOCUS ON PRODUCTS.

A minimalist structure and a large display surface combine to maximise product visibility. In addition to keeping electricity consumption down, the display's LED lighting system creates a stylish scenic effect and encourages impulse buying.





# MODERN, ERGONOMIC DESIGN.

Products are instantly recognisable and can be picked quickly and easily. In addition, the cabinet's excellent ergonomics means practicality for operators, for internal and external cleaning and for product loading.

# FLEXIBILITY AND HIGH PERFORMANCE.

The result of Arneg's technological research, Astana P ensures excellent performance in frozen food preservation. Thanks to an optimised use of height, this cabinet combines maximum load capacity with reduced footprint.





# ACCESSORIES

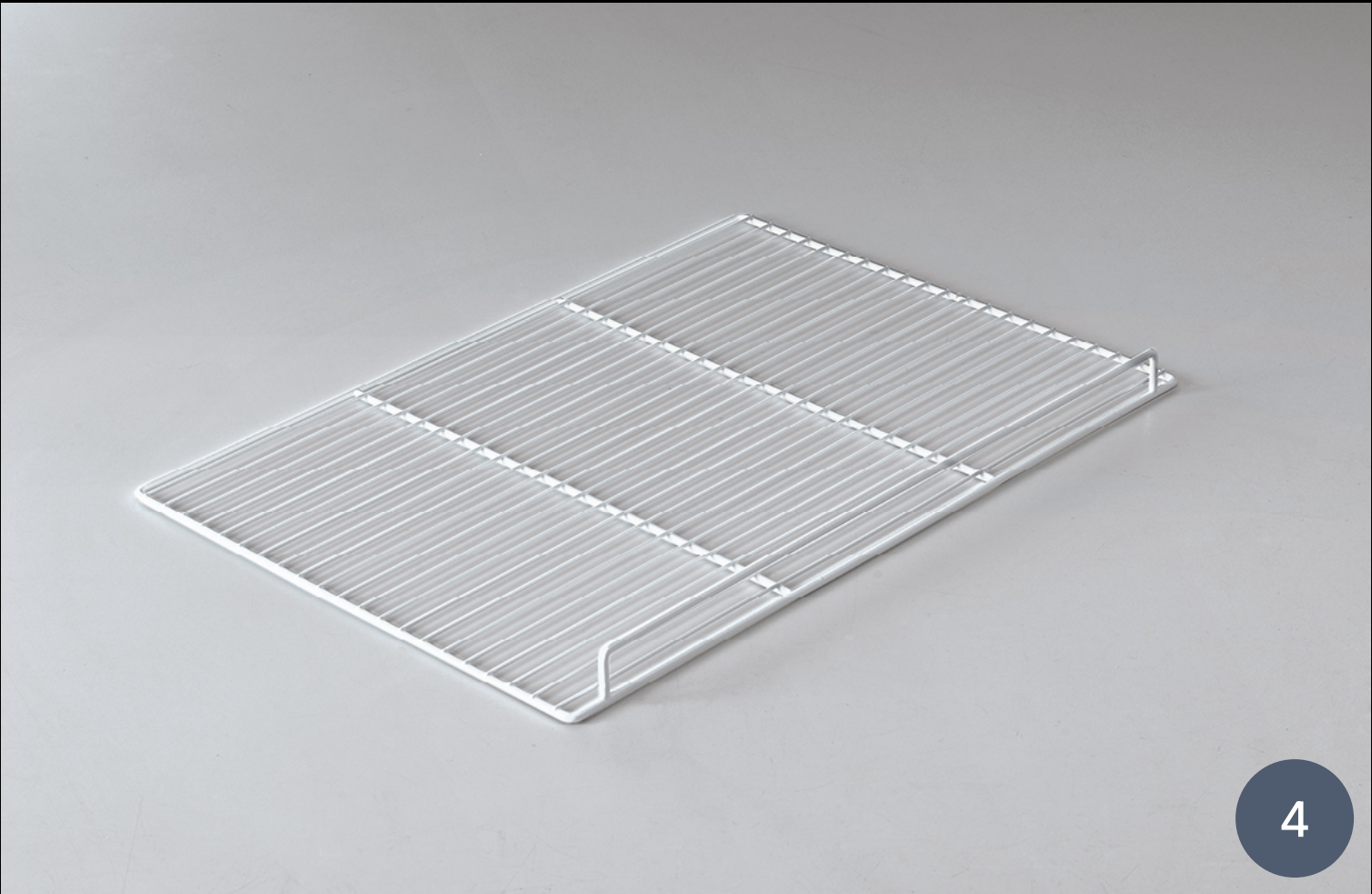
1 - DRVC side

2 - DRCI side





3



4



5

- 3 - LED light
- 4 - Bottom grilles
- 5 - Basket
- 6 - Pull-out basket



6



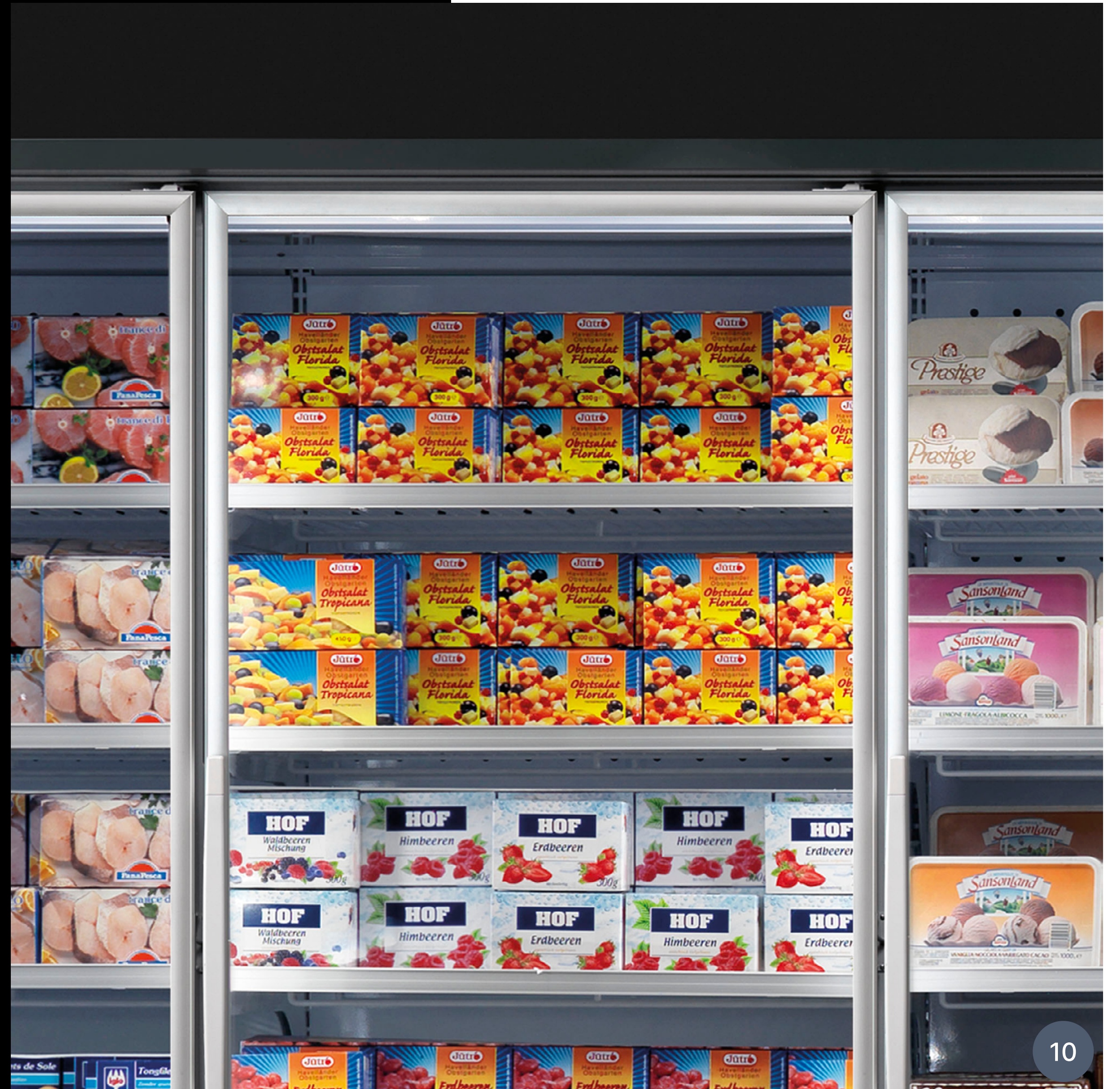


7 - Rectangular bumper

8 - Wire price holder shelf

9 - PVC bumper

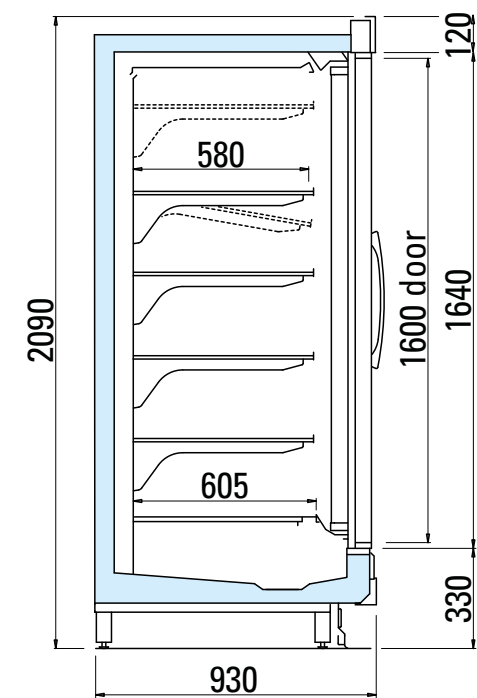
10 - Aluminium doors



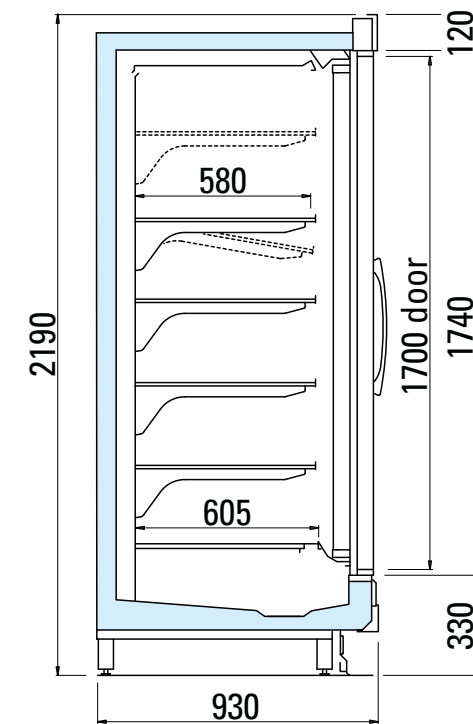
## ASTANA P VRT-C-1 BT V LINEARE R

|  |                |             |            |             |            |             |            |             |            |
|--|----------------|-------------|------------|-------------|------------|-------------|------------|-------------|------------|
| Length without side panels (mm)            |                | <b>1562</b> |            | <b>2343</b> |            | <b>3124</b> |            | <b>3905</b> |            |
| Height (cm)                                |                | <b>205</b>  | <b>216</b> | <b>205</b>  | <b>216</b> | <b>205</b>  | <b>216</b> | <b>205</b>  | <b>216</b> |
| Temperature class                          | <b>3L1</b>     | •           |            | •           |            | •           |            | •           |            |
| Preservation temperature (°C)              | <b>-22/-25</b> | •           |            | •           |            | •           |            | •           |            |
| Horizontal display area* (m <sup>2</sup> ) |                | 4,59        |            | 6,88        |            | 9,17        |            | 11,47       |            |
| Energy class**                             |                | A↑<br>G D   |            | A↑<br>G D   |            | A↑<br>G D   |            | A↑<br>G D   |            |

\*Value referred to illustrated configurations. \*\*The energy class may vary depending on the product configuration.



**94 H203**

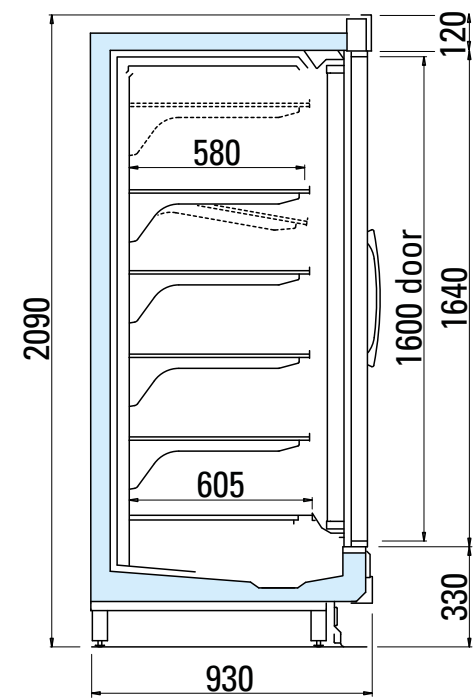


**94 H216**

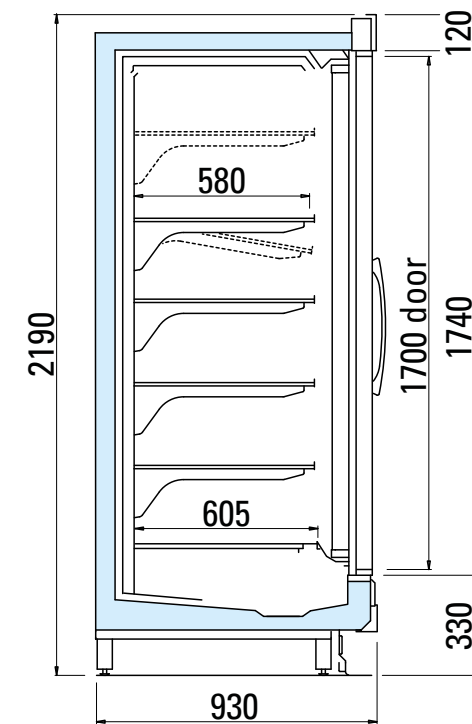
ASTANA P VRT-C-1 BT V2C LINEARE R

|  |                |            |              |            |              |            |              |            |
|--|----------------|------------|--------------|------------|--------------|------------|--------------|------------|
| Length without side panels (mm)            | <b>1562</b>    |            | <b>2343</b>  |            | <b>3124</b>  |            | <b>3905</b>  |            |
| Height (cm)                                | <b>205</b>     | <b>216</b> | <b>205</b>   | <b>216</b> | <b>205</b>   | <b>216</b> | <b>205</b>   | <b>216</b> |
| Temperature class                          | <b>3L1</b>     | •          | •            | •          | •            | •          | •            | •          |
| Preservation temperature (°C)              | <b>-22/-25</b> | •          | •            | •          | •            | •          | •            | •          |
| Horizontal display area* (m <sup>2</sup> ) | 4,59           |            | 6,88         |            | 9,17         |            | 11,47        |            |
| Energy class**                             | A+G <b>D</b>   |            | A+G <b>D</b> |            | A+G <b>D</b> |            | A+G <b>D</b> |            |

\*Value referred to illustrated configurations. \*\*The energy class may vary depending on the product configuration.



94 H203



94 H216

ED. 00 - 05/05/2024

**arneg**<sup>®</sup>

[WWW.ARNEG.COM](http://WWW.ARNEG.COM)



Arneg follows a policy of continuous improvement and reserves the right to update this document at any time without prior notice.