

SERVE-OVER COUNTER AND SEMI-VERTICAL

□□□

ARLES



A
R
N
E
G

THE ATTRACTION OF TRANSPARENCY.

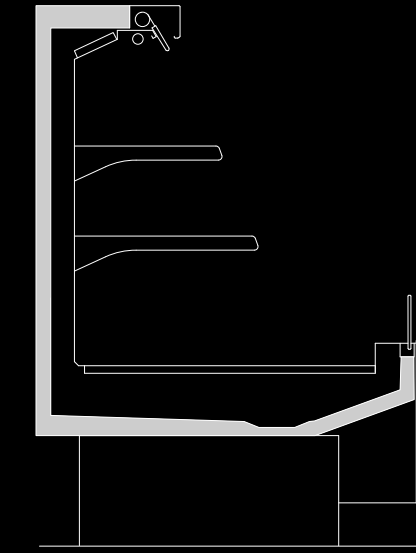
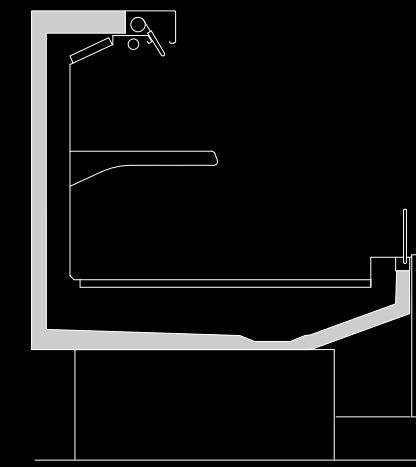
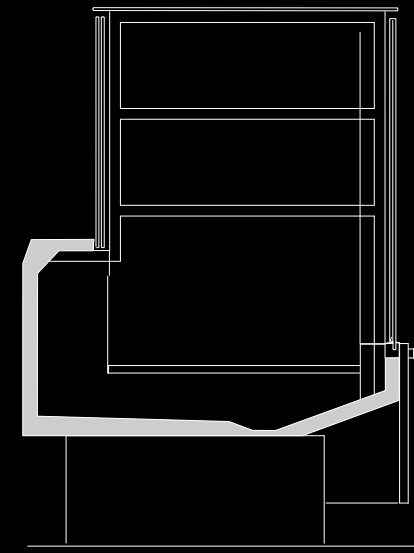
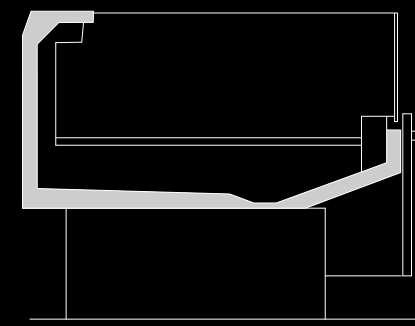
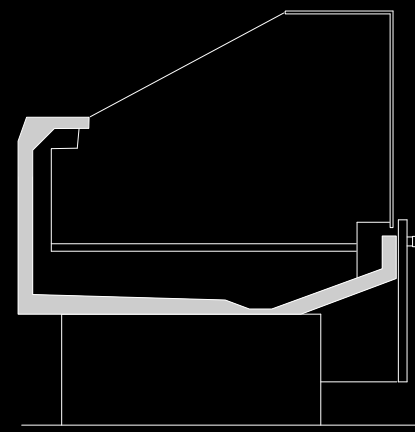
The **Arles** line of counters features minimalist design. A structure free from metal pillars exploits the glass surfaces to the full and provides a complete, panoramic view of the products on display. **Arles** displays are completely transparent and remove all visual barriers between your customers and your products.





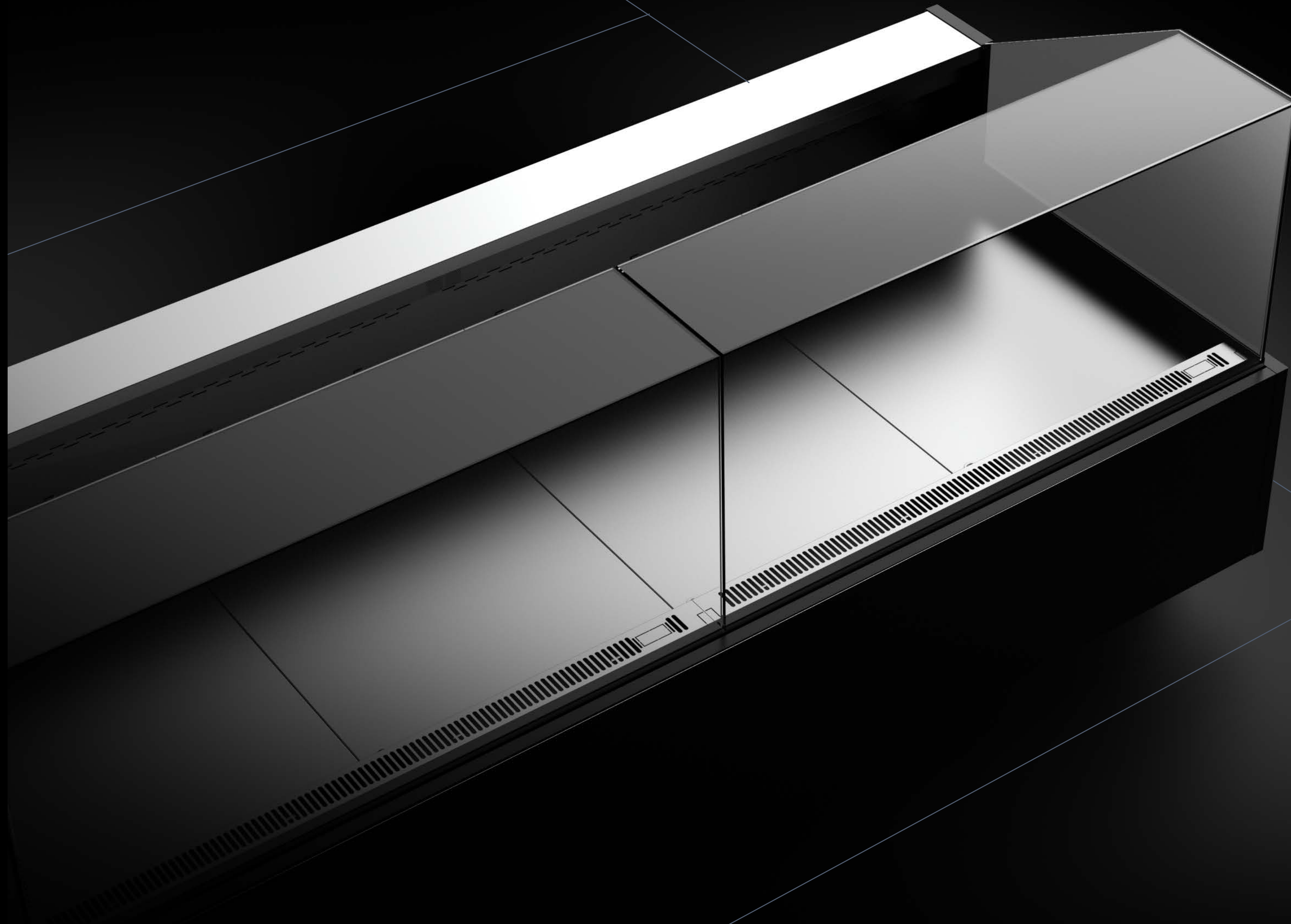
- **Linear design**
- **Pillar-free glass**
- **Foods in clear view**

10 MODULES, 7 LENGTHS, ENDLESS COMBINATIONS.



Arles counters can be multiplexed, accessorised and their finish completely customised. Modules can be assembled to suit the space available and arranged to meet the needs of the store.





- Optimised use of space
- Flexible, functional compositions
- Configurations can be modified over time

MULTIFUNCTIONAL EFFICIENCY.

Their amazing versatility makes **Arles** refrigerated counters ideal for serve-over and self-service applications.

- Semi-vertical cabinet
- Serve-over solutions
- Self-service solutions
- Tower version





THE RIGHT TEMPERATURE FOR ALL FOODS.

Their impressive technical characteristics make **Arles** counters the perfect choice for preserving a wide range of food products, both hot and cold.

Arles also comes with SMART AIR, the Arneg technology for simplifying the work of store personnel. Designed for butchery sections, the SMART AIR version maintains exactly the right temperature and humidity at all times. This allows meat to be kept in the display overnight, saving a great deal of time and effort by eliminating the need to move it to dedicated cold rooms. Meat can be kept in the display even for a number of days without it losing its organoleptic properties or visual appeal. And because its water content remains constant, the problem of weight loss is minimised too.



ARLES SMART AIR, THE IDEAL COUNTER FOR MEAT.





- Optimised furnishing costs and times
- Less work for operators
- Maximum energy efficiency

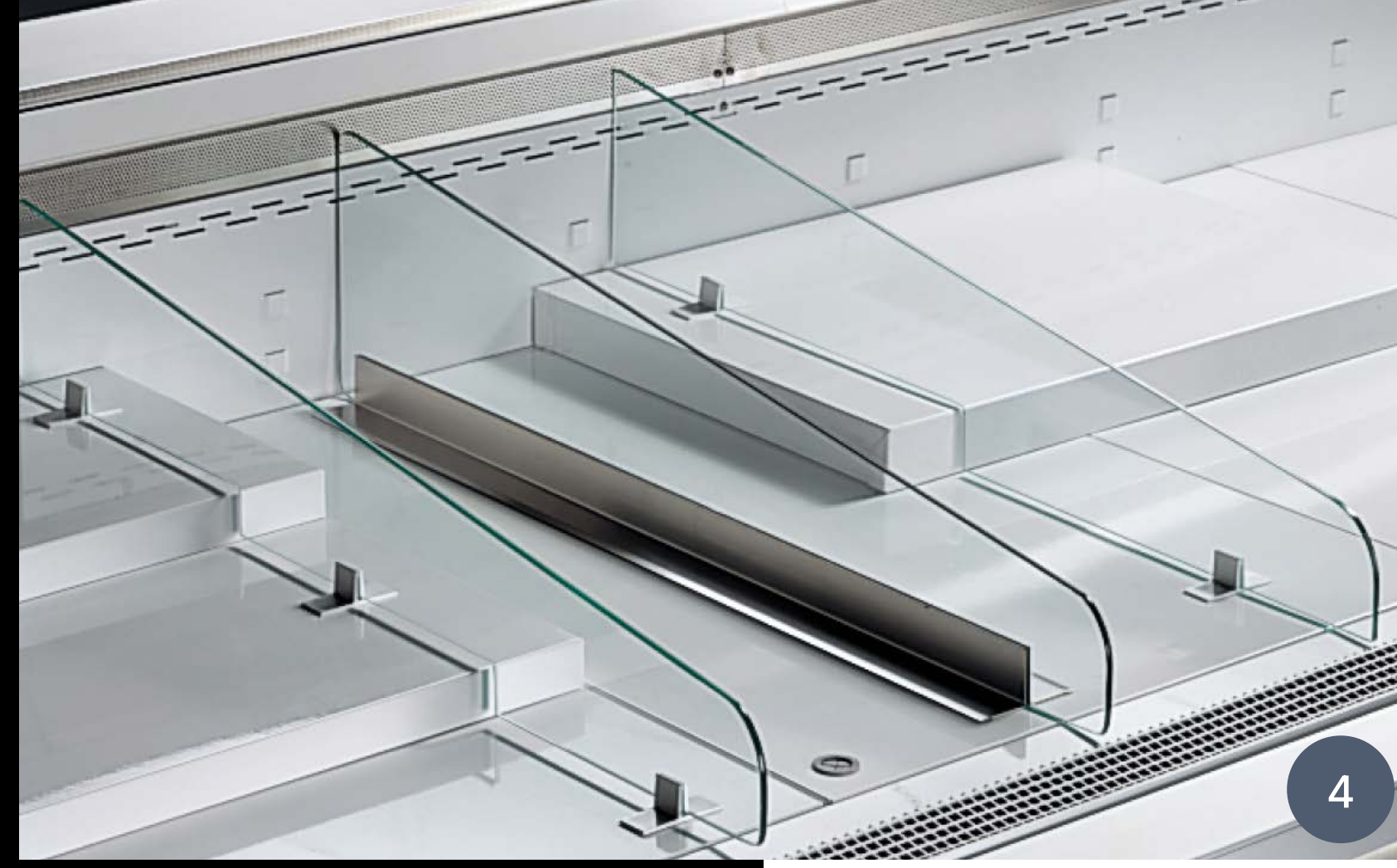


ACCESSORIES

1 - Bread grille

2 - Paper holder





3 - 3-step stainless-steel tray

4 - Glass basin partitions

5 - 2-step stainless-steel tray



6 - Polythene cutting board

7 - Slicer holder

8 - Sliding polythene cutting board

9 - Bag hook





10



11



12

10 - Knife holder

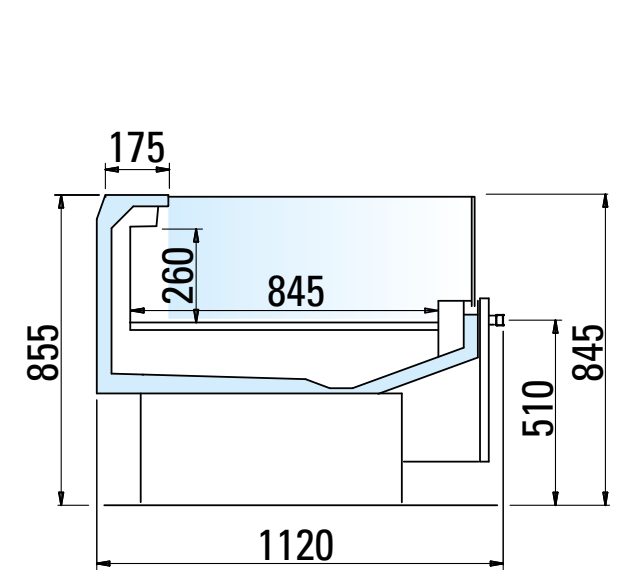
11 - Sliding stainless-steel shelf

12 - Scales holder

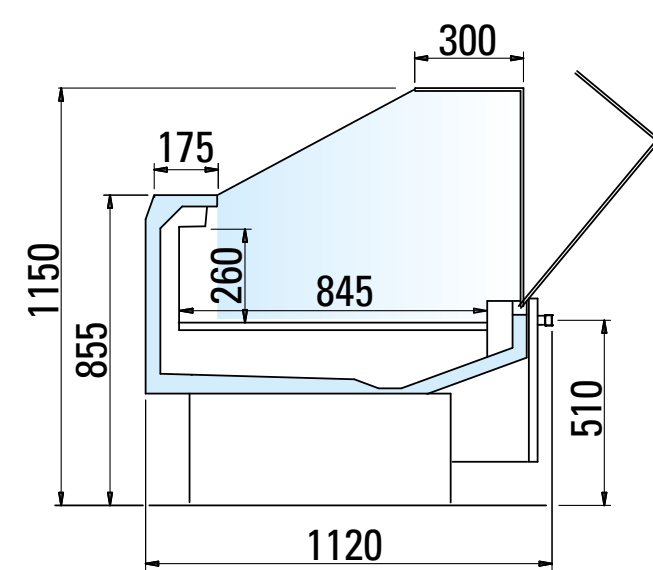
ARLES VETR TN V LINEARE R

Length without side panels (mm)		937	1250	1562	1875	2500	3125	3750
Temperature class	3M1	•	•	•	•	•	•	•
	3M2	•	•	•	•	•	•	•
Preservation temperature (°C)	0/+2	•	•	•	•	•	•	•
	+2/+4	•	•	•	•	•	•	•
Horizontal display area* (m ²)		0,79	1,06	1,32	1,58	2,11	2,64	3,17
Energy class**								

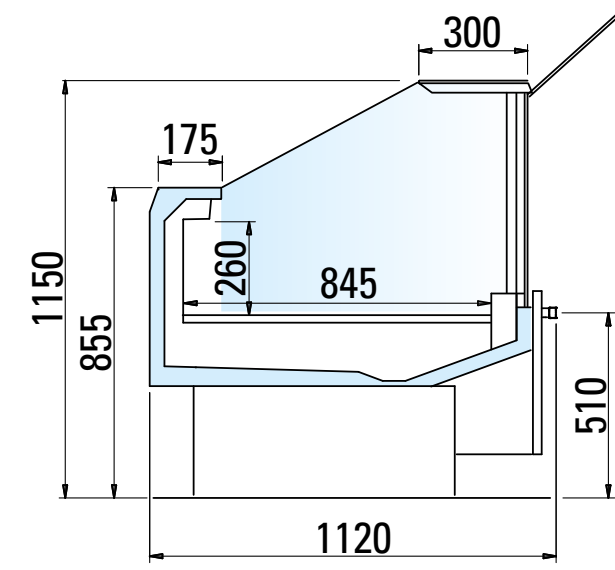
*Value referred to illustrated configurations. **The energy class may vary depending on the product configuration.



SELF 84





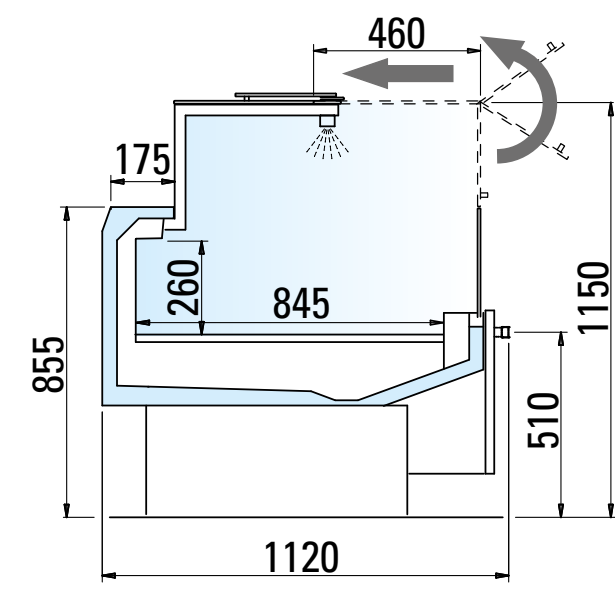
VDB 84



VDA 84

ARLES VETR TN V LINEARE R TOPSELF

Length without side panels (mm)		937		1250
Temperature class	3M1	•		•
	3M2	•		•
Preservation temperature (°C)	0/+2	•		•
	+2/+4	•		•
Horizontal display area* (m ²)		0,79		1,06
Energy class**				

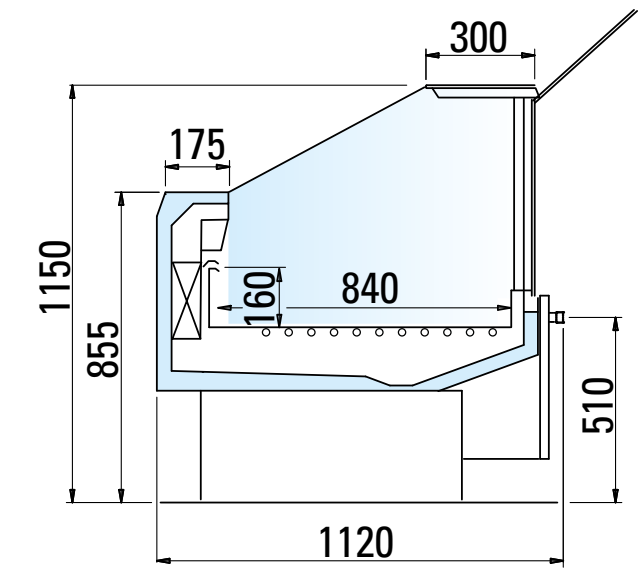


TOPSELF84

*Value referred to illustrated configurations. **The energy class may vary depending on the product configuration.

ARLES VETR TN VSA LINEARE R



Length without side panels (mm)		1875	2500	3125	3750
Temperature class	3M1	•	•	•	•
Preservation temperature (°C)	0/+2	•	•	•	•
Horizontal display area* (m ²)		1,58	2,10	2,63	3,15



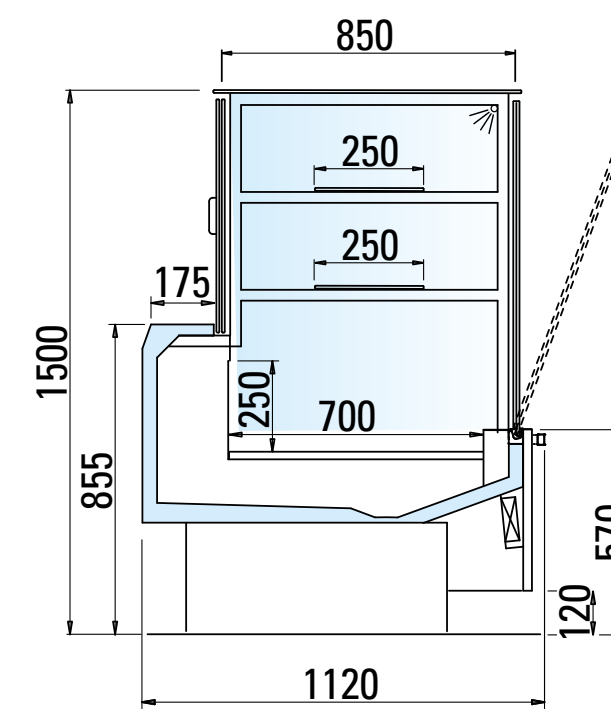
VD 84

Model not subject to energy labelling.

ARLES VETR TN V LINEARE R TH

Length without side panels (mm)		937		1250
Temperature class	3M1	•		•
	3M2	•		•
Preservation temperature (°C)	0/+2	•		•
	+2/+4	•		•
Horizontal display area* (m ²)		1,13		1,5
Energy class**				

*Value referred to illustrated configurations. **The energy class may vary depending on the product configuration.

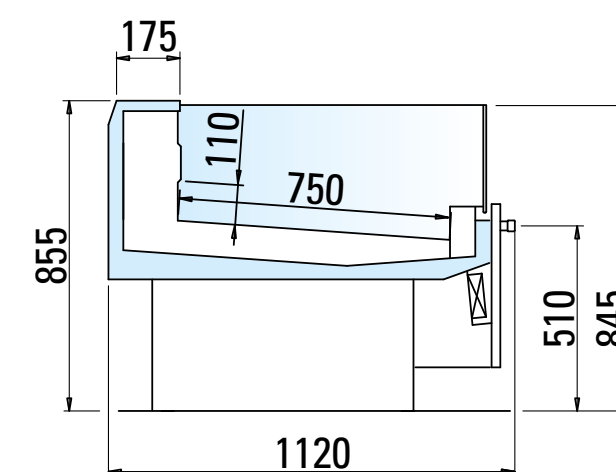


TH 84

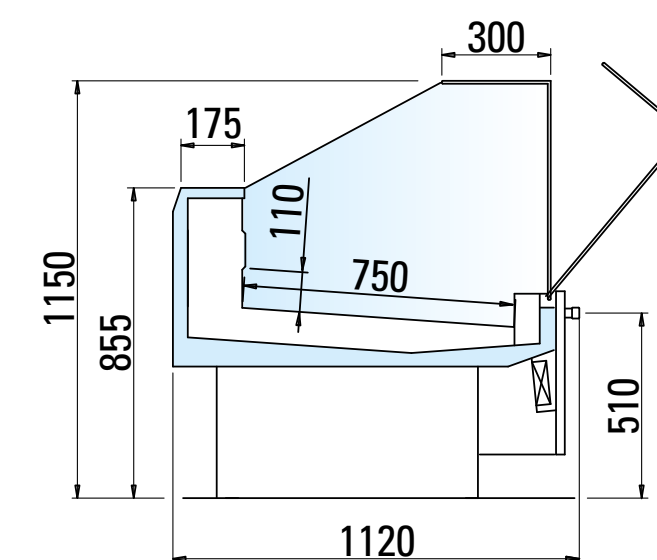
ARLES VETR-FH TN S LINEARE R

Length without side panels (mm)		1250	1875	2500	3750
Temperature class	3M1	•	•	•	•
Preservation temperature (°C)	0/+2	•	•	•	•
Horizontal display area* (m ²)		0,94	1,41	1,87	2,81

Model not subject to energy labelling.



SELF 83

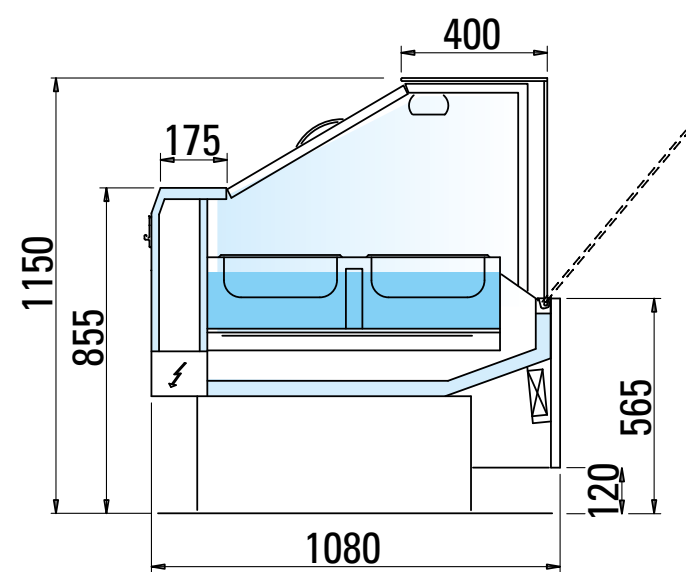


VDB 83

ARLES VETR-BM TC LINEARE

Length without side panels (mm)		937	1250
Preservation temperature (°C)	+65	•	•
Horizontal display area* (m ²)		0,54	0,76

Model not subject to energy labelling.

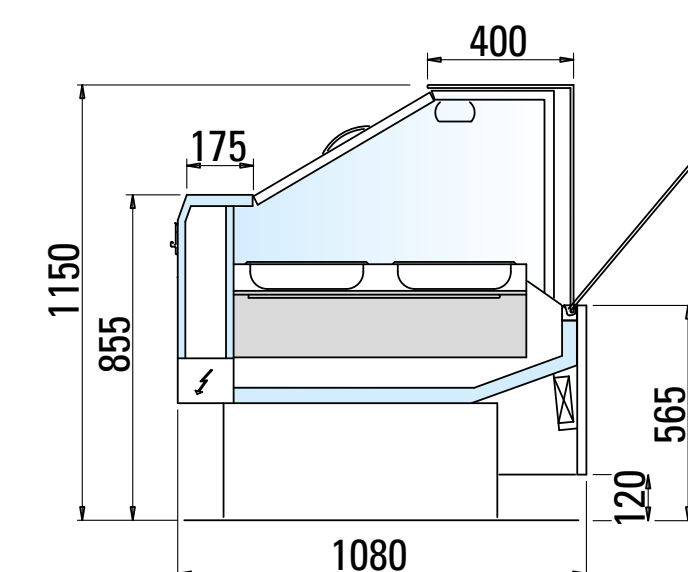


VDB 77

ARLES VETR-PW TC LINEARE

Length without side panels (mm)		937	1250
Preservation temperature (°C)	+65	•	•
Horizontal display area* (m ²)		0,54	0,76

Model not subject to energy labelling.

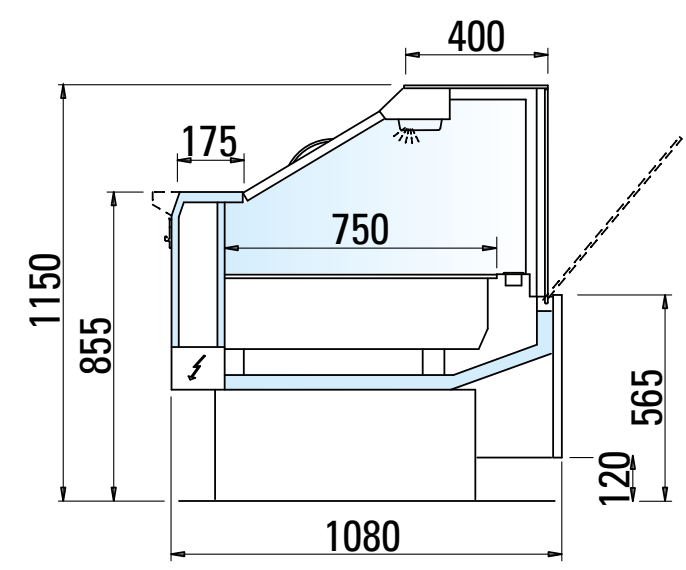


VDB 77

ARLES VETR-OM TC LINEARE

Length without side panels (mm)		937	1250
Preservation temperature (°C)	+65	•	•
Horizontal display area* (m ²)		0,54	0,76

Model not subject to energy labelling.

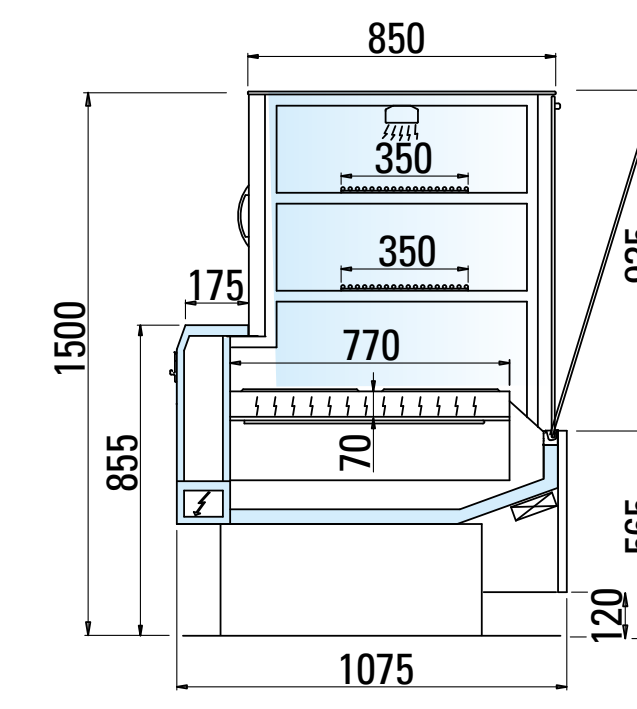


VDB 77

ARLES VETR-PW TC LINEARE TH

Length without side panels (mm)		937	1250
Preservation temperature (°C)	+65	•	•
Horizontal display area* (m ²)		1,25	1,71

Model not subject to energy labelling.

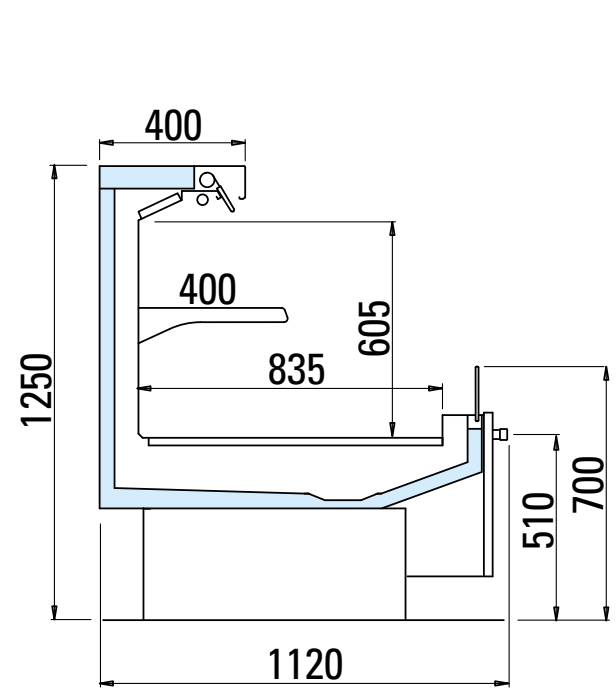


TH 77

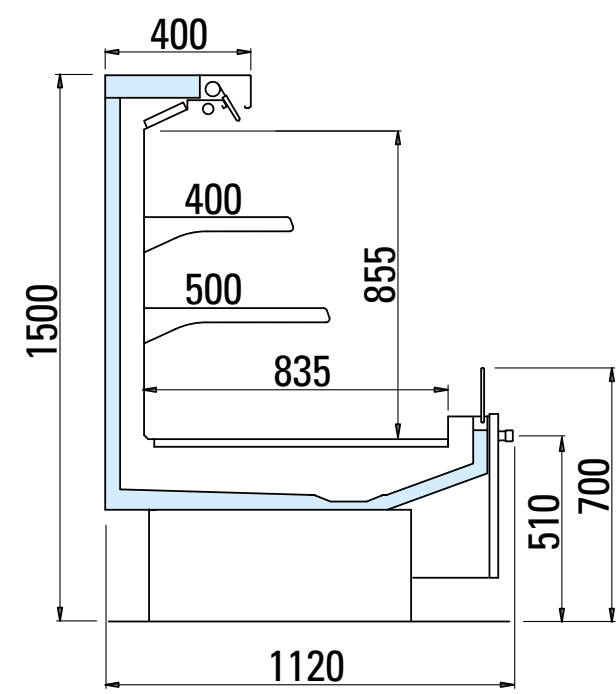
ARLES SVT-A-1 TN V LINEARE R

Length without side panels (mm)		937		1250		1875		2500		3125		3750	
Altezza (cm)		125	150	125	150	125	150	125	150	125	150	125	150
Temperature class	3M1	•	•	•	•	•	•	•	•	•	•	•	•
	3M2	•	•	•	•	•	•	•	•	•	•	•	•
Preservation temperature (°C)	0/+2	•	•	•	•	•	•	•	•	•	•	•	•
	+2/+4	•	•	•	•	•	•	•	•	•	•	•	•
Horizontal display area* (m ²)		1,16	1,63	1,54	2,17	2,32	3,25	3,09	4,34	3,86	5,43	4,63	6,51
Energy class**		A↑G E		A↑G E		A↑G E		A↑G E		A↑G E		A↑G E	

*Value referred to illustrated configurations. **The energy class may vary depending on the product configuration.



83 H125



83 H150

ED. 03 - 24/03/2025

arneg

Your Global Partner for Retail Solutions



www.arneg.com

Arneg follows a policy of continuous improvement and reserves the right to update this document at any time without prior notice.