

ISLAND AND HORIZONTAL



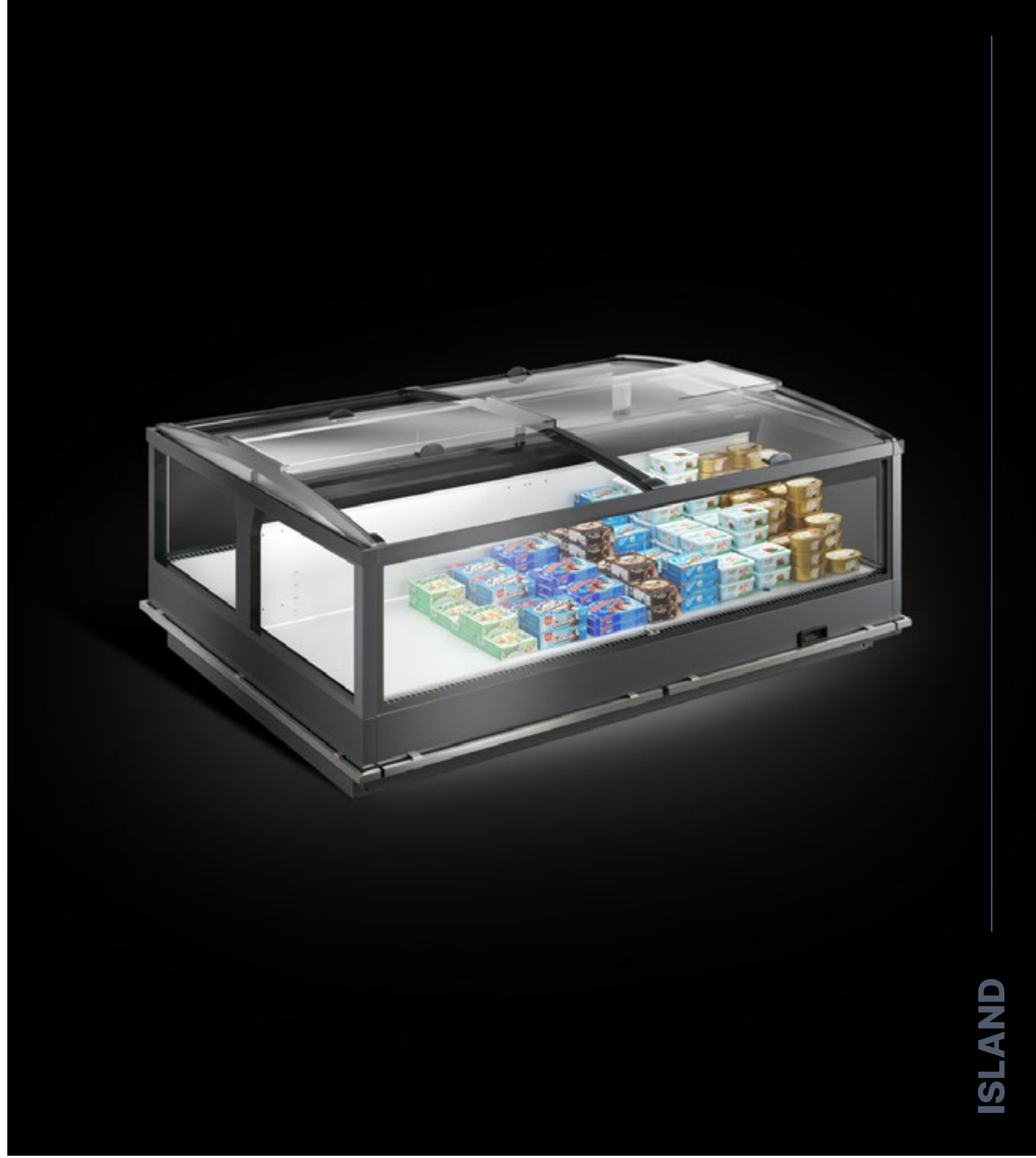
# AMBURGO



A  
R  
N  
E  
G

# THE LOOK OF EFFICIENCY.

The **Amburgo** range of closed islands and wall cabinets takes refrigeration to a new level of performance in terms of efficiency and product presentation. Minimalist design, high load capacity, reduced consumption, modularity and customisation: the **Amburgo** range preserves product quality and improves the shopping experience.



Double basin models are available with a **single evaporator for both basins**, a solution that increases load capacity and makes maintenance easier and faster.

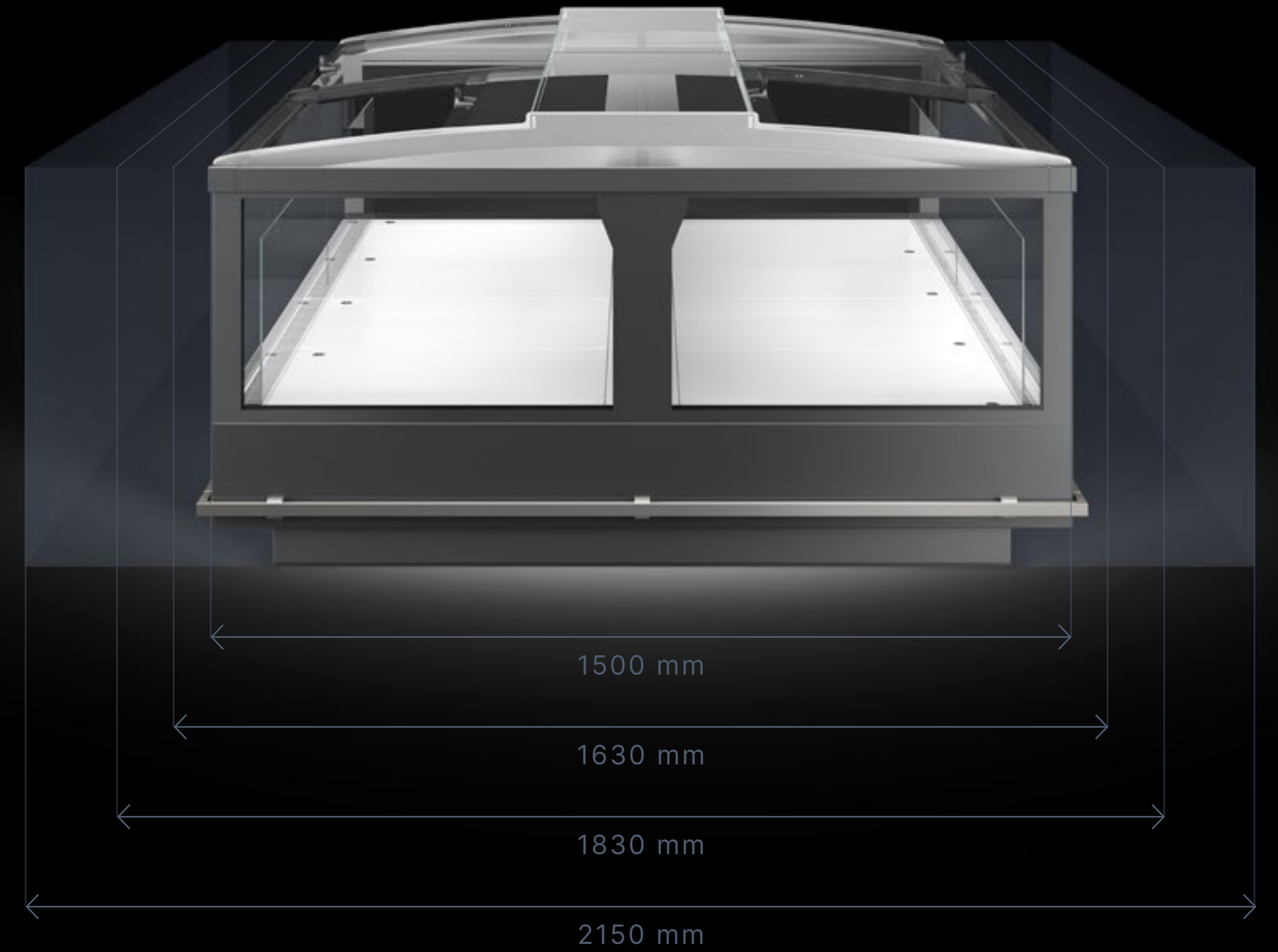




Innovative technical solutions like the introduction of glass support **profiles in PVC** and thicker internal foam ensure **perfect thermal insulation** under all conditions and prevent the formation of condensation. **Less waste and constant operating temperature** mean greater savings.

# THE PERFECT CLIMATE

- **Modern, minimalist design**
- **No joints between the glass**
- **Excellent product display**
- **High load capacity**
- **Small footprint**



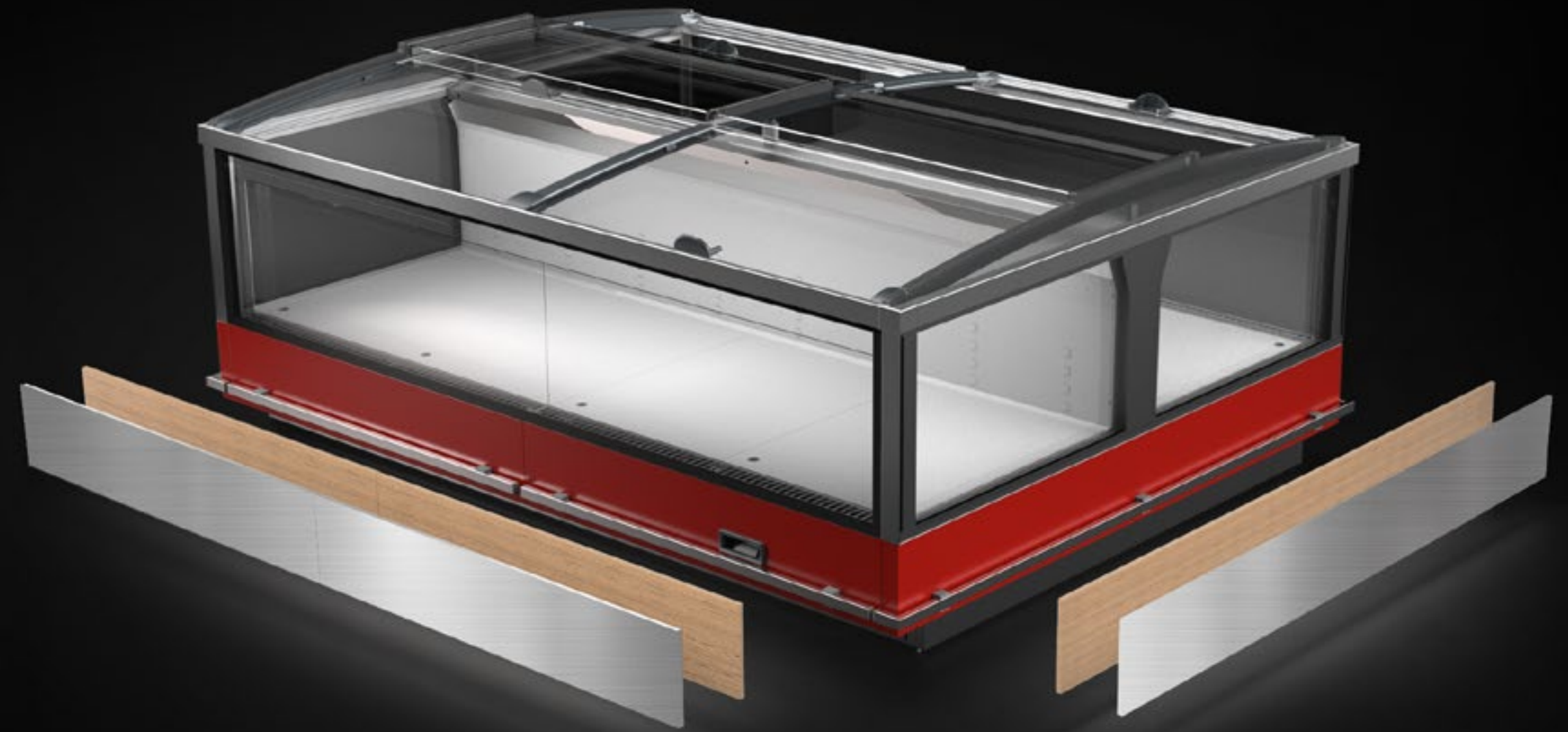
# CUSTOM COMBINATIONS.



**Amburgo** islands and wall cabinets stand out for their impressive modularity and flexibility thanks to a **wide range of sizes and the availability of multiple combinations**, even with end units. **Amburgo** can satisfy all your store's needs.

Matching style is guaranteed  
by a variety of customisations:

- laminates
- stainless steel
- paint finishes







# ACCESSORIES

1 - Wire basin partitions

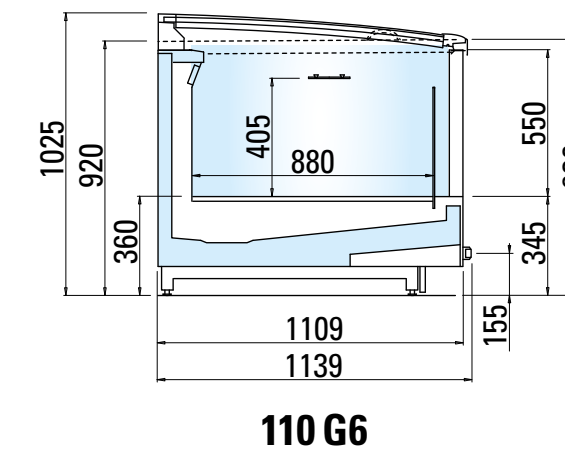
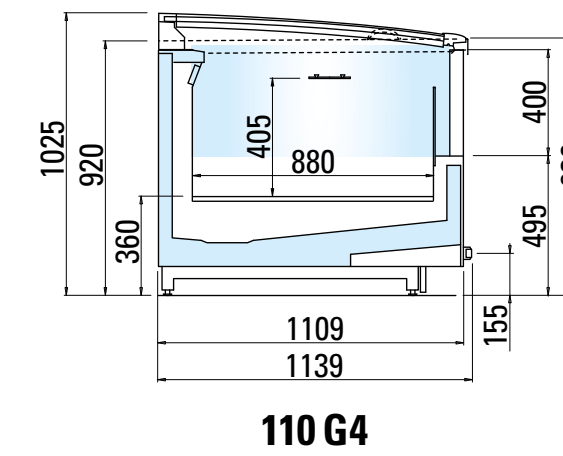
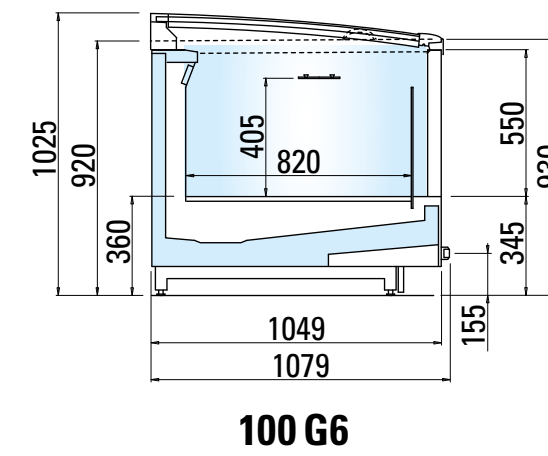
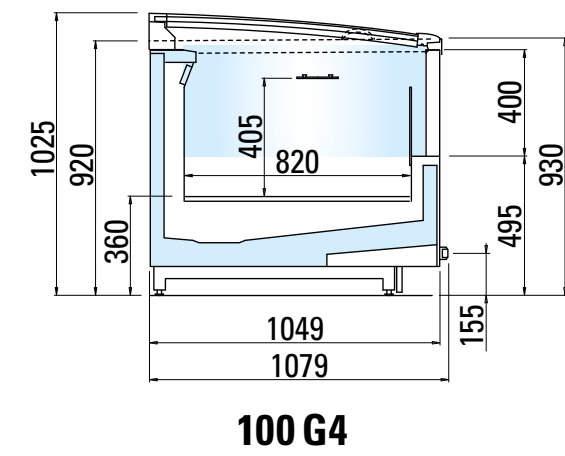
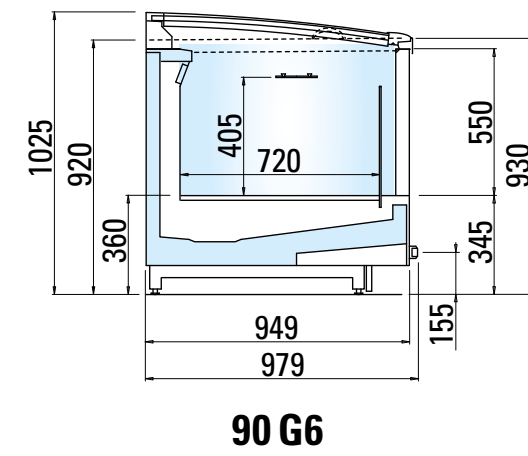
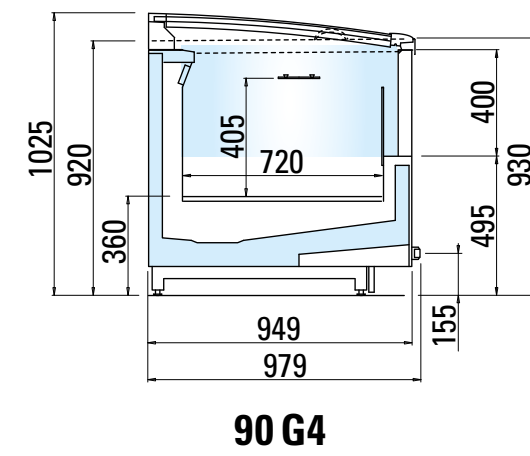
2 - Bottom grilles



AMBURGO IMO-C BT V LINEARE R

Length without side panels (mm)		1875		2500		3750	
Height of glass front (cm)		G4	G6	G4	G6	G4	G6
Temperature class	3L1	•	•	•	•	•	•
Preservation temperature (°C)	-22/-25	•	•	•	•	•	•
Horizontal display area* (m <sup>2</sup> )	Depth 90	1.35		1.8		2.7	
	100	1.54		2.05		3.08	
	110	1.65		2.2		3.3	
Energy class**	Depth 90-100	E		E		E	
	-110	E		E		E	

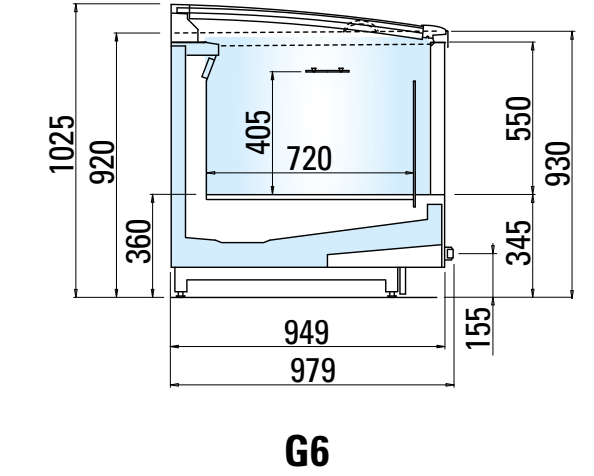
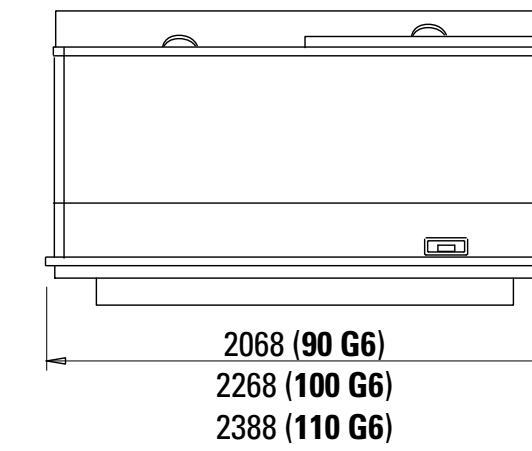
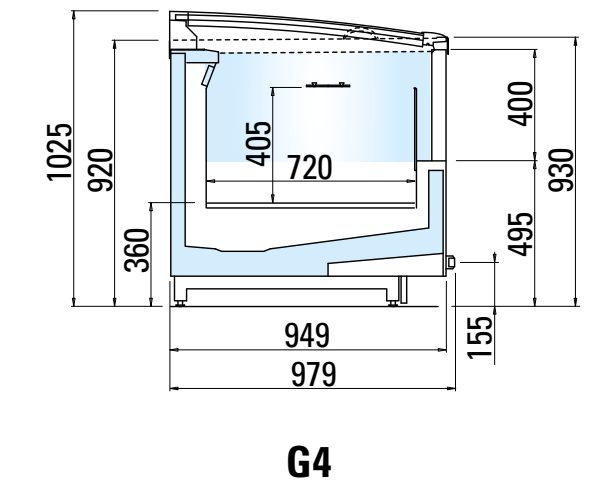
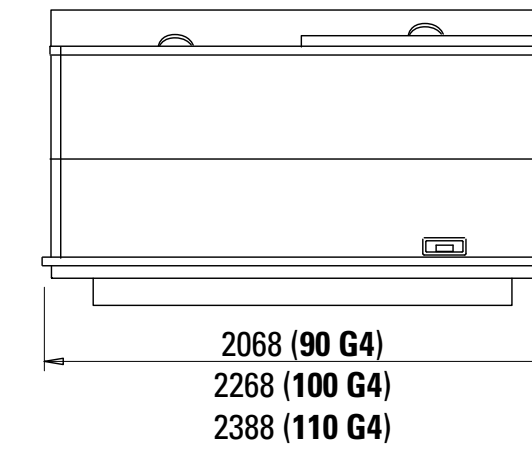
\*Value referred to illustrated configurations.\*\*The energy class may vary depending on the product configuration.



AMBURGO IMO-C BT V TESTATA R

Overall length (mm)		<b>2068</b>		<b>2268</b>		<b>2388</b>	
Height of glass front (cm)		<b>G4</b>	<b>G6</b>	<b>G4</b>	<b>G6</b>	<b>G4</b>	<b>G6</b>
Temperature class	3L1	•		•		•	
Preservation temperature (°C)	-22/-25	•		•		•	
Horizontal display area* (m <sup>2</sup> )		1.37		1.51		1.6	
Energy class**		A+G <b>E</b>		A+G <b>E</b>		A+G <b>E</b>	

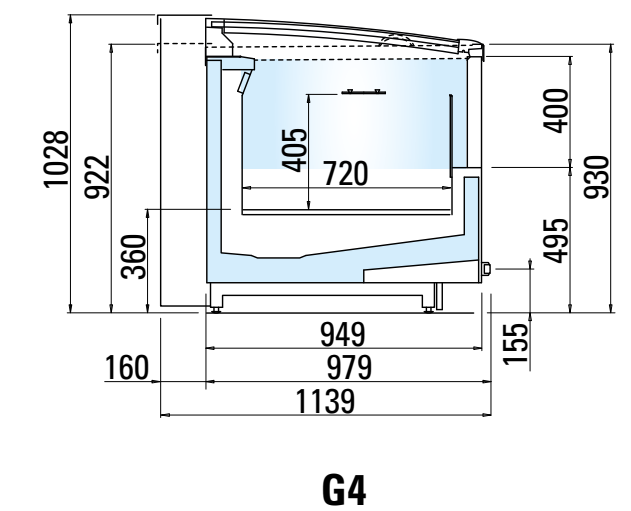
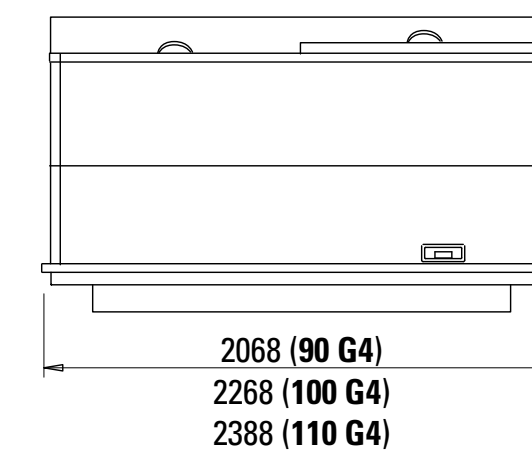
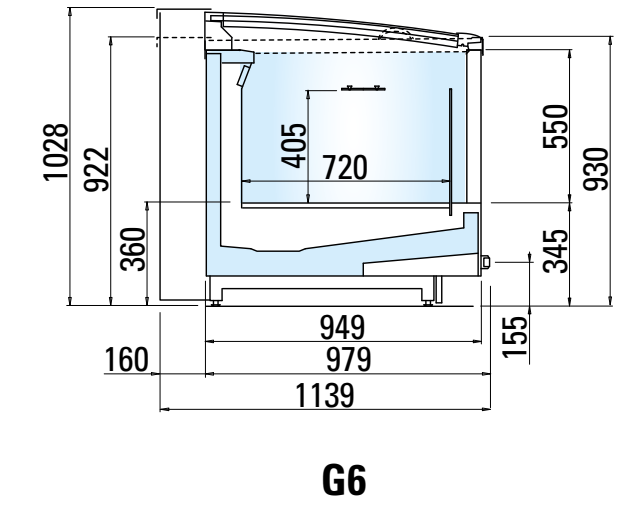
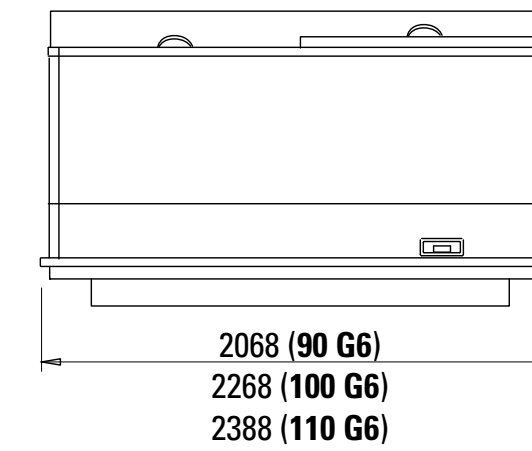
\*Value referred to illustrated configurations. \*\*The energy class may vary depending on the product configuration.



AMBURGO IMO-C BT V TESTATA R TA

Overall length (mm)		<b>2068</b>		<b>2268</b>		<b>2388</b>	
Height of glass front (cm)		<b>G4</b>	<b>G6</b>	<b>G4</b>	<b>G6</b>	<b>G4</b>	<b>G6</b>
Temperature class	3L1	•		•		•	
Preservation temperature (°C)	-22/-25	•		•		•	
Horizontal display area* (m <sup>2</sup> )		1.37		1.51		1.6	
Energy class**		A+G <b>E</b>		A+G <b>E</b>		A+G <b>E</b>	

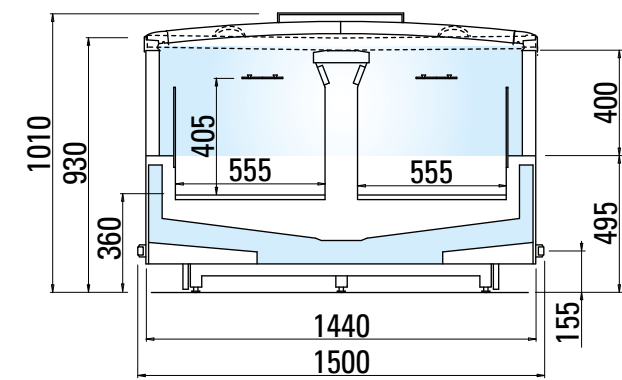
\*Value referred to illustrated configurations. \*\*The energy class may vary depending on the product configuration.



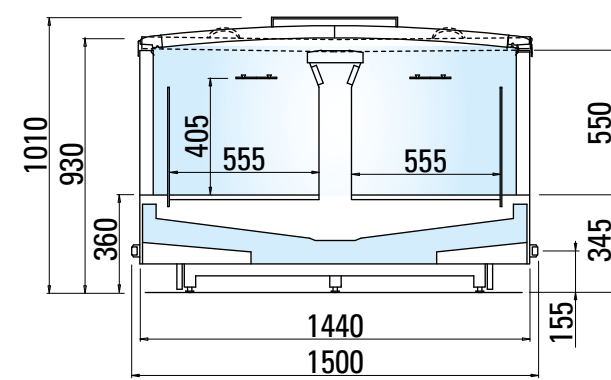
# AMBURGO ISL-C-2 BT V1E LINEARE R

Length without side panels (mm)	1875		2500		3750		
Height of glass front (cm)	G4	G6	G4	G6	G4	G6	
Temperature class	3L1	•	•	•	•	•	
Preservation temperature (°C)	-22/-25	•	•	•	•	•	
Horizontal display area* (m <sup>2</sup> )	Depth	140	2.06	2.75	4.13		
		160	2.33	3.1	4.65		
		180	2.7	3.6	5.4		
		200	3.08	4.1	6.15		
		210	3.3	4.4	6.6		
Energy class**	Depth	140-160	E	E	E		
		-180-200					
		-210					

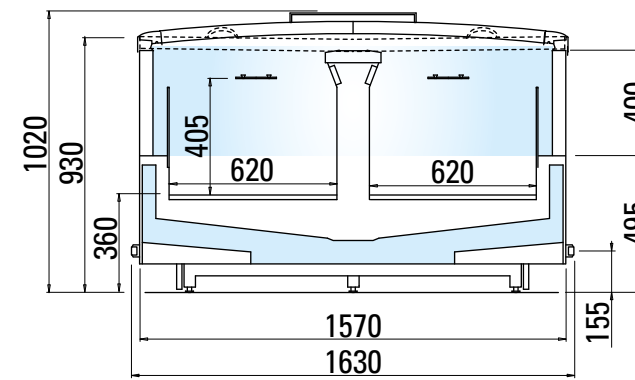
\*Value referred to illustrated configurations. \*\*The energy class may vary depending on the product configuration.



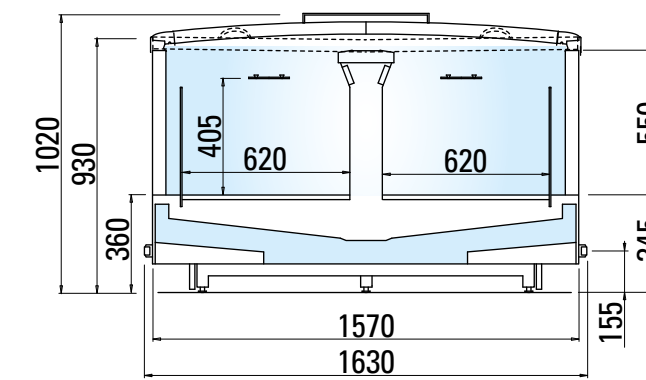
140 G4



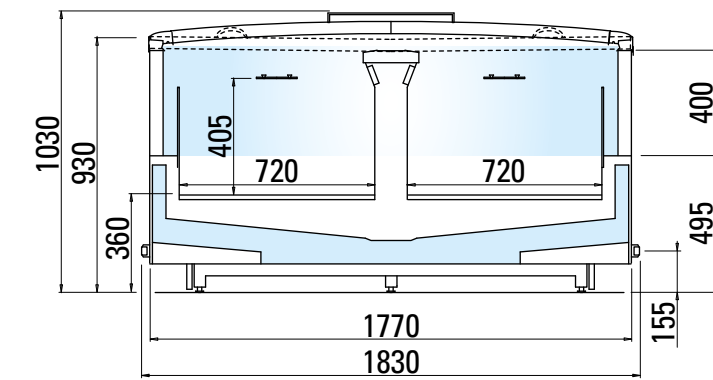
140 G6



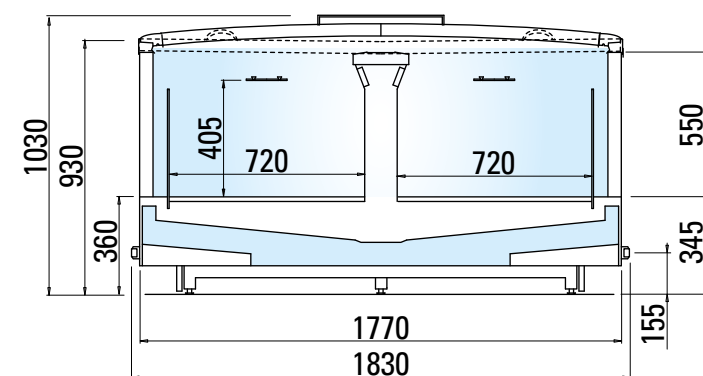
160 G4



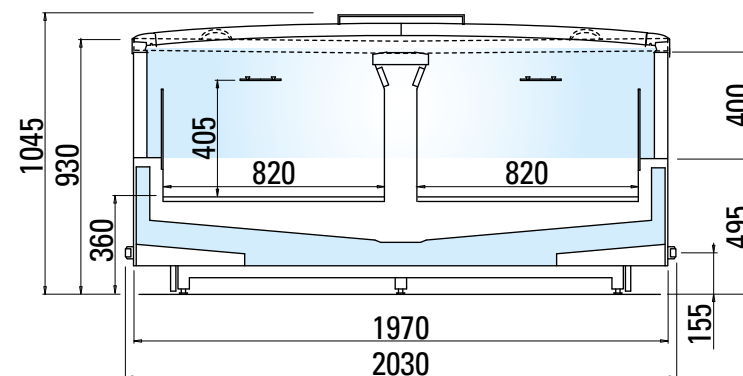
160 G6



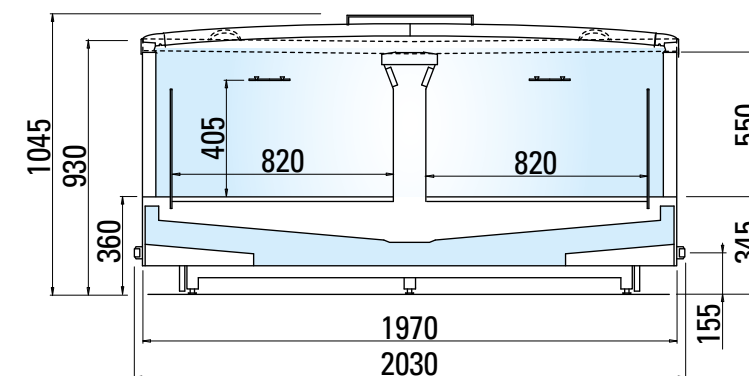
180 G4



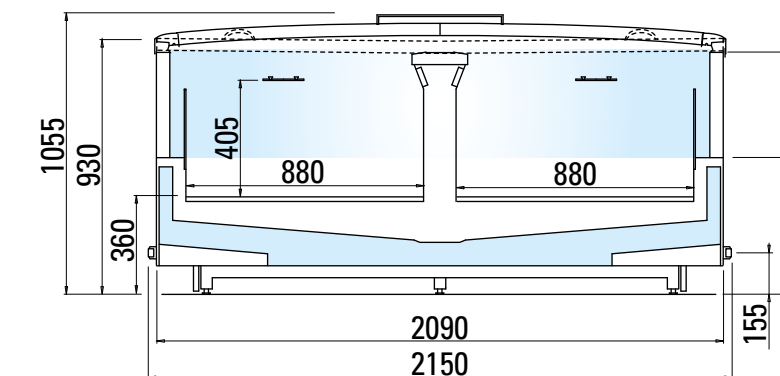
180 G6



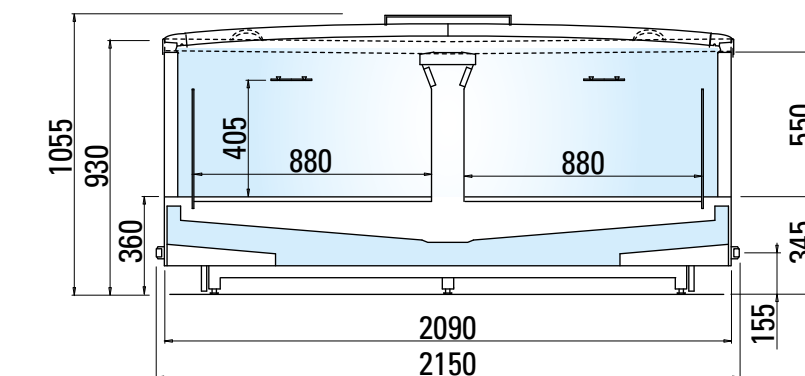
200 G4



200 G6



210 G4

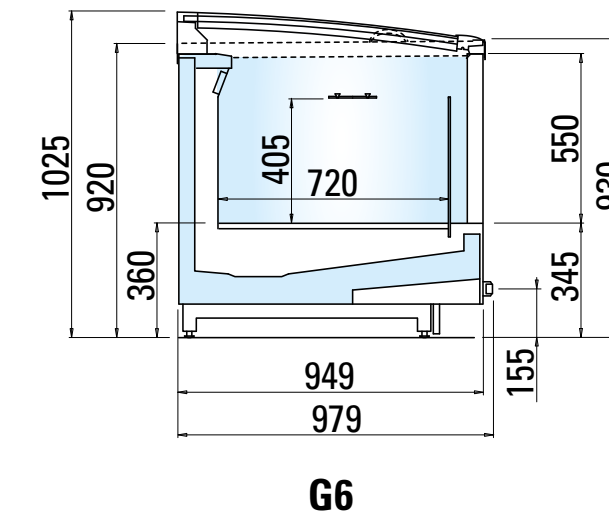
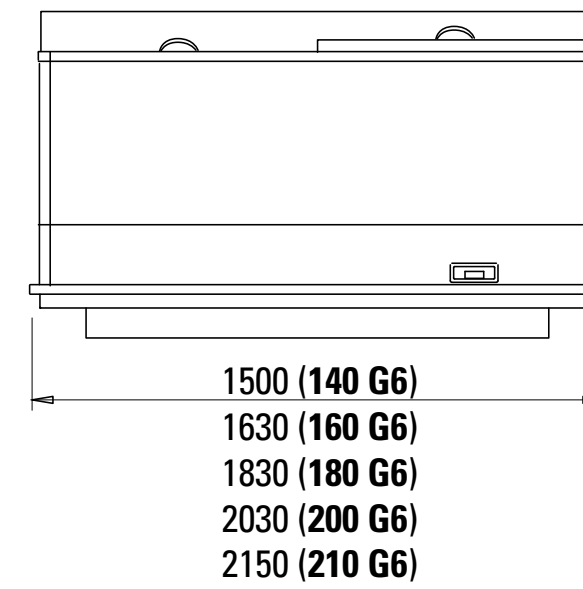
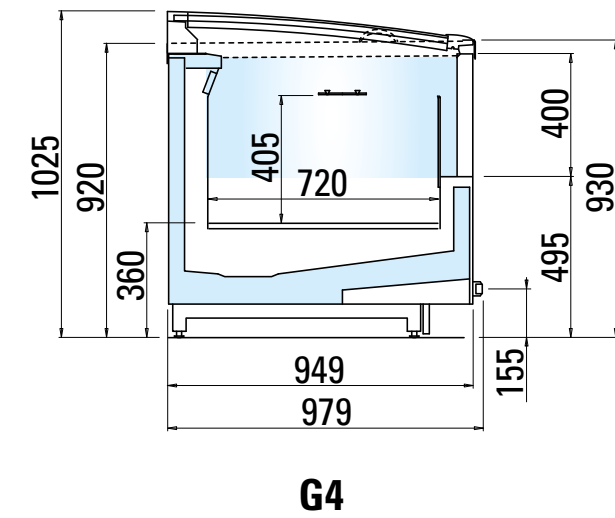
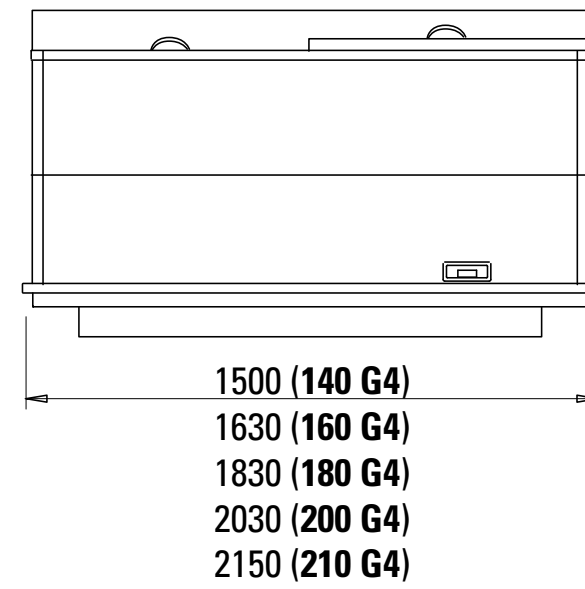


210 G6

AMBURGO ISL-C-2 BT V1E TESTATA R

Overall length (mm)		<b>1500</b>		<b>1630</b>		<b>1830</b>		<b>2030</b>		<b>2150</b>	
Height of glass front (cm)		<b>G4</b>	<b>G6</b>	<b>G4</b>	<b>G6</b>	<b>G4</b>	<b>G6</b>	<b>G4</b>	<b>G6</b>	<b>G4</b>	<b>G6</b>
Temperature class	3L1	•		•		•		•		•	
Preservation temperature (°C)	-22/-25	•		•		•		•		•	
Horizontal display area* (m <sup>2</sup> )		0.96		1.05		1.2		1.34		1.43	
Energy class**		A+ G <b>E</b>		A+ G <b>E</b>		A+ G <b>E</b>		A+ G <b>E</b>		A+ G <b>E</b>	

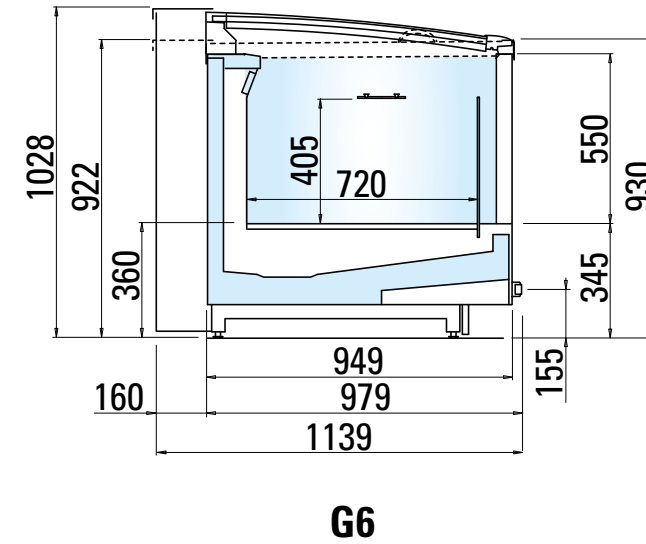
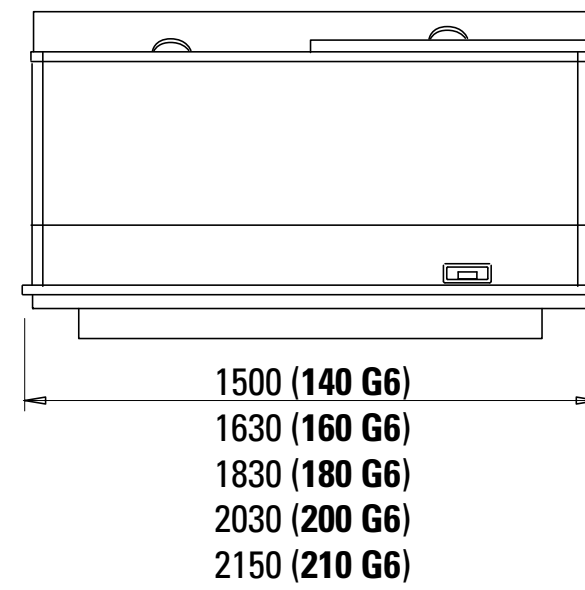
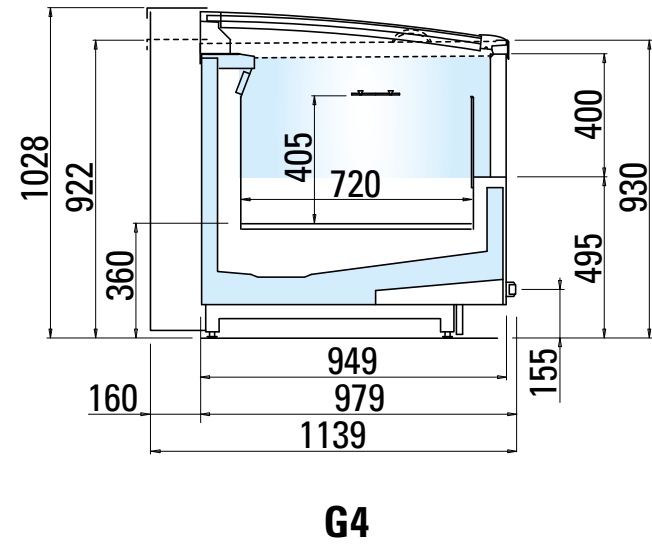
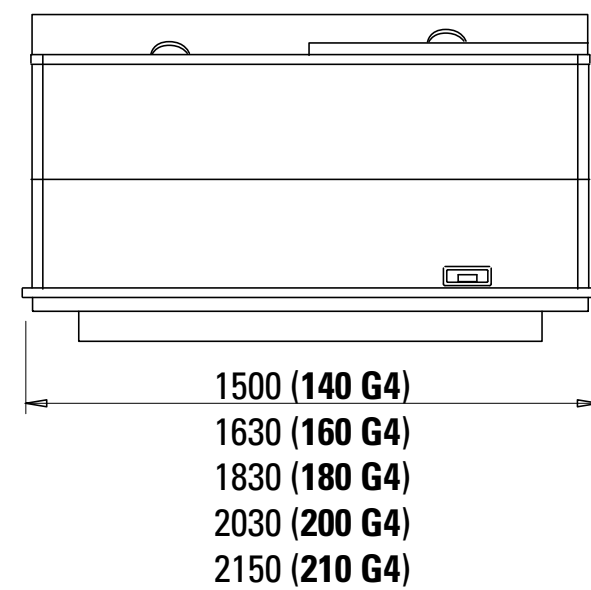
\*Value referred to illustrated configurations. \*\*The energy class may vary depending on the product configuration.



AMBURGO ISL-C-2 BT V1E TESTATA R TA

Overall length (mm)		<b>1500</b>		<b>1630</b>		<b>1830</b>		<b>2030</b>		<b>2150</b>	
Height of glass front (cm)		<b>G4</b>	<b>G6</b>	<b>G4</b>	<b>G6</b>	<b>G4</b>	<b>G6</b>	<b>G4</b>	<b>G6</b>	<b>G4</b>	<b>G6</b>
Temperature class	3L1	•		•		•		•		•	
Preservation temperature (°C)	-22/-25	•		•		•		•		•	
Horizontal display area* (m <sup>2</sup> )		0.96		1.05		1.2		1.34		1.43	
Energy class**		A G E		A G E		A G E		A G E		A G E	

\*Value referred to illustrated configurations. \*\*The energy class may vary depending on the product configuration.



ED. 00 - 30/11/2022

**arneg**<sup>®</sup>

[WWW.ARNEG.COM](http://WWW.ARNEG.COM)



Arneg follows a policy of continuous improvement and reserves the right to update this document at any time without prior notice