

Buzon®

*Raising the world
to a higher level*



www.buzon-world.com



Product catalogue **2019-2020**

Summary



1

Discover us

The evolution of Buzon®	04-05
Mission and values	06-07
Our commitments	08-09
Technical service	10-11
Buzon® around the world	12-13
Achievements	14-15
	16-19



2

The DPH-Series

Laying on pedestals	20-21
The DPH series	22-23
Composition of the pedestal	24-25
The advantages of the DPH range	26-27
	28-29



5

Pricing and packaging

Composition of pedestals and pricing	68-69
	70-87
Packaging	88-90



6

Installation

Standard system and quantity of pedestals	92-93
	94-95
U-BRS system and quantity of joists	96-97
U-BRS WOOD System	98-99
Installation tips	100-103



The DPH accessories	30-31
Levellers and spacer tabs	32-33
Slope corrector and spirit level	34-39
Joist support	40-41
Booster	42
Protective pads	44-47
Terrace accessories	48-55



U-BRS system	56-59
Joist for pavers	60-61
U-FIX-PLATE	62-65
Joist for timber decking	66-67



Index	104-105
--------------	----------------







1

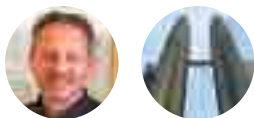
DISCOVER US

Discover us



Workshop creation from BUZON S.P.R.L (Liège, BELGIQUE)

1987



Laurent Buzon officially joins the company and sets out to conquer new markets. The pedestals will start to be installed in the biggest skyscrapers in the whole world thanks to his dynamism.

Buzon® pedestals are installed on the balconies of the PETRONAS TWIN TOWERS in Kuala Lumpur.

1996

Installation in the Hauts-Sarts industrial estate (Belgium) and incorporation of the Buzon Pedestal International company.

2002

1983

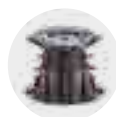
Claude Buzon launches as an independent entrepreneur selling synthetic turf.

1992

Creation of the **first adjustable Buzon® pedestal**.

1997

Creation of the **DPH-series**, the eldest of the family. Silver medal for the innovation prize at Batimat for the slope corrector integrated into the pedestal.



2008

Creation of the **BC-series**



Three decades of innovation and know-how

More than 30 years ago, Claude Buzon revolutionised the world of terrace support systems by founding the Buzon factories and its innovative pedestals for the embellishment of outdoor spaces.

He started by importing pedestals and adapted them to the constraints of the work sites. Quickly, he developed his own series of pedestals to respond to the growing needs of the market and exported them around the world.

Since then, the company has grown a lot and is now managed by Claude Buzon's children, Laure and Laurent, who do everything to perpetuate the work accomplished. The company has known a beautiful flight, and since then, no less than four generations of pedestals have been created.

This success rests on solid foundations. Since its establishment in Liège (Belgium), the family business has increased its collaborations and now has 25 partners in more than 50 countries. Trust is one of the key values of the company, and this strengthens with each mission, making sure to listen to the client, and leading each project with enthusiasm.

Every year, millions of pedestals are manufactured for projects and large-scale work sites throughout the entire world. Although Buzon® offers stability solutions, the company categorically rejects immobility. Innovation is one of the driving forces of Buzon®, which pushes the company to develop ever more adapted and efficient products.





Newly graduated from a Masters in Business Management, Laure Buzon joins the family business as Director of Finance and Human resources.

Claude Buzon on a princely mission to Mexico.

2009

2014

2016

2019



Construction of new offices and storage warehouses.

Buzon@ now has 20 employees.

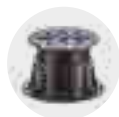
Implementation of ISO 14001

Buzon@ acquires the ISO 9001:2008 certification.

Buzon@ pedestals are installed at the base of THE SHARD in London, one of the largest skyscrapers in Europe.

2010

Creation of the **PB-series**, pedestals that perfectly meet the requirements for laying in a residential environment or commercial.



2015

Laurent and Claude Buzon on a Princely mission to Singapore.



2017

Buzon@ obtains ISO 9001:2015 certification and becomes CO2 neutral. Birth of the Buzon@ nursery in Madagascar with more than 5,000 trees planted.

Buzon@ invites its partners from the entire world, its suppliers, its clients and its team to celebrate its 30th anniversary.





“

**“Engaging
in the wishes
of our
customers”**

Who are we?

Buzon® is a dynamic team that takes care of every person who wishes to benefit from great technical expertise in the creation of their indoor living space.

What do we do?

We develop innovative products that are ergonomic and sustainable in the domain of support systems. We do this by surrounding ourselves with passionate, loyal and trustworthy partners and collaborators.

What drives us?



OUR COMPANY VALUES:



TRUST

The Buzon® story is based on the trust given to our partners and our employees, from the autonomy that we give them in each project.



QUALITY

We pay particular attention to the quality of our services, our products, the relationship that we have with each of our clients and suppliers.



ETHICS

For Buzon® ethics represent a great priority. We make sure that everyone is respected and that their opinion is considered. We are also concerned about our commitment to society. That's why we make sure that every project is performed with respect for the environment.



TEAM SPIRIT

Our family business promotes team spirit and solidarity. It is thanks to this collaboration and the constant support of each of our collaborators that we are always able to meet new challenges.



MADE IN
EUROPE



100% MADE IN EUROPE

All our products are created, designated and manufactured in Europe. Our research and development department is working hard to provide our customers with excellence in terrace support.



QUALITY COMMITMENT

The quality of our products and your satisfaction are our highest priorities. In this regard, Buzon® has been ISO 9001:2008 certified since 2015 and ISO 9001:2015 since 2017. This certification assures you of constant improvement in the quality of our products and services.



ENVIRONMENTAL COMMITMENT

Concerned about climate change, the company pays special attention to the environment by using recycled raw materials and providing 100% recyclable products.

We also want to reduce our greenhouse gas emissions. Indeed, it is no longer enough to simply measure and control your energy consumption. Today, it is essential to put a real strategy in place within the heart of our company to reduce our carbon emissions.

In collaboration with the **Graine de vie** non-profit organisation, we decided to calculate our ecological footprint, reduce it, and offset it by planting trees in Madagascar. Today, we are therefore proud to be able to display a **CO2-neutral balance sheet**.



043-055-1351
Made From Min. 50%
Recycled Content



“

“Our mission? To help you in the realisation of your projects”



Technical service

As well as offering a complete series of pedestals and terrace accessories, we offer personalised service in terms of technical support and assistance. We accompany our clients in the technical realisation of their projects. On request, Buzon® assists with the layout of the pavers, calculating the number of pedestals, the composition of the support systems and installation arrangements.



BUZON® CALCULATOR



The secret of a perfect terrace on pedestals lies in the preparation. In this regard, Buzon® has developed a simple and fast application to help you with the implementation of your terrace on pedestals.

The Buzon® “calculator”, which you can use after you register, determines the number of pedestals to be used and, above all, their position and height depending on the configuration of the project.

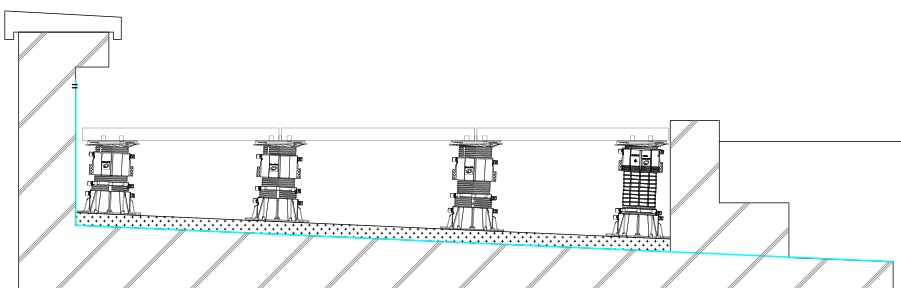
Whatever the size of the pavers and the terraces, whatever the slopes to be overcome, the “calculator” offers a real-time solution, making it easier to do the work.

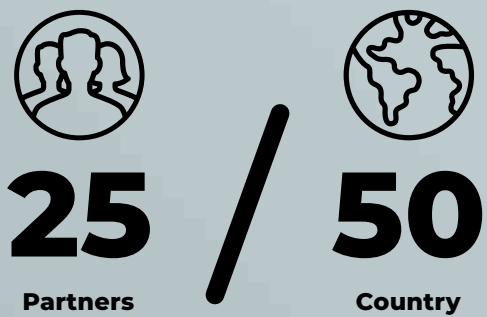
We advise the use of our pedestal calculator for more details.
Go to: www.buzon-calculator-dph.com





“Technical study”





Our partners around the world

Buzon® wouldn't be the company it is today without its network of distributors around the world. We collaborate daily with more than 25 partners present on all continents. Buzon® proves its excellence through its products and distributor network to help develop designs for large scale projects.

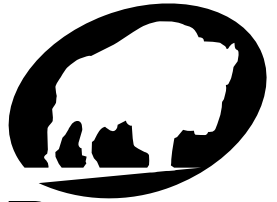
Head office (BE)

Buzon UK

Buzon South Europe (IT)

Buzon Asia (SG)

Buzon Australia (AU)



Buzon[®]



MARINA BAY SANDS
Singapore

ONE WORLD TRADE CENTER
New York / USA





**“Buzon around
the world”**



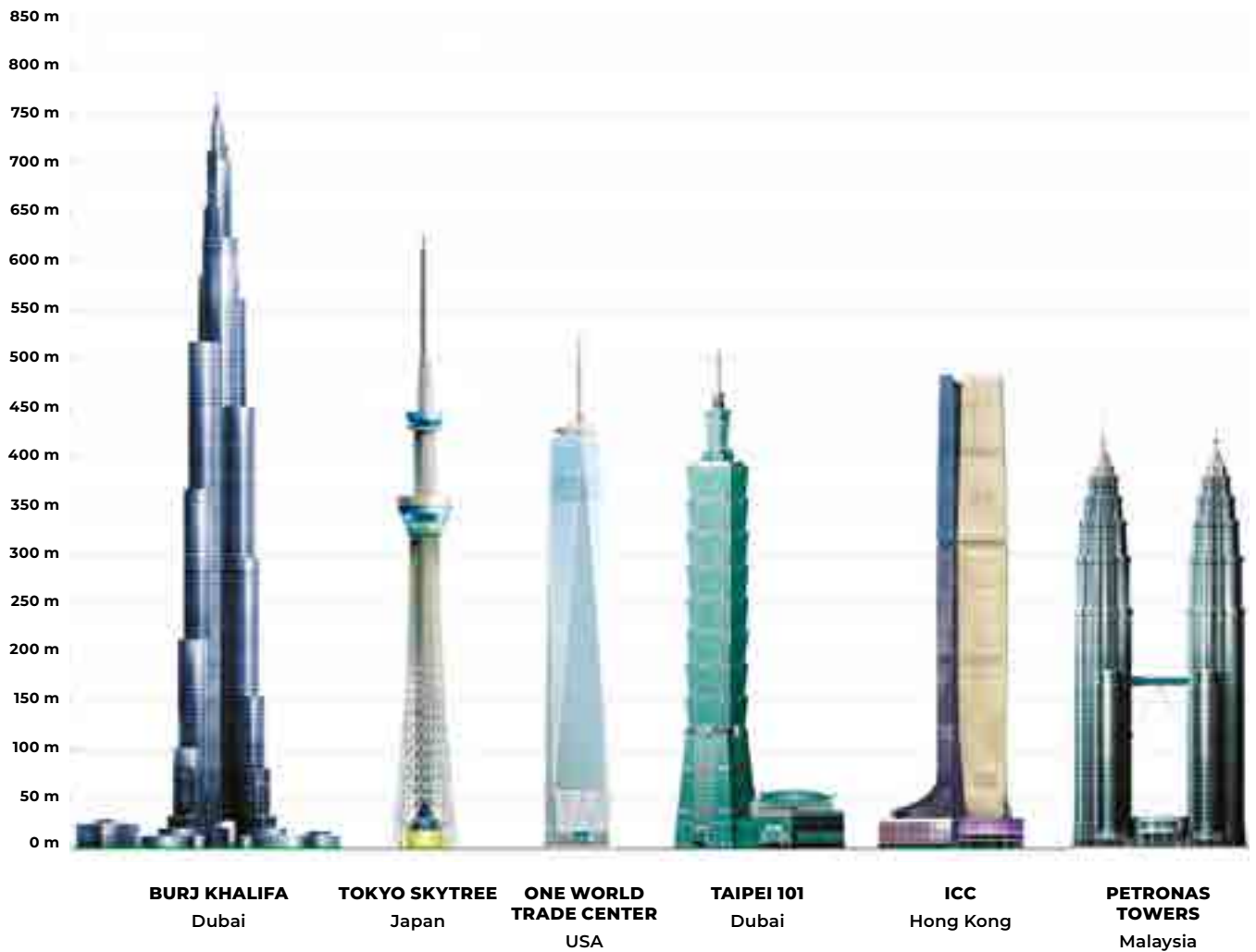
BURJ KHALIFA
Dubai/UAE

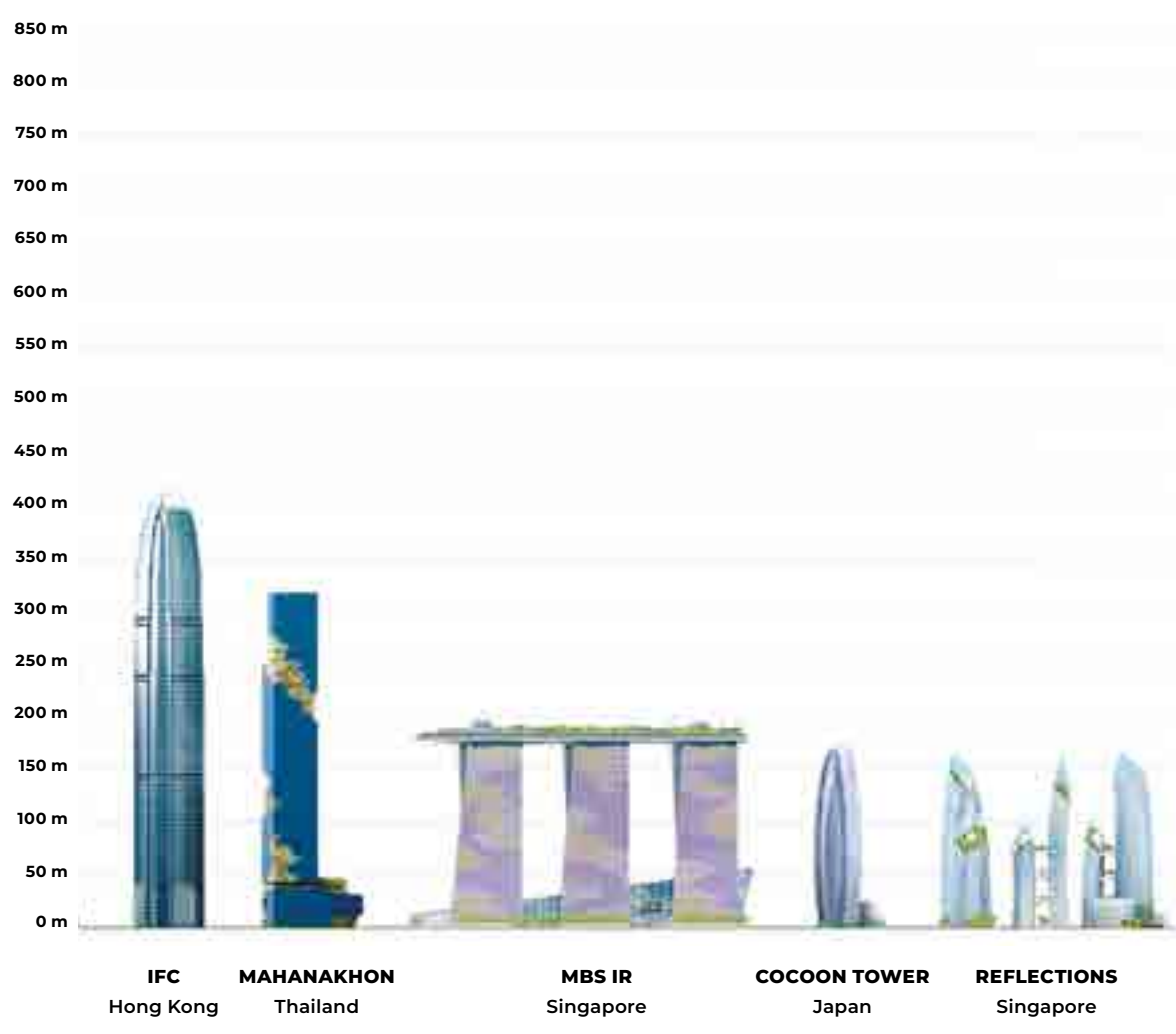
PETRONAS TOWERS
Kuala Lumpur/Malaysia



Iconic projects

Throughout its history, Buzon® has collaborated on various large projects. In this way, you will find Buzon® pedestals on the tallest skyscrapers.









2

DPH SERIES

DPH-Series

The strong and hard-wearing **DPH pedestal** is the eldest member of the Buzon® pedestal family. With their adjustable height of **18 to 1070 mm**, adjustment ring and PH5 integrated slope corrector (up to 5%), they are the ideal support for use in public spaces or on major construction projects.

The DPH pedestal maintains its strength and stability even under heavy and frequent use. Thanks to its reinforced structure, it is particularly recommended for use with heavier floor coverings such as large-format concrete slabs.

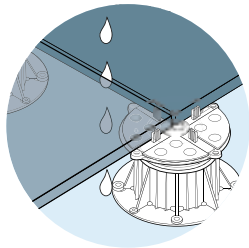
Laying on pedestals

Creating a terrace in a conventional manner is not always easy. Expansion of the joints, water runoff, control of slopes, etc. All these problems strongly compromise the durability of the terrace. It's in this context that laying on pedestals quickly became a requirement, responding to all the constraints encountered on the sites.

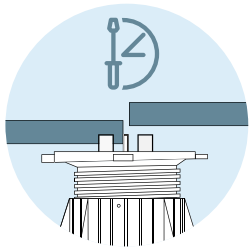
With professional queries, Buzon® was able to respond to market expectations and develop solutions and products for all types of projects. Residential terraces, flat roof terraces, garden landscaping, fountain terraces, podiums, marquees, technical floors for industrial applications, etc... Buzon® offers solutions for each project.



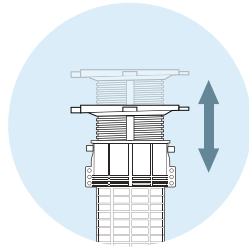
ADVANTAGES:



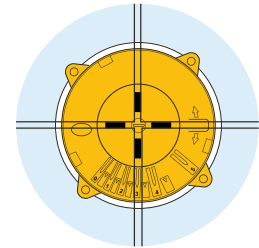
Presence of open joints avoiding all risks of cracking compared to closed joints. Water runoff and drainage is made easier.



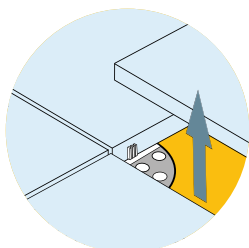
Quick and easy installation



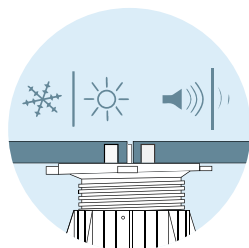
Pedestals adjustable from 18 to 1070 mm



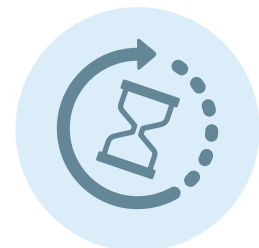
High stability due to a large head of the pedestal



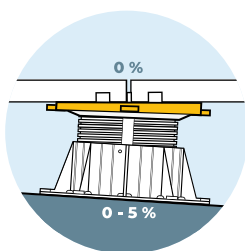
Easy access to the waterproofing membrane or substructure



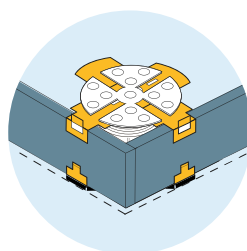
Better thermal and acoustic insulation



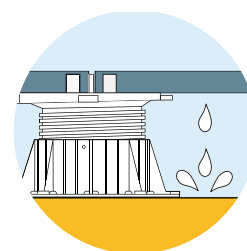
Sustainable solution



Easy and precise slope correction up to 5%



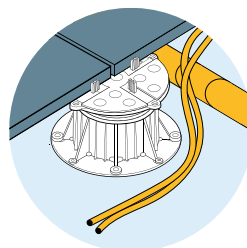
A broad series of accessories for the terrace finish



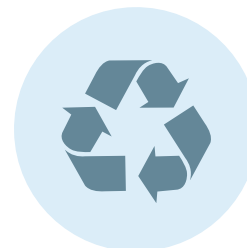
Protection of the waterproofing membrane



A system supporting heavy loads



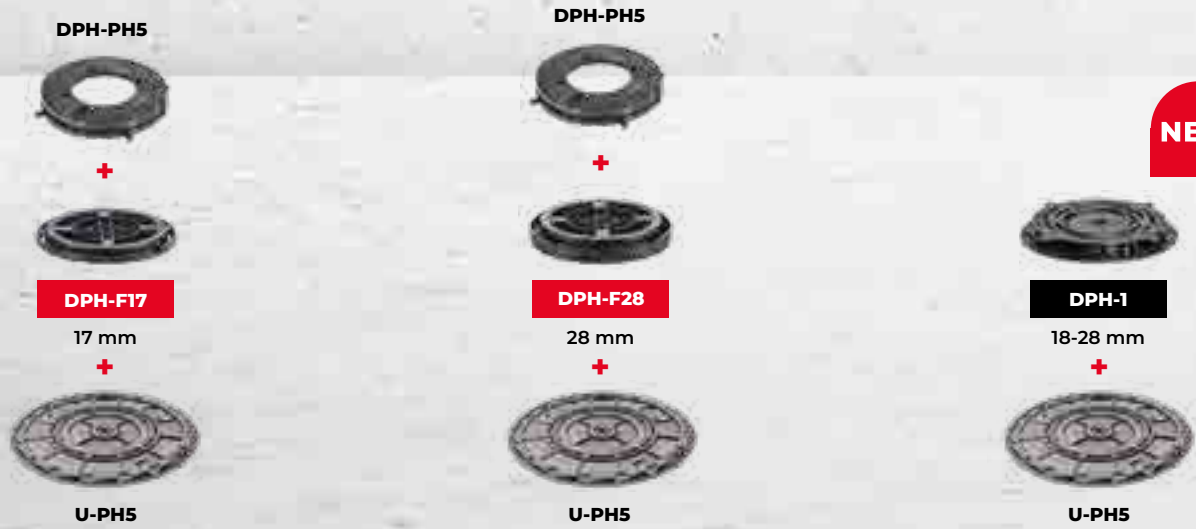
Concealing services



100% recyclable

DPH range without integrated slope corrector

It is possible to fix the DPH-PH5 slope corrector on the top of the pedestal and/or the U-PH5 slope corrector under the pedestal base.



DPH range with slope corrector integrated

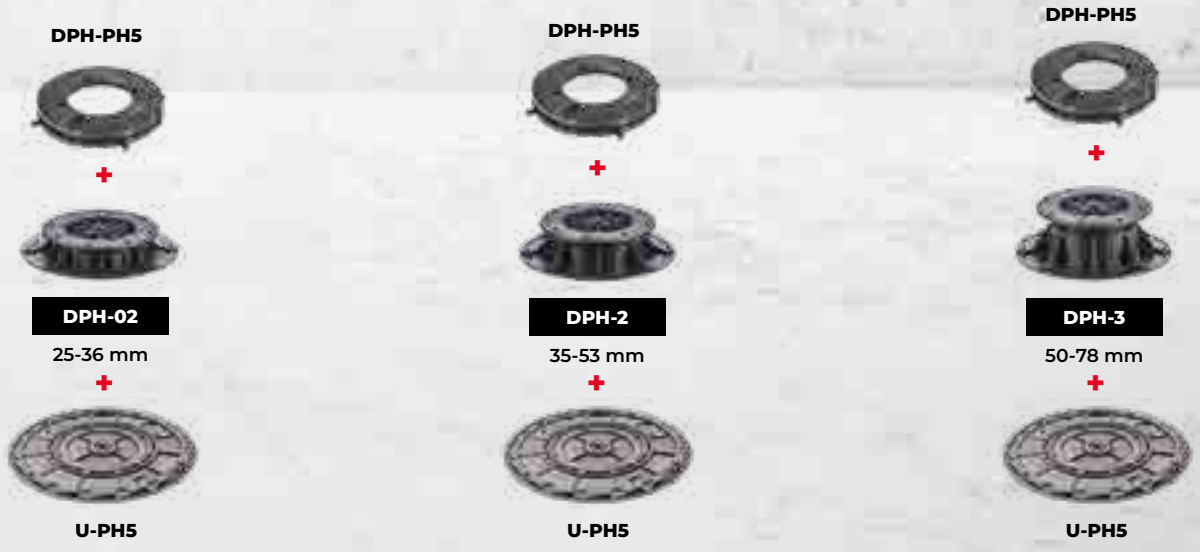
This can be used with the U-PH5 slope corrector under the base of the pedestal.



Our DPH range

↑ +9 mm
or
+14 mm
or
+23 mm ↓

The total height of the pedestal will be 9 mm higher with the DPH-PH5 corrector, 14 mm with the U-PH5, and 23 mm with the two correctors.



↑ +14 mm ↓

With the U-PH5 slope corrector, the additional height is 14 mm.



■ Fixed ■ Adjustable

Detailed information on slope correctors can be found on pp. 35 to 39.

DPH SERIES

Composition of the DPH pedestal

Top of the pedestal

The top of the pedestal is screwed directly onto the base, or onto the couplers. The top of the pedestal, on which various components can be applied to support different surfaces, has a diameter of 155 mm.

Various accessories are fixed on the top of the pedestal to respond to the problems encountered on site.

DPH-5-PH5-NSC

Diameter of the top 155 mm, surface 188 cm²



Couplers

The couplers are interposed by screws between the base and the top of the pedestal. Thanks to these couplers, the pedestals can reach a height of 1,070 mm.

DPH-C2

H: +75 mm to +116 mm



DPH-C5

H: +182 mm to +225 mm



Base of the pedestal

The base can be simply laid or fixed on any type of compatible substrate.

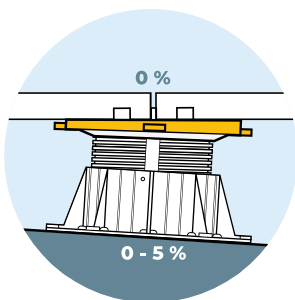
DPH-5-PH5-NSC

Base diameter 200 mm, surface 314 cm²



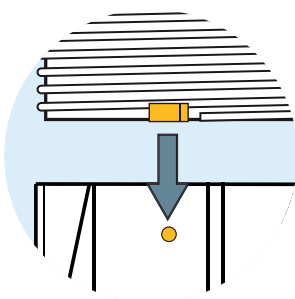
The detailed composition of the pedestal is shown on pp. 68 to 74.





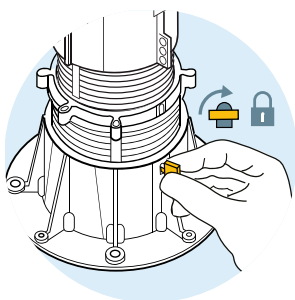
Integrated slope corrector

For the DPH range of pedestals, which starts with the DPH-02-PH5, the slope corrector is integrated in the top of the pedestal. It creates a counter-slope of 0 to 5% at intervals of 0.5 %, which facilitates the installation of a horizontal or inclined terrace.



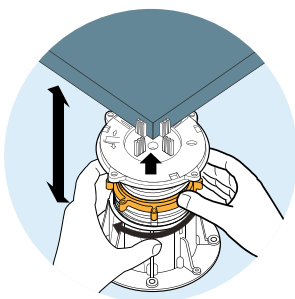
Security system

The pedestal in the DPH series are equipped with a safety locking system preventing each element from over rotating when the maximum height is reached.



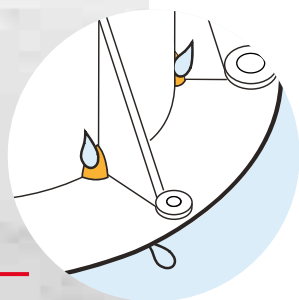
Locking keys

The locking keys, positioned on each side, lock the pedestal at the desired height and provide increased stability when the height exceeds 100 mm.

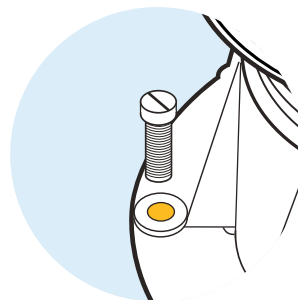


Adjustment ring

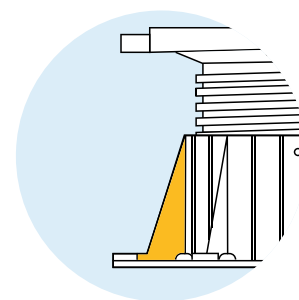
The adjustment ring, with inverted screw pitch, adjusts the height of the pedestal to the millimetre once it is installed.



8 holes at the base of the pedestal ensure complete drainage



8 holes around the base enable the mechanical fixing of the pedestal to the substrate



Lateral reinforcements give structural support which improves the stability and strength of the pedestal



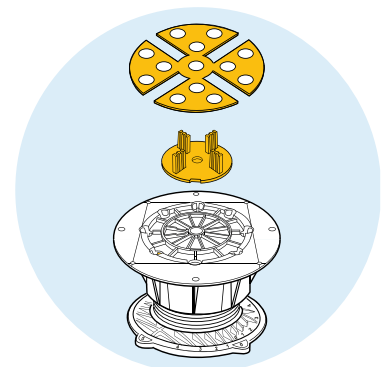
UPSIDE DOWN system

If the application requires a larger support surface, for example near walls and vertical upstands, the DPH-02-PH5 to DPH-13-PH5 pedestal models can also be used in the inverted position.

It is still possible to use accessories with inverted DPH pedestals. The tabs, leveller, U-Wall and U-Edge brackets remain compatible.



DPH-5-PH5 INVERTED



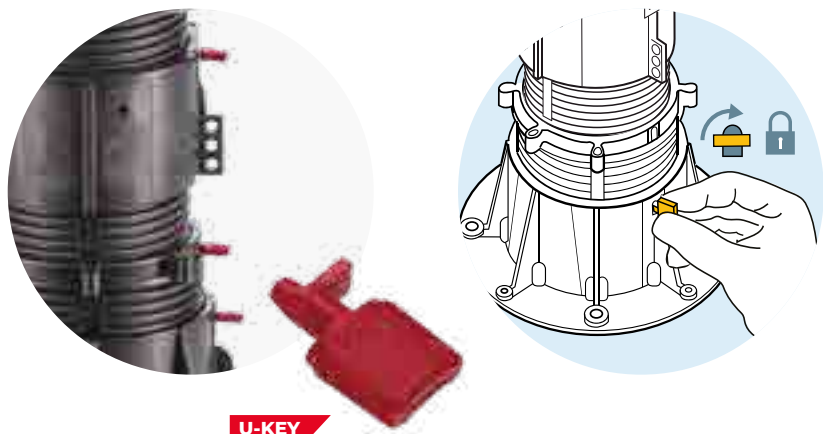


“

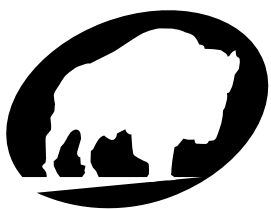
**“The advantages
of the DPH
range”**

Locking keys

These keys lock the pedestal to the required height.



U-KEY



Buzon®



3

DPH ACCESSORIES

DPH accessories

We have a range of accessories that complement our DPH support systems to facilitate the creation of terraces. Whatever the configuration of the site, we offer easy and reliable solutions to the various problems encountered on sites.

“

**“A multitude
of possibilities”**



Levellers

The **U-E10** or **U-E20** leveller is a 1 or 2 mm shim in the shape of a maltese cross. It stabilises the pavement, provides acoustic capabilities and compensates for the tolerances in the paving thickness.



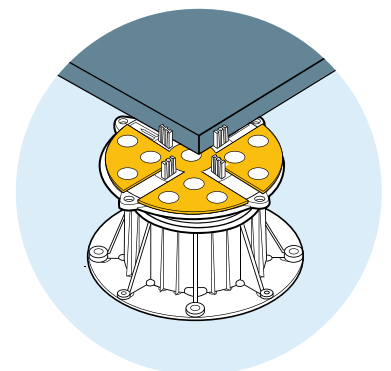
U-E10

1 mm



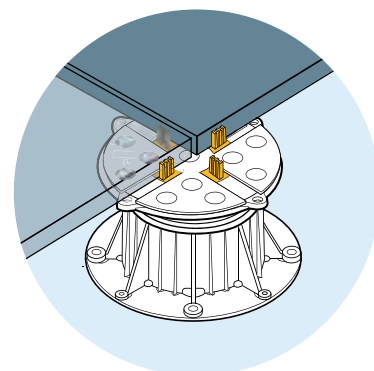
U-E20

2 mm



Spacer tabs

The **DPH TABS** are available in different thicknesses: 2 mm, 3 mm, 4.5 mm, 6 mm, 8 mm and 10 mm. They guarantee a uniform alignment of the pavers placed on the top of the Buzon® pedestal.



H-17

2 mm



H-17

3 mm



H-17

4.5 mm



H-17

6 mm

H: 17 mm



H-25

2 mm



H-25

4.5 mm



H-25

6 mm



H-25

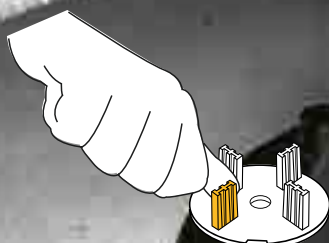
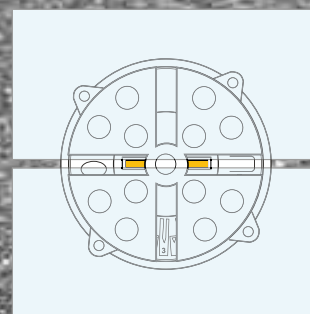
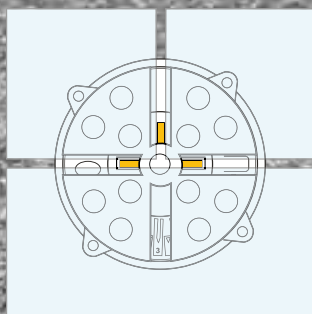
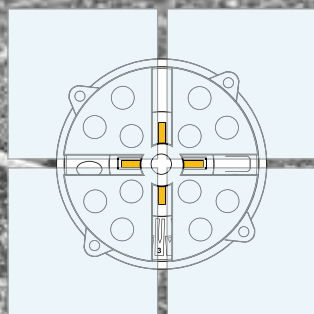
8 mm



H-25

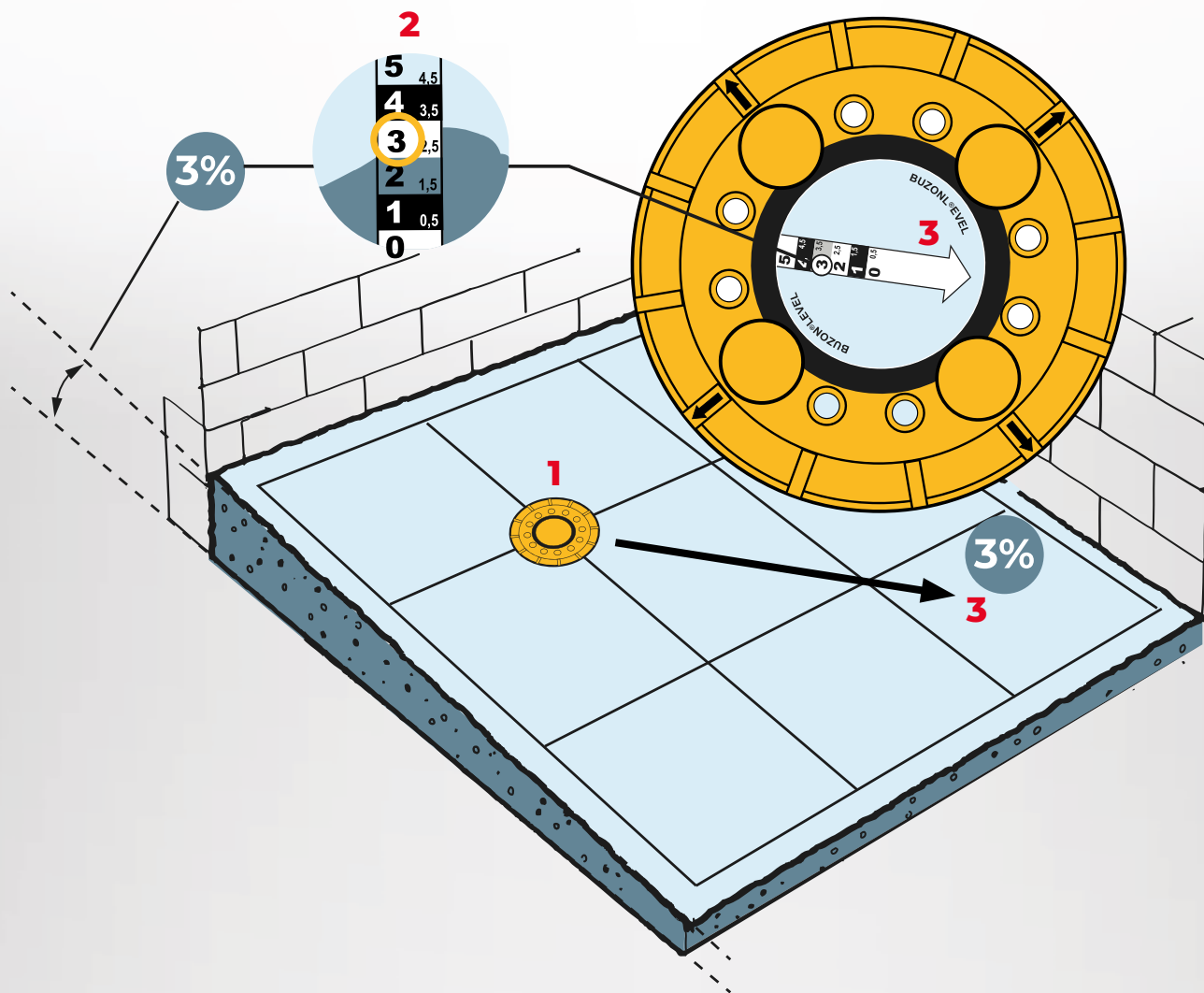
10 mm

H: 25 mm



By detaching the spacer tabs, it is possible to create different design configurations.





Buzon® level

The Buzon® **U-KIT-SL80** level is the essential tool for calculating slopes. It measures the value and direction of the slope of the terrace support at any location. This information is essential for the use of our slope correction systems.



U-KIT-SL80

1 To determine the value and direction of the slope, position the Buzon level at an intersection.

2 Orientate the level to align the bubble with the arrow.

3 The bubble indicates the value of the slope in %. The alignment of the numbers indicates the direction of the slope to be straightened. Draw the arrow and the number on the ground. Example 3%.

Prolonged exposure of the Buzon level placed on the ground at a temperature above 25°C makes the bubble disappear. Put the level in the shade!



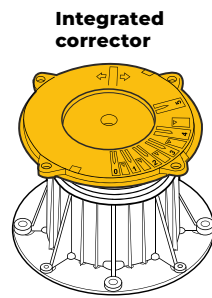
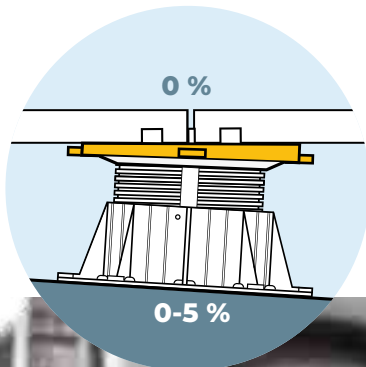
Slope correctors in the DPH range



Integrated corrector

1 Integrated slope corrector

The DPH-02-PH5 to DPH-13-PH5 pedestals have a slope corrector integrated into the top of the pedestal. It makes it possible to compensate a slope of 0 to 5% with a precise adjustment in intervals of 0.5%.



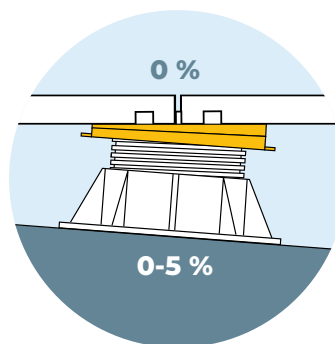
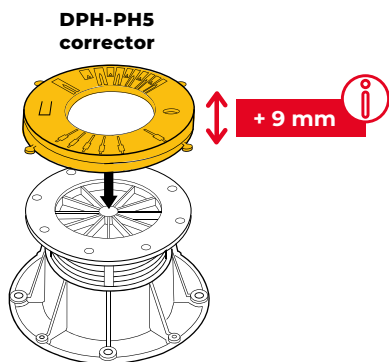


2 DPH-PH5 slope corrector

It is possible to add the **DPH-PH5** corrector on the top of the pedestals that do not have an integrated corrector (DPH-F17 to DPH-3) in order to control the correction of the slope.



DPH-PH5



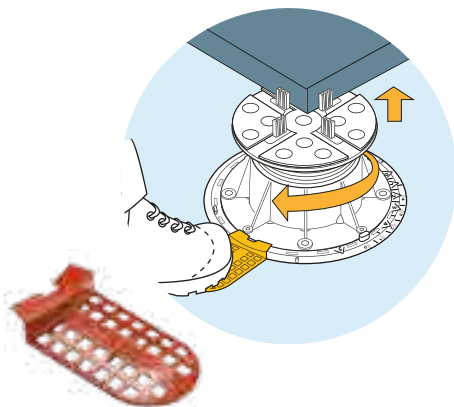


NEW

U-PH5

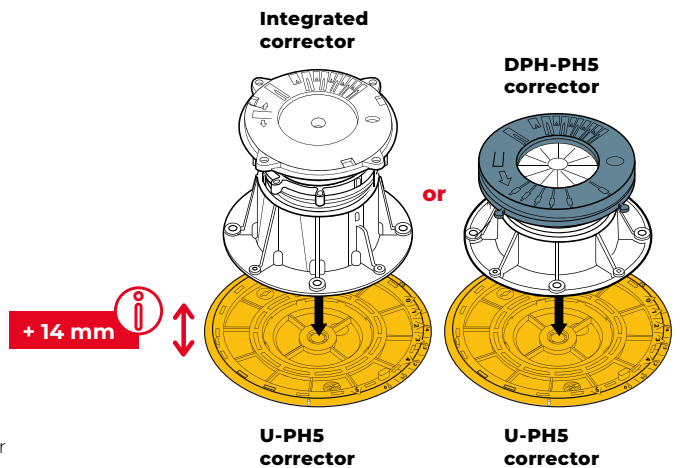
3 U-PH5 slope corrector

The **U-PH5** corrector is an adjustable disc which is placed under the base of all the pedestals in the DPH range and guarantees perfect control of the slopes. It can deal with slopes greater than 5%.



KEY FOOT

Enables maintaining the orientation of the corrector when adjusting the height of the pedestal.



U-PH5 corrector

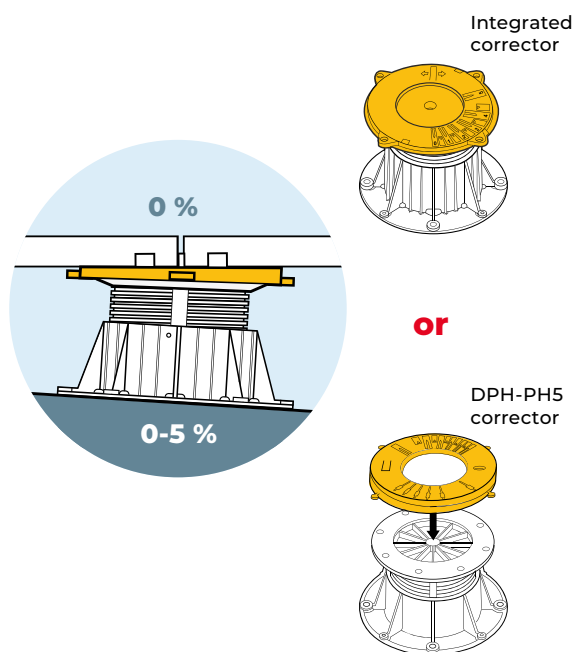
U-PH5 corrector



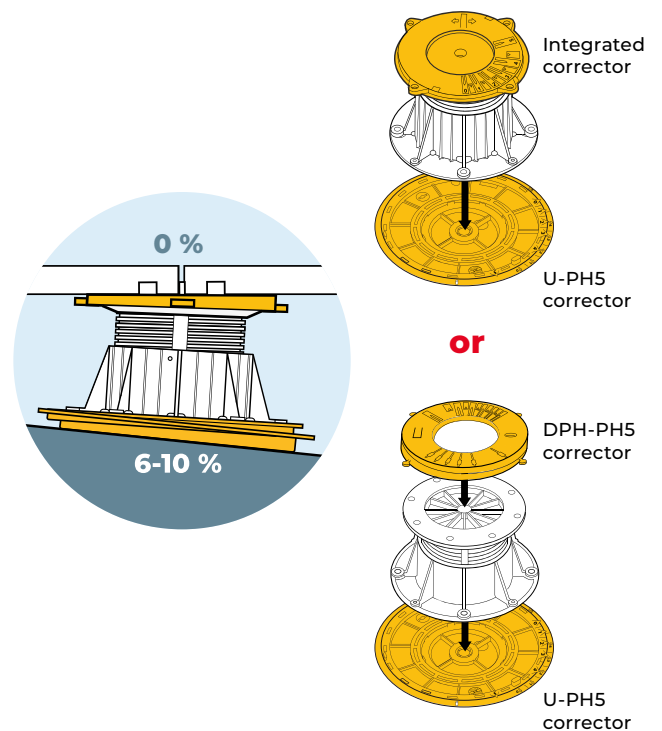
Slope correction

In order to control the slopes during the creation of terraces, Buzon® offers solutions that are easy to implement.

1 Slope correction from 0 to 5%



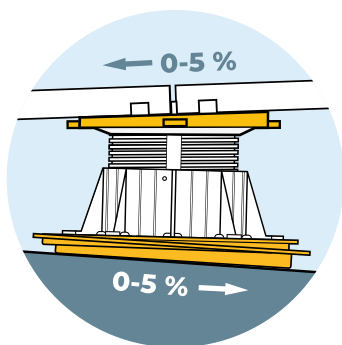
2 Slope correction from 6 to 10%



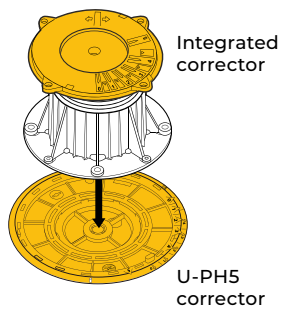


3 Multiple slope correction

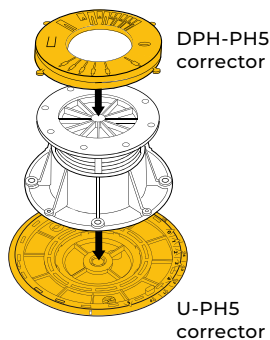
Our correctors are adjustable and can be mechanically orientated. By combining two correctors (built-in corrector or DPH-PH5 with the U-PH5), it is possible to create a slope on the finished support in the desired direction.



INNOVATIVE



or





**“Solutions
for every
project”**

Joist supports

Joist supports are fixed in place using our plug-in system on Buzon® pedestals in the DPH range. They firmly hold the joists supporting the timber decking.



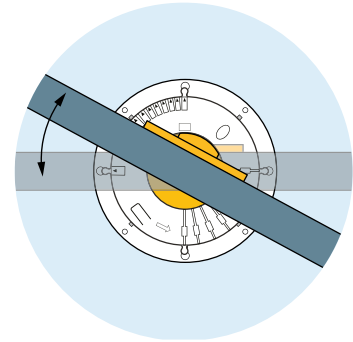
ROTATING JOIST SUPPORTS



NEW

DPH-KIT-5

The DPH-Kit 5 is compatible with all of the DPH range pedestals.



The DPH-KIT-5 rotates to allow the adjustment of the joist to the required direction once the pedestal has been adjusted to the correct height.

FIXED JOIST SUPPORTS



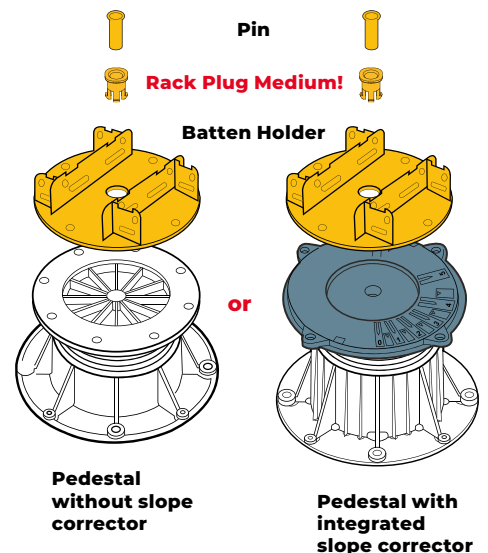
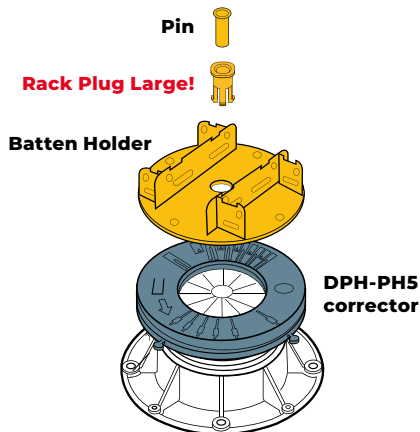
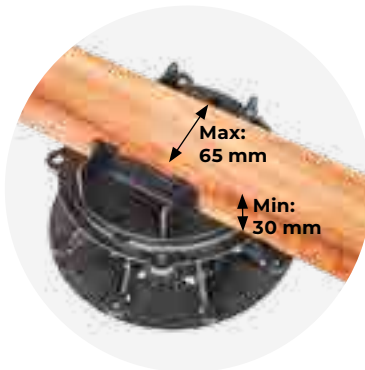
DPH-KIT-4

The DPH-KIT 4 is compatible with DPH pedestals with an added DPH-PH5 slope corrector.



DPH-KIT-3


The DPH-KIT 3 is compatible with DPH pedestals with integrated slope correction and DPH pedestals without the DPH-PH5 slope corrector.



Riser

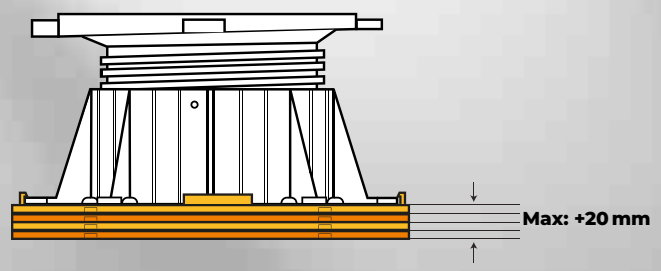
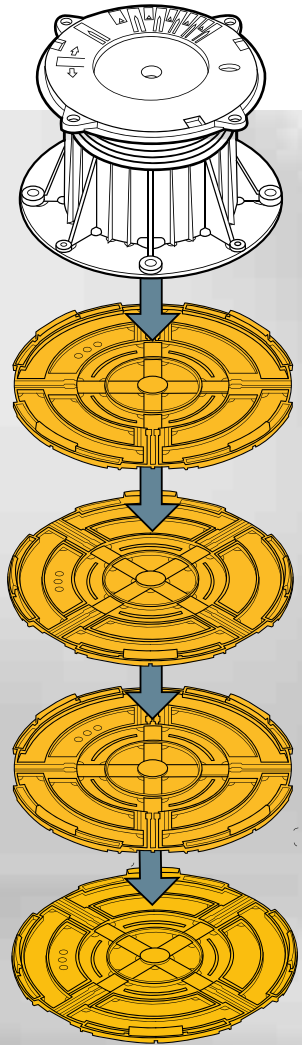
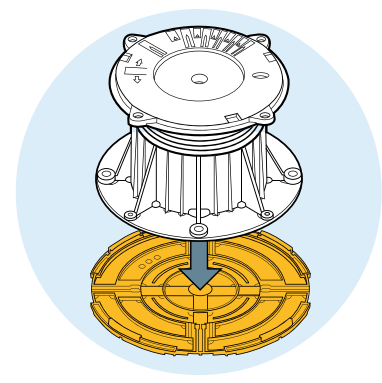
NEW


Thanks to the **U-SHIM** riser, the total height of the pedestal can be increased by 5 mm (with the possibility to stack up to 4 high), which is ideal for making small height adjustments on site.

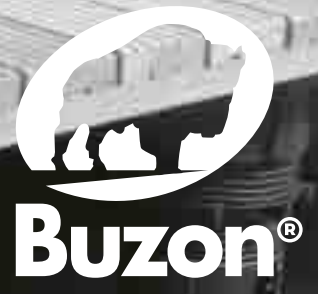
 U-SHIM is also compatible with our U-PH5 slope corrector.



U-SHIM
5 mm



 Possibility to stack up to 4 shims



ACCESSOIRES DPH

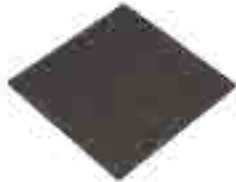


Protective pads

U-PAD 200 x 200 mm



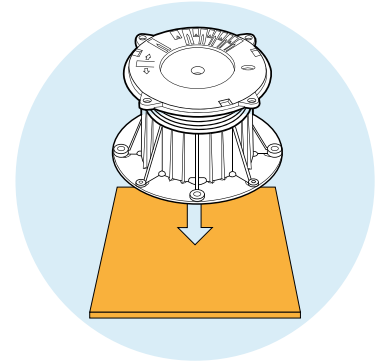
U-PAD
3 mm



U-PAD
6 mm



U-PAD
10 mm



The **U-PAD** protective pad is made up of recycled rubber. It is placed under the pedestal and provides additional acoustic values. It helps protect the substrate if it is subject to puncturing.



BSW BSW Regupol®
Sound insulation up to 23 dB

Up to 37dB with Regupol® Sound and Drain



U-PAD 200 x 100 mm

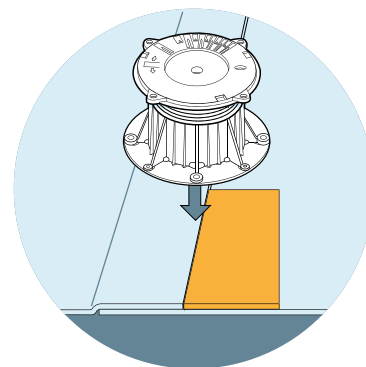


U-PAD
3 mm



U-PAD
6 mm

In case of need, the **U-PAD** mattresses can be used as risers and fill in differences in levels (e.g. different levels of waterproofing membranes).



U-PAD 90 x 60 mm

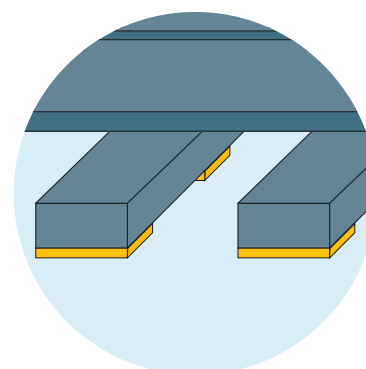


U-PAD
6 mm



U-PAD
10 mm

The **U-PAD** protection mattresses are also available in a format (90 x 60 mm) adapted for use under wooden joists. They keep the joists out of the water and facilitate the evacuation of rainwater.



NEW

U-PAD GROUND, U-TABS-FLAT

HOW TO USE OUR SYSTEM

Buzon® solves and secures the problem of low datums under pavers.

The combination of **U-TABS FLAT**, **U-PAD GROUND** and leveller accessories help to build terraces when the height available under the paver is limited between 3 and 17 mm. The system guarantees a flat terrace with uniform gaps between the pavers (the pavers are better "supported").



U-TABS FLAT
2 mm



U-TABS FLAT
3 mm



U-TABS FLAT
4.5 mm



U-PAD GROUND
3 mm



U-PAD GROUND
6 mm



U-PAD GROUND
10 mm



U-PAD
6 mm



U-PAD
10 mm

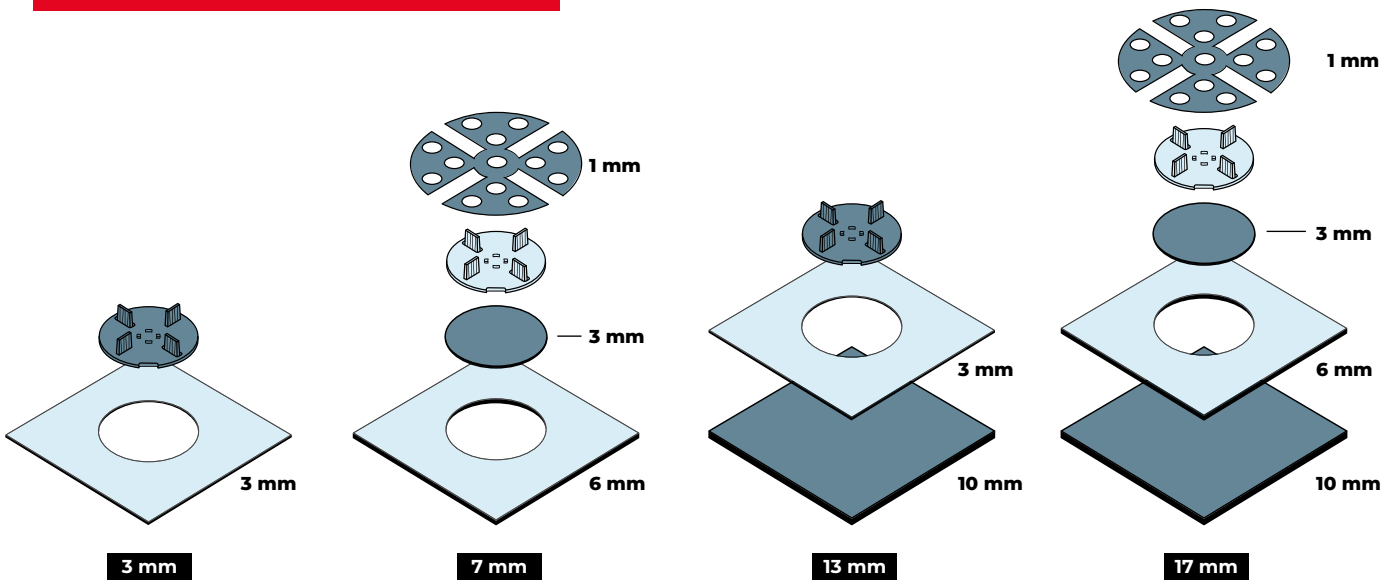
U-PAD Ground and U-TABS FLAT form a combination of products but are sold separately. 




“

“Height
under pavers
from 3 to 17 mm”

Different combinations of accessories are possible to achieve the desired height under pavers.





U-TABS SPIKE creates a regular space between pavers of 2, 3 or 4.5 mm. 



NEW

U-TABS SPIKE

U-TABS SPIKE spacer tab enables the direct laying of pavers on soft ground, gravel, lawns, etc. It is planted directly in the ground and facilitates the installation of terraces or Japanese steps.



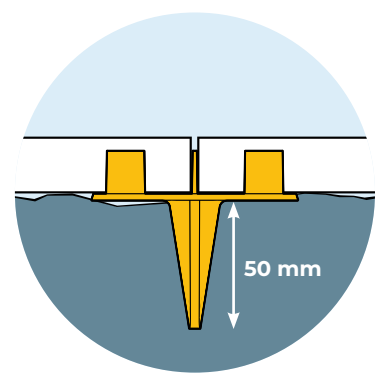
U-TABS SPIKE
2 mm

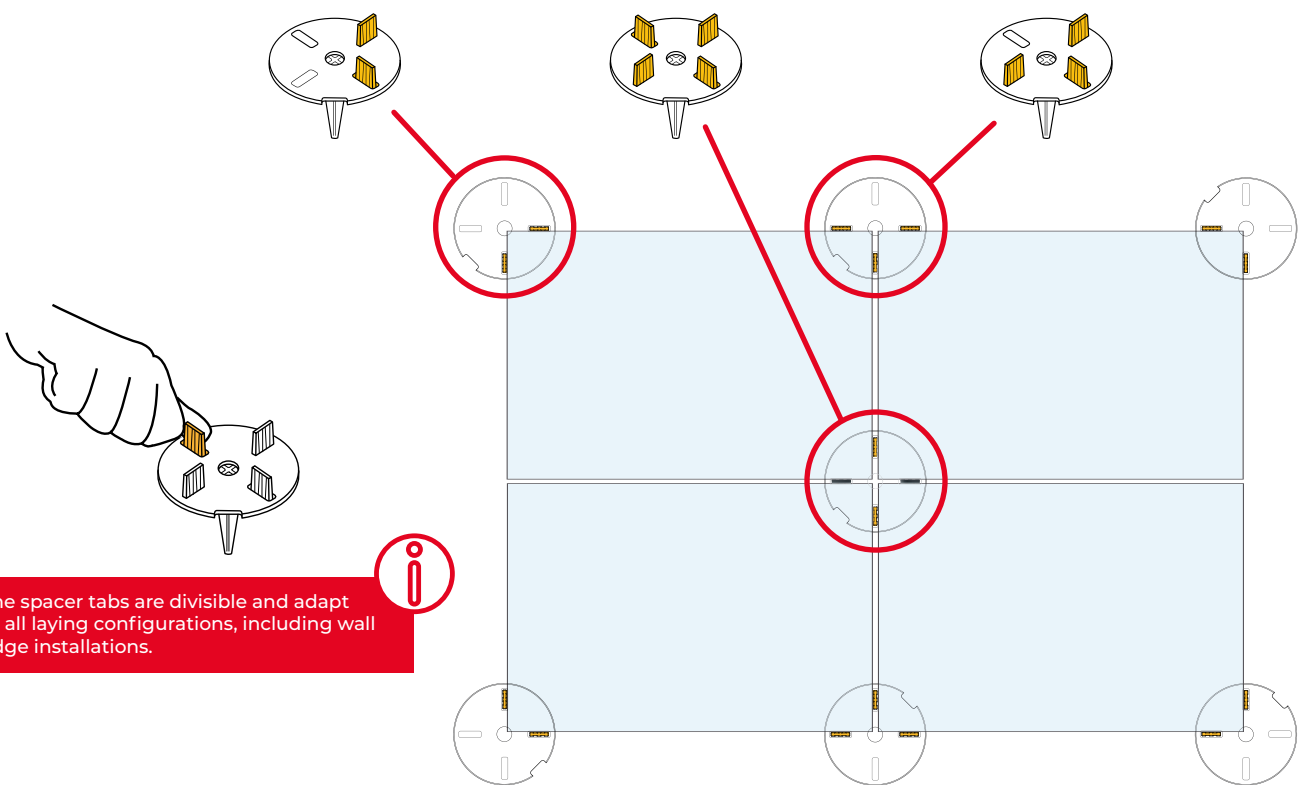


U-TABS SPIKE
3 mm



U-TABS SPIKE
4.5 mm





The spacer tabs are divisible and adapt to all laying configurations, including wall edge installations.

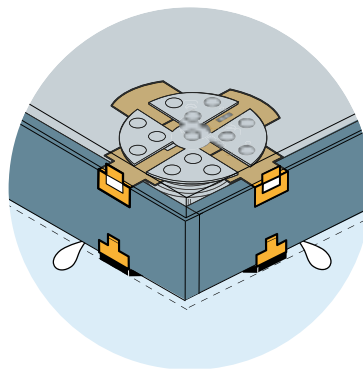


“Terrace perimeter” fastening

DPH-END finishing kit supports the vertical pavers for cladding the edge of the terrace installed on DPH series pedestals. Two hooks on the top and the base of the pedestal hold the vertical 20mm pavers to ensure a solid finish.



LATERAL EDGE



ANGLE

Perimeter Spacer

NEW

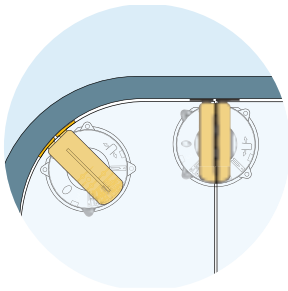
U-WALL creates a uniform 5mm gap between the paver and the wall, enabling water flow which protects the terrace in the case of heavy rainfall, snow etc. It is placed on the top of the DPH pedestal.



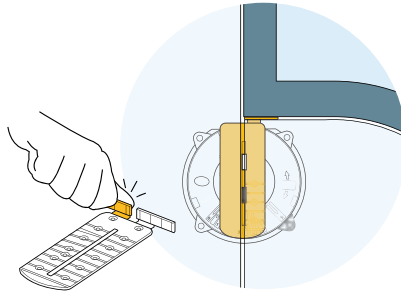
U-WALL

Patent pending

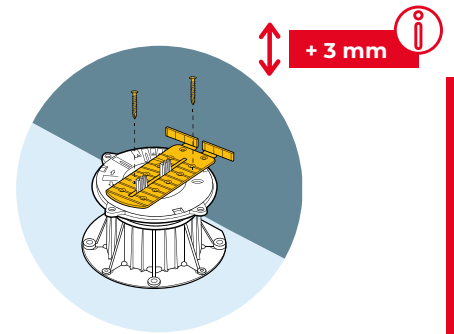
CHARACTERISTICS



With its flexible tile retainers, the U-WALL can be installed on terraces of any shape: angular, curved etc. which makes installation easier and more efficient.



The spacer tabs can be detached to adapt to all types of layout.



+ 3 mm

U-WALL can be fixed to the pedestals with screws to keep the pavers in place. It is also adjustable on the top of the pedestal to create an optimal gap.

DPH ACCESSORIES



For added stability, we recommend using the U-WALL support with U-E10-WALL (1 mm thick) or U-E20-WALL (2 mm) leveller. This guarantees the stability of the paver and will also make finer adjustments on pavers that are irregular e.g., natural stone.

U-E10/20-WALL

1 to 2 mm

With the support of



Wallonie

Paving support at the perimeter of the terrace

U-EDGE is an adaptable support that attaches to the DPH series pedestals. Due to its design, it creates a quick and easy solution to complete the installation at the edge of a terrace. It can be used with any size of spacer tab and all shapes of paving.

NEW



U-EDGE

Patent pending

HOW TO USE THE U-EDGE SUPPORT

U-EDGE is a support enabling the **installation of small pavers** (from 2 to 14 cm wide) at the edge of the wall. These small pavers are placed on the support which can be screwed on to the pedestal.

U-TABS spacer tabs of 2, 3 and 4.5 mm thick are used with U-EDGE. By fixing these in the required location, they create a gap between the paving keeping the smaller cuts evenly spaced and holds them securely in place.



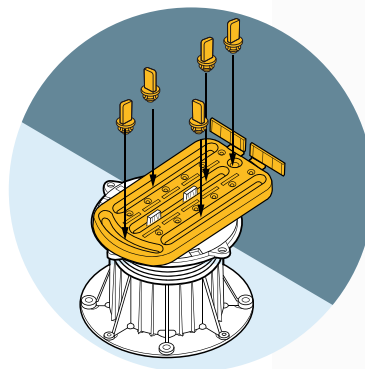
U-TABS
2 mm



U-TABS
3 mm



U-TABS
4.5 mm

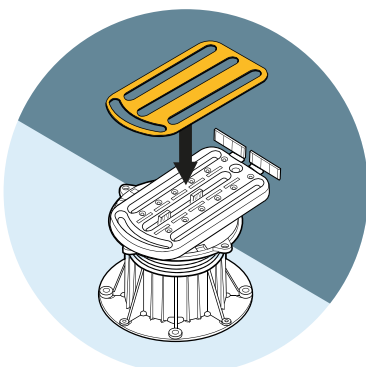


For further stability, we recommend the use of the U-EDGE with U-E10-EDGE leveller (1 mm thickness) or U-E20-EDGE (2 mm). This guarantees the stability of the paver and will also make finer adjustments on pavers that are irregular ie natural stone.



U-E10/20-EDGE

1 / 2 mm

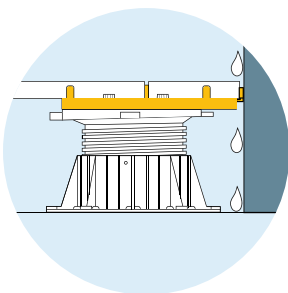


With the support of

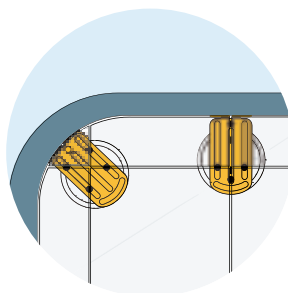


Wallonie

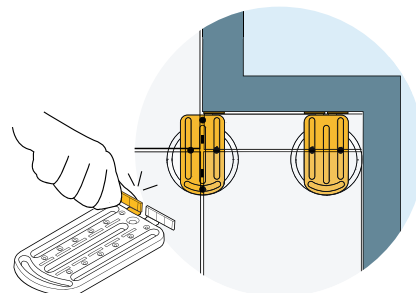
CHARACTERISTICS



U-Edge enables the creation of a space between the pavers and the wall keeping an even gap and enabling water flow which protects the terrace in the case of heavy rainfall, snow etc.



With its flexible tile retainers, U-Edge can be installed on terraces of any shape: angular, curved etc. which makes installation easier and more efficient.



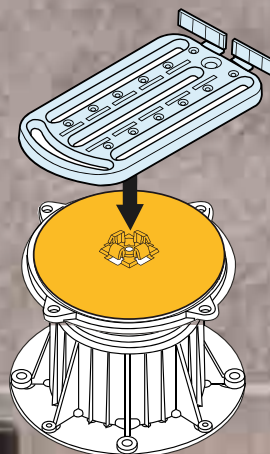
The spacer tabs can be removed to adapt to all types of layout.



U-EDGE support is also used with our U-FIX-PLATE 1 universal fastening.



U-FIX-PLATE 1



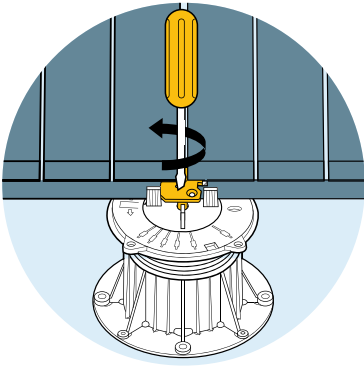
Fastening for wooden pavers

DPH-FASTENER makes it possible to fix wooden pavers and ensures more stability in the event of high winds.

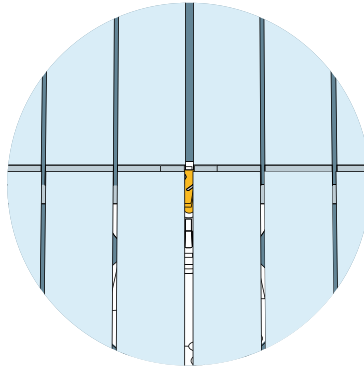


DPH-FASTENER

CHARACTERISTICS



The DPH-Fastener is screwed in to the top of the pedestal. It adapts perfectly to all types of wooden pavers.



Once placed, it is invisible



Anti-lifting kit

U-WASHERs are available on request.



U-WASHER kit installs easily on all paving and prevents them from lifting in case of strong gusts of wind.



U-WASHER

35 mm
Inox (316)



U-WASHER

35 mm
Iron Grey (RAL 7011)



U-WASHER

35 mm
Window Grey (RAL 7040)



U-WASHER

35 mm
Warm Grey (RAL 1019)



U-WASHER

35 mm
Signal Black (RAL 9004)



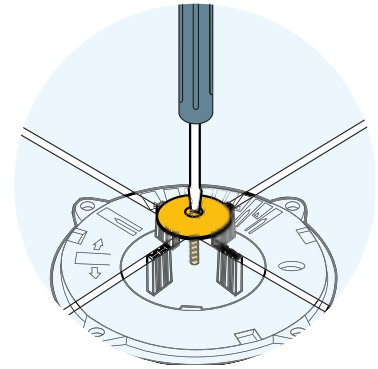
U-WASHER

35 mm
Light ivory (RAL 1015)



U-WASHER

35 mm
Polycarbonate



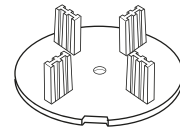
U-Washers are fixed using U-Washer screw and DPH-TABS 4.5 mm POM-WR spacer tab.



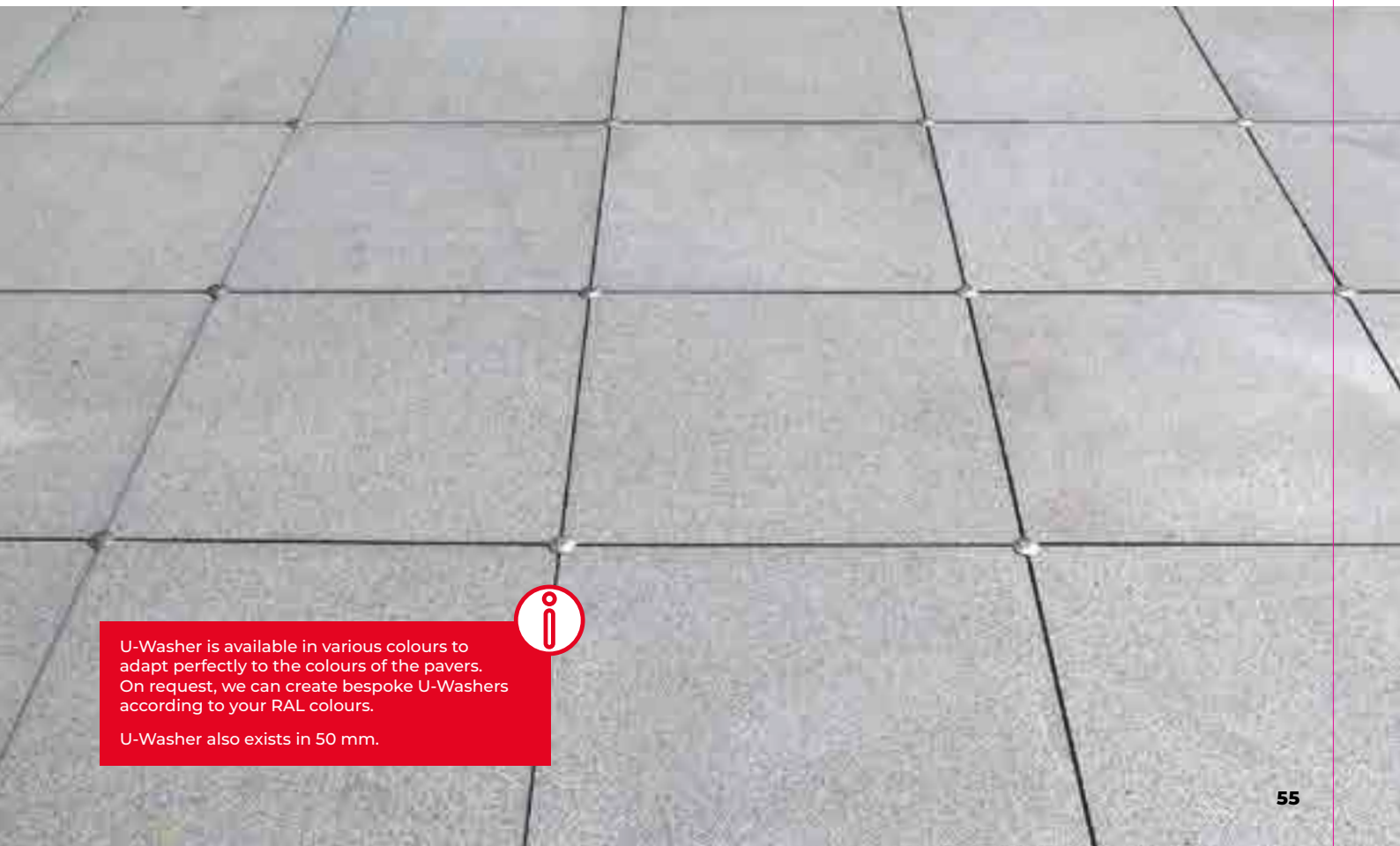
U-WASHER Screw



U-WASHER



**DPH-TABS 4.5 mm
POM-WR**



U-Washer is available in various colours to adapt perfectly to the colours of the pavers. On request, we can create bespoke U-Washers according to your RAL colours.

U-Washer also exists in 50 mm.





4

U-BRS JOISTS

U-BRS System

Buzon Rail System (BRS) revolutionises the creation of raised terraces

The new **U-BRS** laying system for outdoor raised floors ensures a simple and easy installation. Used as a support system, it guarantees great stability and enables the creative design of outdoor spaces.

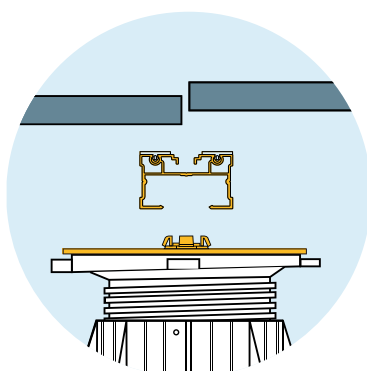
Why choose the **U-BRS** system?

The **U-BRS** system and its aluminium joists allow the installation of 20 mm ceramic pavers of all sizes. With a thickness of 24 or 38 mm, the joists guarantee a superior resistance to the applied loads and only require a gap of 80 cm (maximum) between each supporting pedestal for the 38 mm joists and a spacing of 60 cm (maximum) for 24 mm joists.

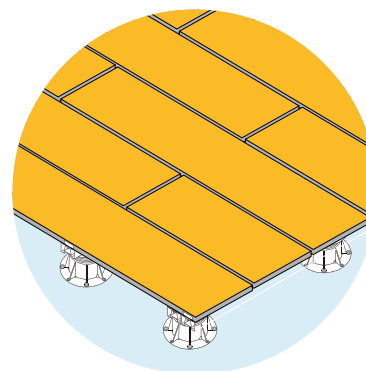
SEVERAL ADVANTAGES



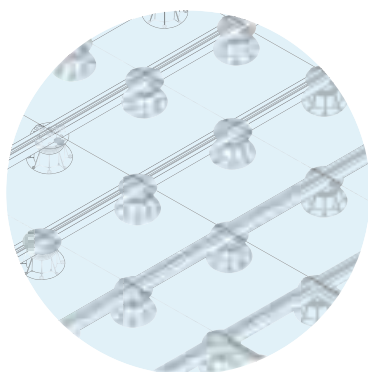
Time savings



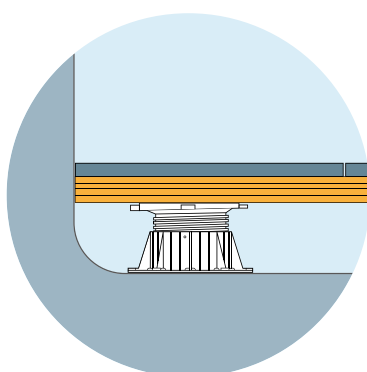
Simplifies installation



Possibility of installing irregular sizes of pavers/boards (e.g. large format 120 x 120 cm or small width 20 x 120, 30 x 120 cm)



High stability of pathway surfaces



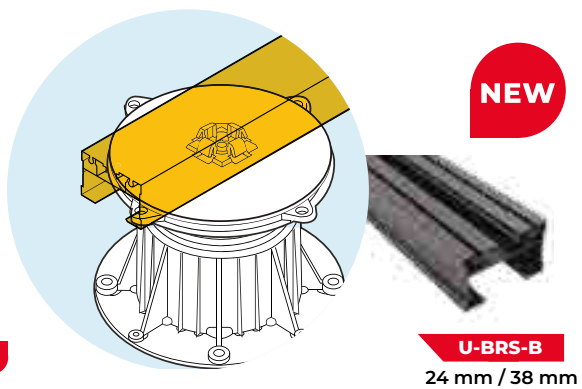
Stability of cantilevers



Composition of the U-BRS System

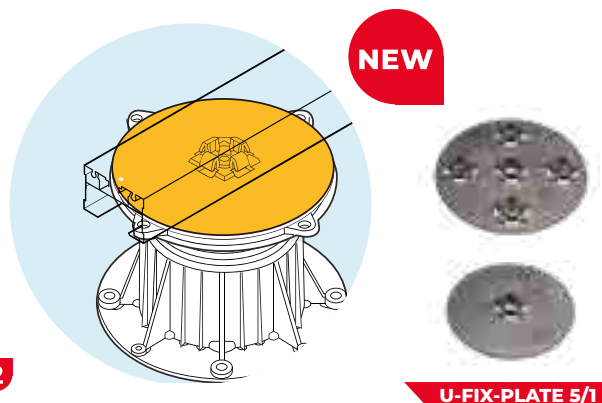
Practical and functional, the **U-BRS** system offers a complete structure for the elevated installation of outdoor space.

The system includes height-adjustable polypropylene pedestals, reinforced aluminium profiles and spacer tabs that provide a gap between the pavers. The system is completed by finishing accessories able to meet all design requirements.



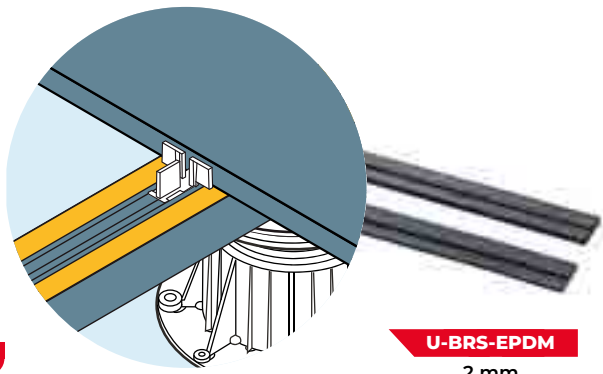
1 **U-BRS-B:** Aluminium joists (2400 x 65 mm): 24 or 38 mm

The joists exist with coating (U-BRS-B) and without coating (U-BRS-M).



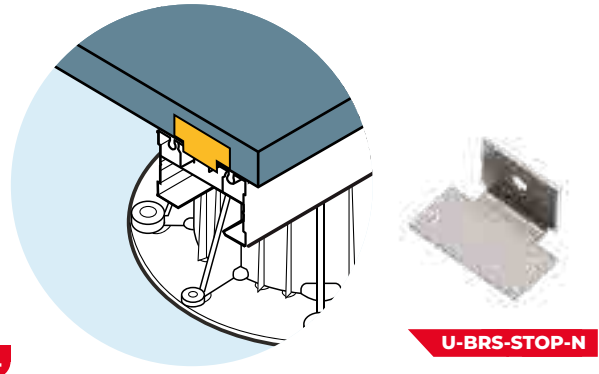
2 **U-FIX-PLATE:** Joist support.

Detailed information on the U-FIX-PLATE can be found on pp. 62 to 64.



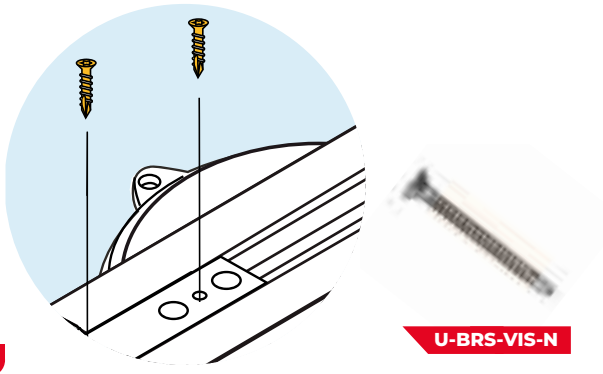
U-BRS-EPDM
2 mm

U-BRS-EPDM-2 mm: EPDM protection
Attached to the U-BRS joists, it stabilises the paver and provides additional acoustic comfort.



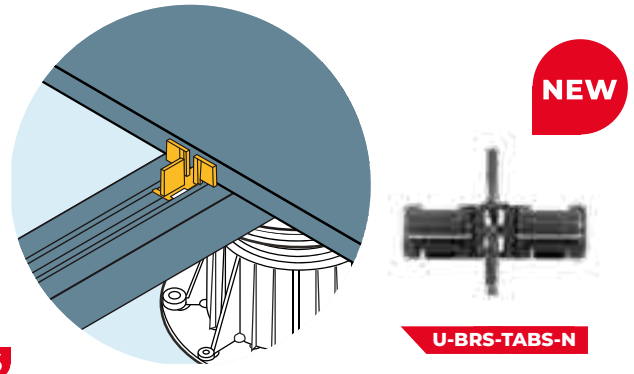
U-BRS-STOP-N

U-BRS-STOP-N prevents the pavers from moving at the edge of the terrace. It enables stopping the pavers at the edge of the terrace.



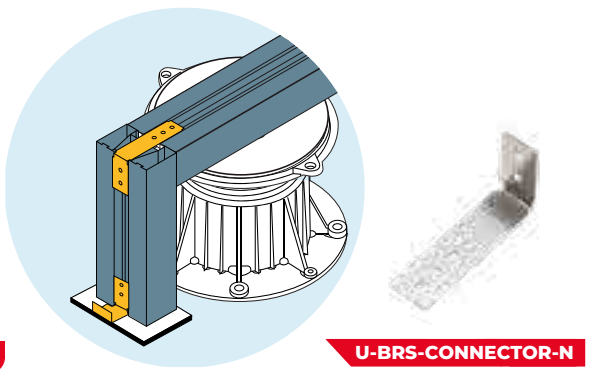
U-BRS-VIS-N

U-BRS-VIS-N: fastening screws for joists (3.9 x 25 mm)



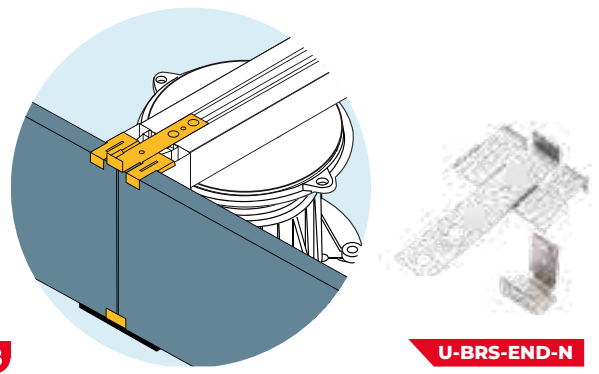
U-BRS-TABS-N

U-BRS-TABS-N: spacer tab that regulates the spacing between the pavers, ensures alignment, and allows the rapid runoff of excess water. The spacer tabs are available in different thicknesses: 2, 3 and 4.5 mm.



U-BRS-CONNECTOR-N

U-BRS-CONNECTOR-N: connector for securing two joists.



U-BRS-END-N

U-BRS-END-T-N / U-BRS-END-B-N: stainless steel finishing kit to support the vertical cladding at the edge of the terrace. Two blades with claws grip the 20mm plinth.

U-FIX-PLATE

Supports for the **U-FIX-PLATE** joist secure the joist to the top of the pedestal by simply pressing. Once the U-FIX-PLATE is installed on the pedestal, just press the joist onto the pedestal and the profiled base of the joist fixes automatically while allowing the pedestal to slide under the joist for optimal positioning.

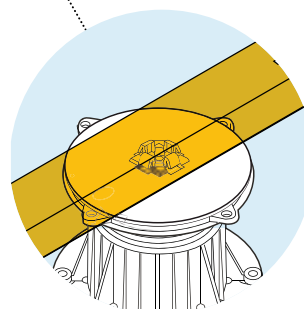
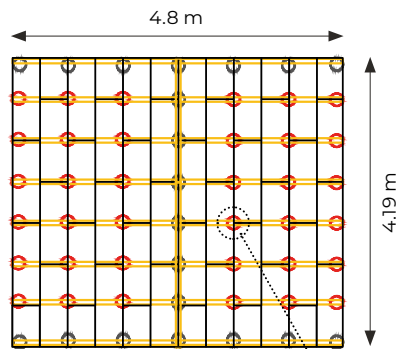


USAGE

Use and distribution of the **U-FIX-PLATE 1** and **U-FIX-PLATE 5** according to the size of the terrace.

TERRACE ~ 20 m²

- U-FIX-PLATE 5 ~ 20
 - U-FIX-PLATE 1 ~ 36
 - ▮ U-N-BRS ~ 18
- (Approximate quantity)





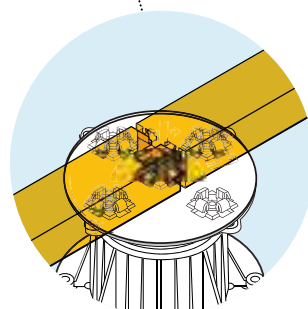
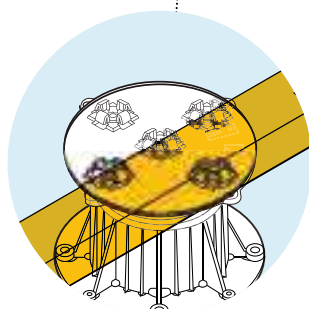
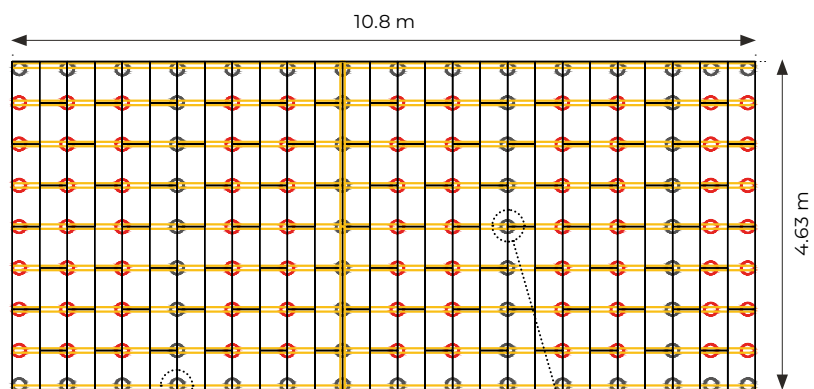
TERRACE ~ 50 m²

○ U-FIX-PLATE 5 ~ 58

○ U-FIX-PLATE 1 ~ 77

▮ U-N-BRS ~ 43

(Approximate quantity)



U-FIX-PLATE

USAGE

Use and distribution of the **U-FIX-PLATE 1** and **U-FIX-PLATE 5** according to the size of the terrace.

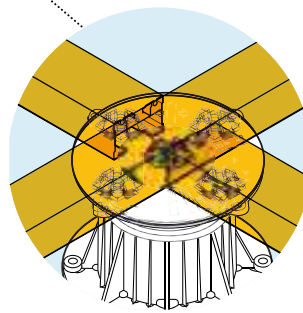
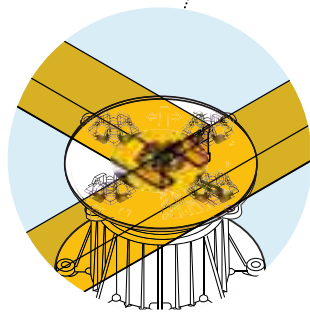
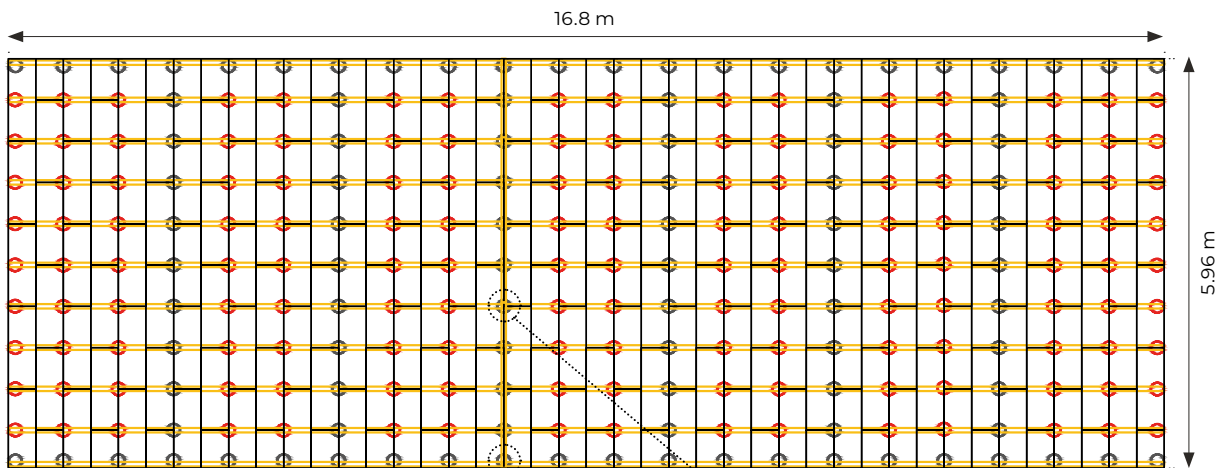
TERRACE ~ 100 m²

○ U-FIX-PLATE 5 ~ **98**

○ U-FIX-PLATE 1 ~ **144**

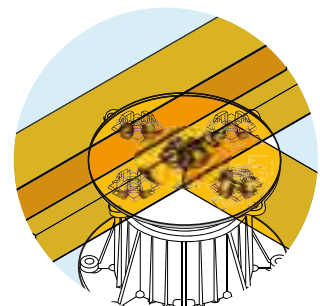
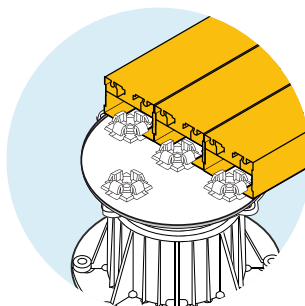
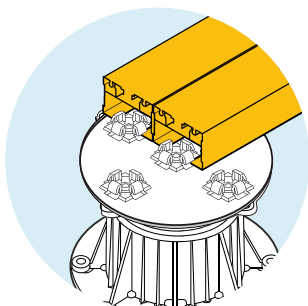
▮ U-N-BRS ~ **80**

(Approximate quantity)



INNOVATIVE

If necessary, it is possible to double or triple the number of joists.





Composition of U-BRS WOOD

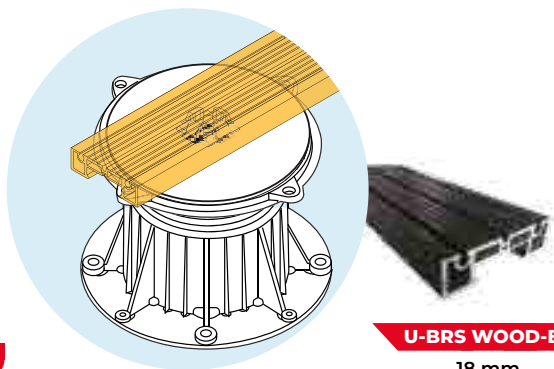
The **UBRS-Wood** system will enable the creation of wooden terrace with aluminium joists. Our system is compatible with many different wooden / composite boards and fastenings.



The spacing system between the wooden boards depends on the boards chosen.

U-BRS END, U-BRS TABS, U-BRS STOP and U-BRS Connector are only compatible with U-BRS joists.

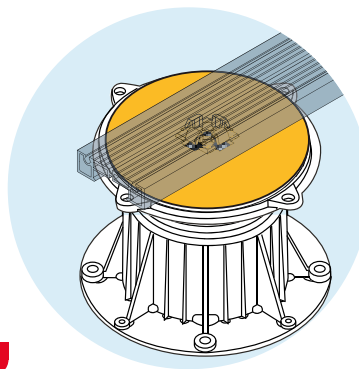
NEW



U-BRS WOOD-B

18 mm

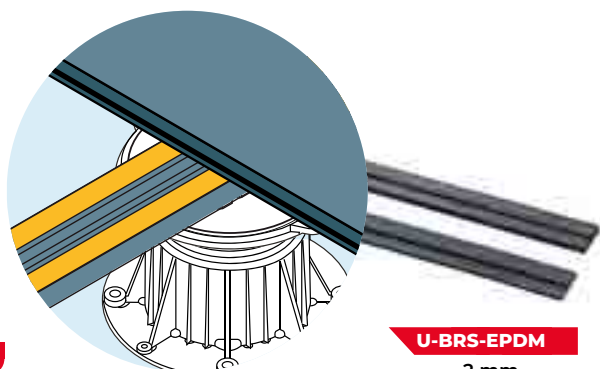
U-BRS-WOOD-B: Aluminium joists (2400 x 65 mm)



U-FIX-PLATE 5/1

U-FIX-PLATE: Joist support

The joists exist with coating (U-BRS-WOOD-B) and without coating (U-BRS-WOOD-M).



U-BRS-EPDM

2 mm

U-BRS-EPDM-2 mm

EPDM protection which is placed on the U-BRS-Wood joists. Optional, it stabilises the board and provides additional acoustic comfort.



WOODEN BOARDS AND FASTENINGS:
Not supplied by Buzon®!

Our aluminium joist system is compatible with many different profiles of timber / composite decking and fastenings. We advise you to request more information from your supplier.





5

PRICING AND
PACKAGING

Pricing and packaging (ex. VAT)



SCREWED PEDESTALS - DELIVERED SCREWED

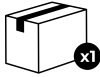
DPH-F17

Height: **17 mm**

Weight: **94 gr**

€ **0.99**

Quantity
per box: **144 pcs**



DPH-F17



DPH-F28

Height: **28 mm**

Weight: **139 gr**

€ **1.37**

Quantity
per box: **84 pcs**



DPH-F28



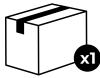
DPH-1

Height: **18-28 mm**

Weight: **196 gr**

€ **1.91**

Quantity
per box: **24 pcs**



DPH-1



NEW

DPH-02

Height: **25-36 mm**

Weight: **236 gr**

€ **2.94**

Quantity
per box: **48 pcs**



DPH-02



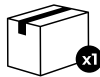
DPH-2

Height: **35-53 mm**

Weight: **278 gr**

€ **3.89**

Quantity
per box: **72 pcs**



DPH-2



DPH-3

Height: **50-78 mm**

Weight: **323 gr**

€ **4.73**

Quantity
per box: **48 pcs**



DPH-3



Unless otherwise agreed, our prices (ex. VAT) may vary depending on the increase in our purchase prices, salaries, social or fiscal charges and other events that are susceptible to objective appraisal. Each new price cancels and replaces previous conditions with immediate effect.

SCREWED PEDESTALS - DELIVERED SCREWED

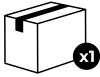
DPH-02-PH5

Height: 33-44 mm

Weight: 280 gr

€ 4.31

Quantity
per box: 24 pcs



DPH-02-PH5



NEW

DPH-2-PH5

Height: 44-57 mm

Weight: 318 gr

€ 5.33

Quantity
per box: 24 pcs



DPH-2-PH5



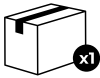
DPH-3-PH5

Height: 55-79 mm

Weight: 356 gr

€ 6.08

Quantity
per box: 24 pcs



DPH-3-PH5



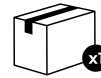
DPH-4-PH5

Height: 77-108 mm

Weight: 469 gr

€ 6.96

Quantity
per box: 24 pcs



DPH-4-PH5



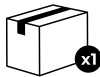
DPH-5-PH5

Height: 100-175 mm

Weight: 667 gr

€ 8.25

Quantity
per box: 24 pcs



DPH-5-PH5

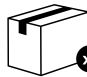


COMPOUND PEDESTALS - DELIVERED UNSCREWED

DPH-6-PH5

Height: 175-285mm
 Weight: 938 gr
€ 11.49

 24 pcs
 x1
 DPH-5-PH5-NSC

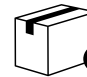
 48 pcs
 x1
 DPH-C2



DPH-7-PH5

Height: 285-400 mm
 Weight: 1.14 kg
€ 12.92

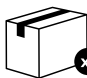
 24 pcs
 x1
 DPH-5-PH5-NSC

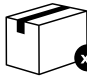
 24 pcs
 x1
 DPH-C5

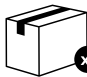


DPH-8-PH5

Height: 355-515 mm
 Weight: 1.41 kg
€ 16.16

 24 pcs
 x1
 DPH-5-PH5-NSC

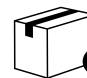
 48 pcs
 x1
 DPH-C2

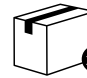
 24 pcs
 x1
 DPH-C5



DPH-9-PH5

Height: 465-625 mm
 Weight: 1.61 kg
€ 17.59

 24 pcs
 x1
 DPH-5-PH5-NSC

 24 pcs
 x2
 DPH-C5



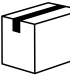
Unless otherwise agreed, our prices (ex. VAT) may vary depending on the increase in our purchase prices, salaries, social or fiscal charges and other events that are susceptible to objective appraisal. Each new price cancels and replaces previous conditions with immediate effect.


COMPOUND PEDESTALS - DELIVERED UNSCREWED

DPH-10-PH5

Height: 545-740 mm
 Weight: 1.88 kg
€ 20.83

 24 pcs
 DPH-5-PH5-NSC

 48 pcs
 DPH-C2

 24 pcs
 DPH-C5



DPH-5-PH5-NSC




DPH-5-PH5-NSC

DPH-11-PH5

Height: 645-850 mm
 Weight: 2.09 kg
€ 22.26

 24 pcs
 DPH-5-PH5-NSC

 24 pcs
 DPH-C5



DPH-5-PH5-NSC

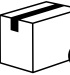


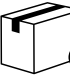
DPH-5-PH5-NSC

DPH-12-PH5

Height: 720-960 mm
 Weight: 2.36 kg
€ 25.50

 24 pcs
 DPH-5-PH5-NSC

 48 pcs
 DPH-C2

 24 pcs
 DPH-C5



DPH-5-PH5-NSC

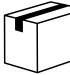


DPH-5-PH5-NSC

DPH-13-PH5

Height: 830-1070 mm
 Weight: 2.56 kg
€ 26.93

 24 pcs
 DPH-5-PH5-NSC

 24 pcs
 DPH-C5



DPH-5-PH5-NSC



DPH-5-PH5-NSC

PRICING AND PACKAGING

Unless otherwise agreed, our prices (ex. VAT) may vary depending on the increase in our purchase prices, salaries, social or fiscal charges and other events that are susceptible to objective appraisal. Each new price cancels and replaces previous conditions with immediate effect.

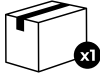
ELEMENTS FOR PEDESTALS COMPOSED OF DPH-5-PH5 TO DPH-13-PH5

DPH-C2

Weight: **271 gr**

€ **3.24**

Quantity
per box: **48 pcs**



DPH-C2



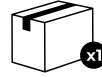
Coupler

DPH-C5

Weight: **475 gr**

€ **4.67**

Quantity
per box: **24 pcs**



DPH-C5



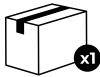
Coupler

DPH-5-PH5-NSC

Weight: **667 gr**

€ **8.25**

Quantity
per box: **24 pcs**



DPH-5-PH5-NSC



Top and base of the pedestal

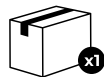
ACCESSORIES AVAILABLE FOR ALL MODELS OF PEDESTALS

DPH-TABS H17 2 mm

Height: **17 mm**
Width: **2 mm**
Weight: **20 gr**

€ 0.37

Quantity
per box: **120 pcs**



DPH-TABS



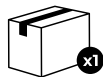
Spacer tab

DPH-TABS H17 3 mm

Height: **17 mm**
Width: **3 mm**
Weight: **20 gr**

€ 0.37

Quantity
per box: **120 pcs**



DPH-TABS



Spacer tab

DPH-TABS H17 4.5 mm

Height: **17 mm**
Width: **4.5 mm**
Weight: **20 gr**

€ 0.37

Quantity
per box: **120 pcs**



DPH-TABS



Spacer tab

DPH-TABS H17 6 mm

Height: **17 mm**
Width: **6 mm**
Weight: **20 gr**

€ 0.37

Quantity
per box: **120 pcs**



DPH-TABS



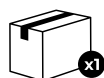
Spacer tab

DPH-TABS H25 2 mm

Height: **25 mm**
Width: **2 mm**
Weight: **20 gr**

€ 0.37

Quantity
per box: **120 pcs**



DPH-TABS



Spacer tab

DPH-TABS H25 4.5 mm

Height: **25 mm**
Width: **4.5 mm**
Weight: **20 gr**

€ 0.37

Quantity
per box: **120 pcs**



DPH-TABS



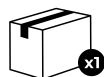
Spacer tab

DPH-TABS H25 6 mm

Height: **25 mm**
Width: **6 mm**
Weight: **20 gr**

€ 0.37

Quantity
per box: **120 pcs**



DPH-TABS



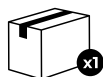
Spacer tab

DPH-TABS H25 8 mm

Height: **25 mm**
Width: **8 mm**
Weight: **21 gr**

€ 0.37

Quantity
per box: **120 pcs**



DPH-TABS



Spacer tab

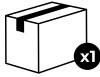
Unless otherwise agreed, our prices (ex. VAT) may vary depending on the increase in our purchase prices, salaries, social or fiscal charges and other events that are susceptible to objective appraisal. Each new price cancels and replaces previous conditions with immediate effect.

ACCESSORIES AVAILABLE FOR ALL MODELS OF PEDESTALS

DPH-TABS H25 10 mm

Height: **25 mm**
 Width: **10 mm**
 Weight: **22 gr**
€ 0.37

Quantity per box: **120 pcs**



DPH-TABS



Spacer tab

U-E10

Thickness: **1 mm**
 Weight: **18 gr**
€ 0.31

Quantity per box: **480 pcs**



U-E10

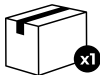


Universal shim

U-E20

Thickness: **2 mm**
 Weight: **32 gr**
€ 0.48

Quantity per box: **240 pcs**



U-E20



Universal shim

DPH-KIT-3

Weight: **96 gr**
 Height: **29 mm**
€ 1.82

Quantity per box: **120 pcs**



DPH-KIT-3

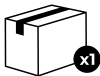


Joist support

DPH-KIT-4

Weight: **96 gr**
 Height: **29 mm**
€ 1.82

Quantity per box: **120 pcs**



DPH-KIT-4



Joist support

DPH-KIT-5

Weight: **25 gr**
 Height: **28 mm**
€ 0.71

Quantity per box: **120 pcs**



DPH-KIT-5



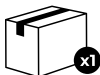
Joist support

NEW

U-SHIM

Thickness: **5 mm**
 Weight: **70 g**
€ 0.95

Quantity per box: **24 pcs**



U-SHIM



Riser

NEW

U-PH5

Weight: **192 gr**
€ 1.83

Quantity per box: **24 pcs**



U-PH5



Slope corrector

NEW

Unless otherwise agreed, our prices (ex. VAT) may vary depending on the increase in our purchase prices, salaries, social or fiscal charges and other events that are susceptible to objective appraisal. Each new price cancels and replaces previous conditions with immediate effect.

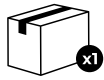
ACCESSORIES AVAILABLE FOR ALL MODELS OF PEDESTALS

DPH-PH5

Weight: **85 gr**

€ **1.59**

Quantity per box: **120 pcs**



DPH-PH5



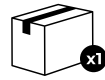
Slope corrector

U-KIT-SL-80

Weight: **177 gr**

€ **50.04**

Quantity per box: **1 pc**



U-KIT-SL-80



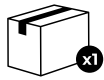
Spirit level

U-WALL

Weight: **39 gr**

€ **1.13**

Quantity per box: **24 pcs**



U-WALL



Wall separator

NEW

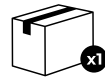
U-E10-WALL

Thickness: **1 mm**

Weight: **26 gr**

€ **0.31**

Quantity per box: **480 pcs**



U-E10-WALL



Universal shim

NEW

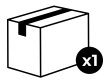
U-E20-WALL

Thickness: **2 mm**

Weight: **43 gr**

€ **0.48**

Quantity per box: **240 pcs**



U-E20-WALL



Universal shim

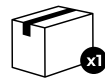
NEW

DPH FASTENER

Weight: **9 gr**

€ **0.37**

Quantity per box: **600 pcs**



DPH-FASTENER



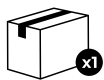
Fastening for wooden pavers

DPH-END

Weight: **221 gr**

€ **11.48**

Quantity per box: **12 pcs**



DPH-END



Lateral finish

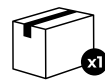
U-LD-3050

Paver size:
30x30cm > 50x50 cm

Weight: **1.22 kg**

€ **35.00**

Quantity per box: **1 pc**



U-LD-3050



Paver elevator

Unless otherwise agreed, our prices (ex. VAT) may vary depending on the increase in our purchase prices, salaries, social or fiscal charges and other events that are susceptible to objective appraisal. Each new price cancels and replaces previous conditions with immediate effect.

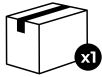
ACCESSORIES AVAILABLE FOR ALL MODELS OF PEDESTALS

U-LD-5065

Paver size:
50x50 cm > 65x65 cm
Weight: 2.00 kg

€ 105.00

Quantity
per box: 1 pc



U-LD-5065



Paver elevator

U-WASHER

Diameter: 35 mm
Weight: 7 gr

€ 1.05

Quantity
per box: 240 pcs



U-WASHER



Anti-lift washer
Stainless steel (316)

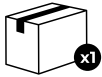
U-WASHER

Available on request

Diameter: 35 mm
Weight: 6 gr

€ 2.08

Quantity
per box: 1200 pcs



U-WASHER



Anti-lift washer
Iron Grey (RAL 7011)

U-WASHER

Available on request

Diameter: 35 mm
Weight: 6 gr

€ 2.08

Quantity
per box: 1200 pcs



U-WASHER



Anti-lift washer
Window Grey (RAL 7040)

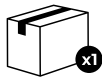
U-WASHER

Available on request

Diameter: 35 mm
Weight: 6 gr

€ 2.08

Quantity
per box: 1200 pcs



U-WASHER



Anti-lift washer
Warm Grey (RAL 1019)

U-WASHER

Available on request

Diameter: 35 mm
Weight: 6 gr

€ 2.08

Quantity
per box: 1200 pcs



U-WASHER



Anti-lift washer
Signal Black (RAL 9004)

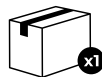
U-WASHER

Available on request

Diameter: 35 mm
Weight: 6 gr

€ 2.08

Quantity
per box: 1200 pcs



U-WASHER



Anti-lift washer
Light ivory (RAL 1015)

U-WASHER

Available on request

Diameter: 35 mm
Weight: 6 gr

€ 2.43

Quantity
per box: 1200 pcs



U-WASHER



Anti-lift washer
Polycarbonate

Unless otherwise agreed, our prices (ex. VAT) may vary depending on the increase in our purchase prices, salaries, social or fiscal charges and other events that are susceptible to objective appraisal. Each new price cancels and replaces previous conditions with immediate effect.

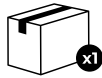
ACCESSORIES AVAILABLE FOR ALL MODELS OF PEDESTALS

U-WASHER VIS

Weight: **3 gr**

€ **0.19**

Quantity per box: **500 pcs**



U-WASHER VIS



Fastening screw

DPH-TABS POM-WR 4.5 mm

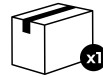
Height: **17 mm**

Width: **4.5 mm**

Weight: **20 gr**

€ **0.56**

Quantity per box: **120 pcs**



DPH-TABS POM-WR



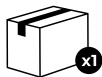
Spacer tab

U-KEY

Weight: **54 gr**

€ **7.24**

Quantity per box: **1 pc**



U-KEY



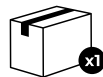
Key to adjust the height of the pedestals

U-EDGE

Weight: **86 gr**

€ **1.18**

Quantity per box: **24 pcs**



U-EDGE



Paving support at the edge of the terrace

NEW

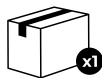
U-E10-EDGE

Thickness: **1 mm**

Weight: **26 gr**

€ **0.82**

Quantity per box: **480 pcs**



U-E10-EDGE



Universal shim

NEW

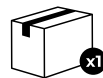
U-E20-EDGE

Thickness: **2 mm**

Weight: **43 gr**

€ **1.24**

Quantity per box: **240 pcs**



U-E20-EDGE



Universal shim

NEW

U-TABS 2 mm

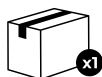
Height: **17 mm**

Width: **2 mm**

Weight: **1 gr**

€ **0.15**

Quantity per box: **1200 pcs**



U-TABS



Spacer tab

NEW

U-TABS 3 mm

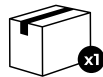
Height: **17 mm**

Width: **3 mm**

Weight: **1 gr**

€ **0.15**

Quantity per box: **1200 pcs**



U-TABS



Spacer tab

NEW

Unless otherwise agreed, our prices (ex. VAT) may vary depending on the increase in our purchase prices, salaries, social or fiscal charges and other events that are susceptible to objective appraisal. Each new price cancels and replaces previous conditions with immediate effect.

ACCESSORIES AVAILABLE FOR ALL MODELS OF PEDESTALS

U-TABS 4.5 mm

Height: 17 mm
Width: 4.5 mm
Weight: 1 gr

€ 0.15

Quantity
per box: 1200 pcs



U-TABS



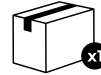
Spacer tab

NEW

U-FIX-PLATE 1

Weight: 55 gr
€ 0.73

Quantity
per box: 120 pcs



U-FIX-
PLATE 1



Joist support

NEW

U-TABS SPIKE 2 mm

Width: 2 mm
Weight: 16 gr

€ 0.39

Quantity
per box: 120 pcs



U-TABS
SPIKE



Spacer tab

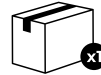
NEW

U-TABS SPIKE 3 mm

Width: 3 mm
Weight: 17 gr

€ 0.39

Quantity
per box: 120 pcs



U-TABS
SPIKE



Spacer tab

NEW

U-TABS SPIKE 4.5 mm

Width: 4.5 mm
Weight: 18 gr

€ 0.39

Quantity
per box: 120 pcs



U-TABS
SPIKE



Spacer tab

NEW

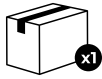
U-PAD RUBBER PROTECTION

U-PAD

Dimensions: **200 x 200 mm**
Thickness: **3 mm**
Weight: **95 gr**

€ 0.51

Quantity
per box: **24 pcs**



U-PAD



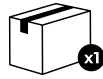
Rubber protection

U-PAD

Dimensions: **200 x 200 mm**
Thickness: **6 mm**
Weight: **175 gr**

€ 0.66

Quantity
per box: **24 pcs**



U-PAD



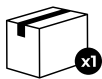
Rubber protection

U-PAD

Dimensions: **200 x 200 mm**
Thickness: **10 mm**
Weight: **280 gr**

€ 1.05

Quantity
per box: **24 pcs**



U-PAD



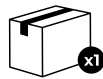
Rubber protection

U-PAD

Dimensions: **200 x 100 mm**
Thickness: **3 mm**
Weight: **47 gr**

€ 0.33

Quantity
per box: **24 pcs**



U-PAD



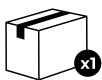
Rubber protection

U-PAD

Dimensions: **200 x 100 mm**
Thickness: **6 mm**
Weight: **140 gr**

€ 0.54

Quantity
per box: **24 pcs**



U-PAD



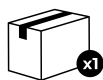
Rubber protection

U-PAD

Dimensions: **90 x 60 mm**
Thickness: **6 mm**
Weight: **26 gr**

€ 0.25

Quantity
per box: **24 pcs**



U-PAD



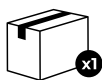
Rubber protection

U-PAD

Dimensions: **90 x 60 mm**
Thickness: **10 mm**
Weight: **43 gr**

€ 0.27

Quantity
per box: **24 pcs**



U-PAD



Rubber protection

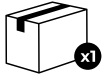
U-PAD RUBBER PROTECTION

U-PAD GROUND

Dimensions: **200 x 200 mm**
 Thickness: **3 mm**
 Weight: **72 gr**
€ 0.64



Quantity per box: **24 pcs**



U-PAD GROUND



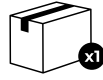
Rubber protection

U-PAD GROUND

Dimensions: **200 x 200 mm**
 Thickness: **6 mm**
 Weight: **180 gr**
€ 0.75



Quantity per box: **24 pcs**



U-PAD GROUND



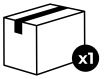
Rubber protection

U-PAD GROUND

Dimensions: **200 x 200 mm**
 Thickness: **10 mm**
 Weight: **290 gr**
€ 1.03



Quantity per box: **24 pcs**



U-PAD GROUND



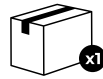
Rubber protection

U-TABS FLAT 2 mm

Height: **17 mm**
 Width: **2 mm**
 Weight: **13 gr**
€ 0.39



Quantity per box: **120 pcs**



U-TABS FLAT



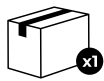
Spacer tab

U-TABS FLAT 3 mm

Height: **17 mm**
 Width: **3 mm**
 Weight: **14 gr**
€ 0.39



Quantity per box: **120 pcs**



U-TABS FLAT



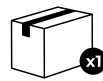
Spacer tab

U-TABS FLAT 4.5 mm

Height: **17 mm**
 Width: **4.5 mm**
 Weight: **15 gr**
€ 0.39



Quantity per box: **120 pcs**



U-TABS FLAT



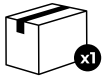
Spacer tab

U-BRS SYSTEM (ALUMINIUM JOIST)

U-BRS-B-24

Height: **24 mm**
 Length: **2,400 mm**
 Weight: **2.74 kg**
€ 35.63

Quantity per pallet: **196 pcs**



U-BRS-B-24



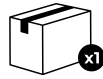
Joist

NEW

U-BRS-B-38-N

Height: **38 mm**
 Length: **2,400 mm**
 Weight: **3.70 kg**
€ 45.50

Quantity per pallet: **84 pcs**



U-BRS-B-38-N



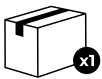
Joist

NEW

U-BRS-M-24

Height: **24 mm**
 Length: **2,400 mm**
 Weight: **2.74 kg**
€ 21.57

Quantity per pallet: **196 pcs**



U-BRS-M-24



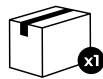
Joist
Without coating

NEW

U-BRS-M-38-N

Height: **38 mm**
 Length: **2,400 mm**
 Weight: **3.70 kg**
€ 26.97

Quantity per pallet: **84 pcs**



U-BRS-M-38-N



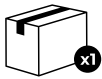
Joist
Without coating

NEW

U-FIX-PLATE 1

Weight: **55 gr**
€ 0.73

Quantity per box: **120 pcs**



U-FIX-PLATE 1



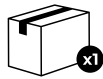
Support for U-BRS joist

NEW

U-FIX-PLATE 5

Weight: **82 gr**
€ 0.81

Quantity per box: **120 pcs**



U-FIX-PLATE 5



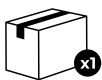
Support for U-BRS joist

NEW

U-BRS-TABS-N 2 mm

Height: **18 mm**
 Width: **2 mm**
 Weight: **5 gr**
€ 0.35

Quantity per box: **960 pcs**



U-BRS-TABS-N



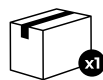
Spacer tab

NEW

U-BRS-TABS-N 3 mm

Height: **18 mm**
 Width: **3 mm**
 Weight: **5 gr**
€ 0.35

Quantity per box: **960 pcs**



U-BRS-TABS-N



Spacer tab

NEW

Unless otherwise agreed, our prices (ex. VAT) may vary depending on the increase in our purchase prices, salaries, social or fiscal charges and other events that are susceptible to objective appraisal. Each new price cancels and replaces previous conditions with immediate effect.

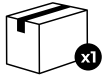
U-BRS SYSTEM (ALUMINIUM JOIST)

U-BRS-TABS-N 4.5 mm

Height: **18 mm**
Width: **4.5 mm**
Weight: **5 gr**

€ 0.35

Quantity per box: **960 pcs**



U-BRS-TABS-N



Spacer tab

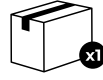
NEW

U-BRS-EPDM

Height: **2 mm**
Length: **2,400 mm**
Weight: **130 gr**

€ 3.39

Quantity per box: **85 pcs**



U-BRS-EPDM



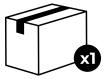
EPDM protection

U-BRS-STOP-N

Weight: **6 gr**

€ 1.23

Quantity per box: **432 pcs**



U-BRS-STOP-N



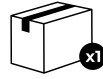
Tile stop

U-BRS-END-T-N

Weight: **25 gr**

€ 6.28

Quantity per box: **130 pcs**



U-BRS-END-T-N



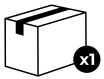
Finishing kit

U-BRS-END-B-N

Weight: **15 gr**

€ 1.77

Quantity per box: **300 pcs**



U-BRS-END-B-N



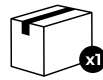
Finishing kit

U-BRS-CONNECTOR-N

Weight: **19 gr**

€ 2.16

Quantity per box: **250 pcs**



U-BRS-CONNECTOR-N



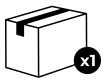
Connecteur

U-BRS-VIS-N

Weight: **1 gr**

€ 0.23

Quantity per box: **1000 pcs**



U-BRS-VIS-N



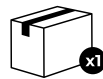
Fastening screws

U-BRS-WOOD-B-18

Height: **18 mm**
Length: **2,400 mm**
Weight: **2.26 kg**

€ 31.93

Quantity per pallet: **196 pcs**



U-BRS-WOOD-B-18



Joist

Unless otherwise agreed, our prices (ex. VAT) may vary depending on the increase in our purchase prices, salaries, social or fiscal charges and other events that are susceptible to objective appraisal. Each new price cancels and replaces previous conditions with immediate effect.

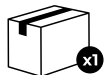
U-BRS SYSTEM (ALUMINIUM JOIST)

U-BRS-WOOD-M-18

Height: **18 mm**
Length: **2,400 mm**
Weight: **2.26 kg**

€ **22.63**

Quantity
per pallet: **196 pcs**



U-BRS-WOOD-M-18



Joist
Without coating



PEDESTAL PRICE + SPACER TABS

Code	Height	€
DPH-F17	17 mm (Fixed)	€ 1.36
DPH-F28	28 mm (Fixed)	€ 1.74
DPH-1	18 - 28 mm (Screwed)	€ 2.28
DPH-02	25 - 36 mm (Screwed)	€ 3.31
DPH-2	35 - 53 mm (Screwed)	€ 4.26
DPH-3	50 - 78 mm (Screwed)	€ 5.10
DPH-02-PH5	33 - 44 mm (Screwed)	€ 4.68
DPH-2-PH5	44 - 57 mm (Screwed)	€ 5.70
DPH-3-PH5	55 - 79 mm (Screwed)	€ 6.45
DPH-4-PH5	77 - 108 mm (Screwed)	€ 7.33
DPH-5-PH5	100 - 175 mm (Screwed)	€ 8.62
DPH-6-PH5	175 - 285 mm (Not screwed)	€ 11.86
DPH-7-PH5	285 - 400 mm (Not screwed)	€ 13.29
DPH-8-PH5	355 - 515 mm (Not screwed)	€ 16.53
DPH-9-PH5	465 - 625 mm (Not screwed)	€ 17.96
DPH-10-PH5	545 - 740 mm (Not screwed)	€ 21.20
DPH-11-PH5	645 - 850 mm (Not screwed)	€ 22.63
DPH-12-PH5	720 - 960 mm (Not screwed)	€ 25.87
DPH-13-PH5	830 - 1070 mm (Not screwed)	€ 27.30



PEDESTAL PRICES + SPACER TABS + LEVELLER (U-E20)

Code	Height	€
DPH-F17	17 mm (Fixed)	€ 1.84
DPH-F28	28 mm (Fixed)	€ 2.22
DPH-1	18 - 28 mm (Screwed)	€ 2.76
DPH-02	25 - 36 mm (Screwed)	€ 3.79
DPH-2	35 - 53 mm (Screwed)	€ 4.74
DPH-3	50 - 78 mm (Screwed)	€ 5.58
DPH-02-PH5	33 - 44 mm (Screwed)	€ 5.16
DPH-2-PH5	44 - 57 mm (Screwed)	€ 6.18
DPH-3-PH5	55 - 79 mm (Screwed)	€ 6.93
DPH-4-PH5	77 - 108 mm (Screwed)	€ 7.81
DPH-5-PH5	100 - 175 mm (Screwed)	€ 9.10
DPH-6-PH5	175 - 285 mm (Not screwed)	€ 12.34
DPH-7-PH5	285 - 400 mm (Not screwed)	€ 13.77
DPH-8-PH5	355 - 515 mm (Not screwed)	€ 17.01
DPH-9-PH5	465 - 625 mm (Not screwed)	€ 18.44
DPH-10-PH5	545 - 740 mm (Not screwed)	€ 21.68
DPH-11-PH5	645 - 850 mm (Not screwed)	€ 23.11
DPH-12-PH5	720 - 960 mm (Not screwed)	€ 26.35
DPH-13-PH5	830 - 1070 mm (Not screwed)	€ 27.78



Unless otherwise agreed, our prices (ex. VAT) may vary depending on the increase in our purchase prices, salaries, social or fiscal charges and other events that are susceptible to objective appraisal. Each new price cancels and replaces previous conditions with immediate effect.

PEDESTAL PRICE + DPH-KIT-5 JOIST SUPPORT

Code	Height	€
DPH-F17	17 mm (Fixed)	€ 1,70
DPH-F28	28 mm (Fixed)	€ 2,08
DPH-1	18 - 28 mm (Screwed)	€ 2,62
DPH-02	25 - 36 mm (Screwed)	€ 3,65
DPH-2	35 - 53 mm (Screwed)	€ 4,60
DPH-3	50 - 78 mm (Screwed)	€ 5,44
DPH-02-PH5	33 - 44 mm (Screwed)	€ 5,02
DPH-2-PH5	44 - 57 mm (Screwed)	€ 6,04
DPH-3-PH5	55 - 79 mm (Screwed)	€ 6,79
DPH-4-PH5	77 - 108 mm (Screwed)	€ 7,67
DPH-5-PH5	100 - 175 mm (Screwed)	€ 8,96
DPH-6-PH5	175 - 285 mm (Not screwed)	€ 12,20
DPH-7-PH5	285 - 400 mm (Not screwed)	€ 13,63
DPH-8-PH5	355 - 515 mm (Not screwed)	€ 16,87
DPH-9-PH5	465 - 625 mm (Not screwed)	€ 18,30
DPH-10-PH5	545 - 740 mm (Not screwed)	€ 21,54
DPH-11-PH5	645 - 850 mm (Not screwed)	€ 22,97
DPH-12-PH5	720 - 960 mm (Not screwed)	€ 26,21
DPH-13-PH5	830 - 1070 mm (Not screwed)	€ 27,64



JOISTS + U-BRS-EPDM PROTECTION

Code	Height / Length	€
U-BRS-B-24	24 mm / 2,400 mm	€ 39,02
U-BRS-B-38-N	38 mm / 2,400 mm	€ 48,89
U-BRS-M-24	24 mm / 2,400 mm	€ 24,96
U-BRS-M-38-N	38 mm / 2,400 mm	€ 30,36
U-BRS-WOOD-B 18	18 mm / 2,400 mm	€ 35,32
U-BRS-WOOD-M 18	18 mm / 2,400 mm	€ 26,02



U-PAD-GROUND + U-TABS-FLAT

Code	Height / Width	€
U-PAD GROUND 3 mm + U-TABS-FLAT 2 mm	3 mm / 2 mm	€ 1.03
U-PAD GROUND 6 mm + U-TABS-FLAT 2 mm	6 mm / 2 mm	€ 1.14
U-PAD GROUND 10 mm + U-TABS-FLAT 2 mm	10 mm / 2 mm	€ 1.42









Unless otherwise agreed, our prices (ex. VAT) may vary depending on the increase in our purchase prices, salaries, social or fiscal charges and other events that are susceptible to objective appraisal. Each new price cancels and replaces previous conditions with immediate effect.

PACKAGING

SCREWED PEDESTALS

Code	 Weight of pedestal / accessory	 Pieces / box	 Box dimensions	 Weight of box + pedestal / accessory	 Qty / pallet	 Boxes / pallet	 Pallet dimensions
DPH-F17	0.094 kg	144	520 x 350 x 410 mm	14.39 kg	35	5040	100 x 120 x 220 cm
DPH-F28	0.139 kg	84	520 x 350 x 410 mm	12,53 kg	35	2940	100 x 120 x 220 cm
DPH-1	0.196 kg	24	600 x 400 x 85 mm	5.22 kg	120	2880	100 x 100x 220 cm
DPH-02	0.236 kg	48	600 x 400 x 220 mm	11.70 kg	45	2160	100 x 120 x 220 cm
DPH-2	0.278 kg	72	600 x 400 x 410 mm	20.90 kg	25	1800	100 x 120 x 220 cm
DPH-3	0.323 kg	48	600 x 400 x 410 mm	16.40 kg	25	1200	100 x 120 x 220 cm
DPH-02-PH5	0.280 kg	24	600 x 400 x 160 mm	8.17 kg	65	1560	100 x 120 x 220 cm
DPH-2-PH5	0.318 kg	24	595 x 395 x 190 mm	8.30 kg	50	1200	100 x 120 x 220 cm
DPH-3-PH5	0.356 kg	24	595 x 395 x 215 mm	9.26 kg	40	960	100 x 120 x 220 cm
DPH-4-PH5	0.469 kg	24	600 x 400 x 305 mm	12.06 kg	30	720	100 x 120 x 220 cm
DPH-5-PH5	0.667 kg	24	600 x 400 x 400 mm	16.71 kg	25	600	100 x 120 x 220 cm

ELEMENTS FOR COMPOSED PEDESTALS

Code	 Weight of pedestal / accessory	 Pieces / box	 Box dimensions	 Weight of box + pedestal / accessory	 Qty / pallet	 Boxes / pallet	 Pallet dimensions
DPH-5-PH5-NSC	0.667 kg	24	600 x 400 x 600 mm	17.02 kg	15	360	100 x 120 x 220 cm
DPH-C2	0.271 kg	48	600 x 410 x 450 mm	13.60 kg	20	960	100 x 120 x 220 cm
DPH-C5	0.475 kg	24	480 x 395 x 505 mm	12.50 kg	24	576	100 x 120 x 220 cm



Weight of pedestal / accessory



Weight of box + pedestal / accessory



Box dimensions



Pieces / box



Qty / pallet



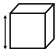






Boxes / pallet



Pallet dimensions

ACCESSORIES

Code	 kg	 pcs		 kg	 boxes	 pcs	
DPH-TABS-2MM-H17	0.020 kg	120	390 x 280 x 145 mm	2.50 kg	130	15,600	100 x 120 x 220 cm
DPH-TABS-3MM-H17	0.020 kg	120	390 x 280 x 145 mm	2.50 kg	130	15,600	100 x 120 x 220 cm
DPH-TABS-4.5MM-H17	0.020 kg	120	390 x 280 x 145 mm	2.50 kg	130	15,600	100 x 120 x 220 cm
DPH-TABS-6MM-H17	0.020 kg	120	390 x 280 x 145 mm	2.50 kg	130	15,600	100 x 120 x 220 cm
DPH-TABS-2MM-H25	0.020 kg	120	390 x 280 x 145 mm	2.50 kg	130	15,600	100 x 120 x 220 cm
DPH-TABS-4.5MM-H25	0.020 kg	120	390 x 280 x 145 mm	2.50 kg	130	15,600	100 x 120 x 220 cm
DPH-TABS-6MM-H25	0.020 kg	120	390 x 280 x 145 mm	2.74 kg	130	15,600	100 x 120 x 220 cm
DPH-TABS-8MM-H25	0.021 kg	120	390 x 280 x 145 mm	2.86 kg	130	15,600	100 x 120 x 220 cm
DPH-TABS-10MM-H25	0.022 kg	120	390 x 280 x 145 mm	2.98 kg	130	15,600	100 x 120 x 220 cm
U-E10	0.018 kg	480	400 x 300 x 160 mm	8.99 kg	48	23,040	80 x 120 x 110 cm
U-E20	0.032 kg	240	400 x 300 x 160 mm	8.10 kg	48	11,520	80 x 120 x 110 cm
DPH-KIT-3	0.096 kg	120	520 x 350 x 410 mm	12.37 kg	35	4,200	100 x 120 x 220 cm
DPH-KIT-4	0.096 kg	120	520 x 350 x 410 mm	12.37 kg	35	4,200	100 x 120 x 220 cm
DPH-KIT-5	0.025 kg	120	400 x 290x 210 mm	3.40 kg	110	13,200	100 x 120 x 225 cm
U-SHIMS-5 mm	0.070 kg	24	220 x 230 x 115 mm	1.87 kg	360	8,640	100 x 120 x 222 cm
U-PH5	0.192 kg	24	495 x 305 x 250 mm	5.71 kg	64	1,536	100 x 120 x 215 cm
DPH-PH5	0.085 kg	120	520 x 350 x 410 mm	11.74 kg	35	4,200	100 x 120 x 220 cm
U-KIT-SL-80	0.177 kg	1	235 x 210 x 40 mm	0.272 kg	-	-	-
U-WALL	0.039 kg	24	220 x 220 x 65 mm	1.03 kg	620	14,880	100 x 120 x 220 cm
U-E10-WALL	0.026 kg	480	370 x 195 x 120 mm	12.70 kg	-	-	-
U-E20-WALL	0.043 kg	240	370 x 195 x 120 mm	10.53 kg	-	-	-
DPH-FASTENER	0.009 kg	600	-	-	-	-	-
DPH-END	0.221 kg	12	300 x 220 x 140 mm	2.95 kg	-	-	-
U-LD-3050	1.2 kg	1	-	-	-	-	-
U-LD-5065	2 kg	1	-	-	-	-	-
U-WASHER- 35 MM STAINLESS STEEL	0.007 kg	240	190 x 90 x 145 mm	1.85 kg	-	-	-
U-WASHER- 35 MM STANDARD COLOUR	0.006 kg	1200	400 x 290 x 150 mm	7.49 kg	-	-	-
U-WASHER- 35 MM POLYCARBONATE	0.006 kg	1200	400 x 290 x 150 mm	7.49 kg	-	-	-
U-WASHER VIS	0.003 kg	500	190 x 90 x 145 mm	1.73 kg	-	-	-
DPH-TABS POM-WR 4.5 MM	0.020 kg	120	390 x 280 x 145 mm	2.50 kg	130	15,600	100 x 120 x 220 cm
U-KEY	0.054 kg	1	320 x 140 x 25 mm	0.01 kg	-	-	-
U-EDGE	0.086 kg	24	300 x 250 x 155 mm	2.28 kg	208	4,992	100 x 120 x 217 cm
U-E10-EDGE	0.026 kg	480	250 x 250 x 250 mm	13,00 kg	60	28,800	80 x 120 x 160 cm
U-E20-EDGE	0.043 kg	240	250 x 250 x 250 mm	10.06 kg	60	14,400	80 x 120 x 160 cm
U-TABS-2 MM	0.001 kg	1200	410 x 320 x 95 mm	1.57 kg	-	-	-
U-TABS-3 MM	0.001 kg	1200	410 x 320 x 95 mm	1.57 kg	-	-	-
U-TABS-4.5 MM	0.001 kg	1200	410 x 320 x 95 mm	1.57 kg	-	-	-
U-TABS SPIKE 2 MM	0.016 kg	120	400 x 300 x 225 mm	2.42 kg	90	10,800	100 x 120 x 220 cm
U-TABS SPIKE 3 MM	0.017 kg	120	400 x 300 x 225 mm	2.54 kg	90	10,800	100 x 120 x 220 cm
U-TABS SPIKE 4.5 MM	0.018 kg	120	400 x 300 x 225 mm	2.66 kg	90	10,800	100 x 120 x 220 cm



Weight of pedestal / accessory



Weight of box + pedestal / accessory



Box dimensions



Pieces / box



Qty / pallet


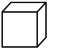
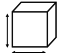





Boxes / pallet


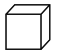
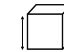





Pallet dimensions



U-PAD RUBBER PROTECTION

Code	 Weight of pedestal / accessory	pcs 		Weight of box + pedestal / accessory	boxes 	 pcs	
U-PAD 200x200x3 MM	0.095 kg	24	400 x 200 x 40 mm	2.05 kg	-	-	-
U-PAD 200x200x6 MM	0.175 kg	24	400 x 200 x 77 mm	4.05 kg	-	-	-
U-PAD 200x200x10 MM	0.280 kg	24	400 x 200 x 125 mm	7.20 kg	-	-	-
U-PAD 200x100x3 MM	0.047 kg	24	310 x 200 x 25 mm	1.18 kg	-	-	-
U-PAD 200x100x6 MM	0.140 kg	24	310 x 200 x 48 mm	2.45 kg	-	-	-
U-PAD 90x60x6 MM	0.026 kg	24	270 x 120 x 25 mm	0.66 kg	-	-	-
U-PAD 90x60x10 MM	0.043 kg	24	270 x 120 x 45 mm	1.01 kg	-	-	-

U-PAD GROUND AND U-TABS FLAT

Code	 Weight of pedestal / accessory	pcs 		Weight of box + pedestal / accessory	boxes 	 pcs	
U-PAD GROUND 3 MM	0.072 kg	24	400 x 200 x 40 mm	1.72 kg	-	-	-
U-PAD GROUND 6 MM	0.180 kg	24	400 x 200 x 77 mm	4.32 kg	-	-	-
U-PAD GROUND 10 MM	0.290 kg	24	400 x 200 x 125 mm	6.96 kg	-	-	-
U-TABS FLAT 2 MM	0.013 kg	120	400 x 290 x 150 mm	1.86 kg	130	15,600	100 x 120 x 220 cm
U-TABS FLAT 3 MM	0.014 kg	120	400 x 290 x 150 mm	1.98 kg	130	15,600	100 x 120 x 220 cm
U-TABS FLAT 4.5 MM	0.015 kg	120	400 x 290 x 150 mm	2.10 kg	130	15,600	100 x 120 x 220 cm

U-BRS SYSTEM

Code	 Weight of pedestal / accessory	pcs 		Weight of box + pedestal / accessory	boxes 	 pcs	
U-BRS-B-24 mm	2.74 kg	1	2400 x 65 x 18 mm	2.62 kg	196	196	240 x 57 x 55 cm
U-BRS-B-38-N mm	3.70 kg	1	2400 x 65 x 38 mm	3.70 kg	84	84	250 x 56 x 68 cm
U-BRS-TABS-N-2 mm-H17	0.005 kg	960	400 x 290 x 150 mm	4.40 kg	-	-	-
U-BRS-TABS-N-3 mm-H17	0.005 kg	960	400 x 290 x 150 mm	4.40 kg	-	-	-
U-BRS-TABS-N-4.5 mm-H17	0.005 kg	960	400 x 290 x 150 mm	4.40 kg	-	-	-
U-BRS-EPDM-2 MM	0.130 kg	85	525 x 525 x 250 mm	14.50 kg	-	-	-
U-BRS-STOP-N	0.006 kg	432	300 x 210 x 130 mm	2.80 kg	-	-	-
U-BRS-END-T-N	0.025 kg	130	300 x 210 x 130 mm	3.42 kg	-	-	-
U-BRS-END-B-N	0.015 kg	300	300 x 210 x 130 mm	4.55 kg	-	-	-
U-BRS-CONNECTOR-N	0.019 kg	250	300 x 210 x 130 mm	4.90 kg	-	-	-
U-BRS-VIS-N	0.001 kg	1000	100 x 90 x 90 mm	1.81 kg	-	-	-
U-BRS WOOD	2.26 kg	1	2400 x 65 x 18 mm	2.65 kg	196	196	240 x 57 x 55 cm
U-FIX-PLATE-1	0.055 kg	120	455 x 320 x 275 mm	7.27 kg	56	6,720	100 x 120 x 220 cm
U-FIX-PLATE-5	0.082 kg	120	550 x 375 x 275 mm	10.64 kg	35	4,200	100 x 120 x 220 cm



Weight of pedestal / accessory



Weight of box + pedestal / accessory



Box dimensions



Pieces / box



Qty / pallet



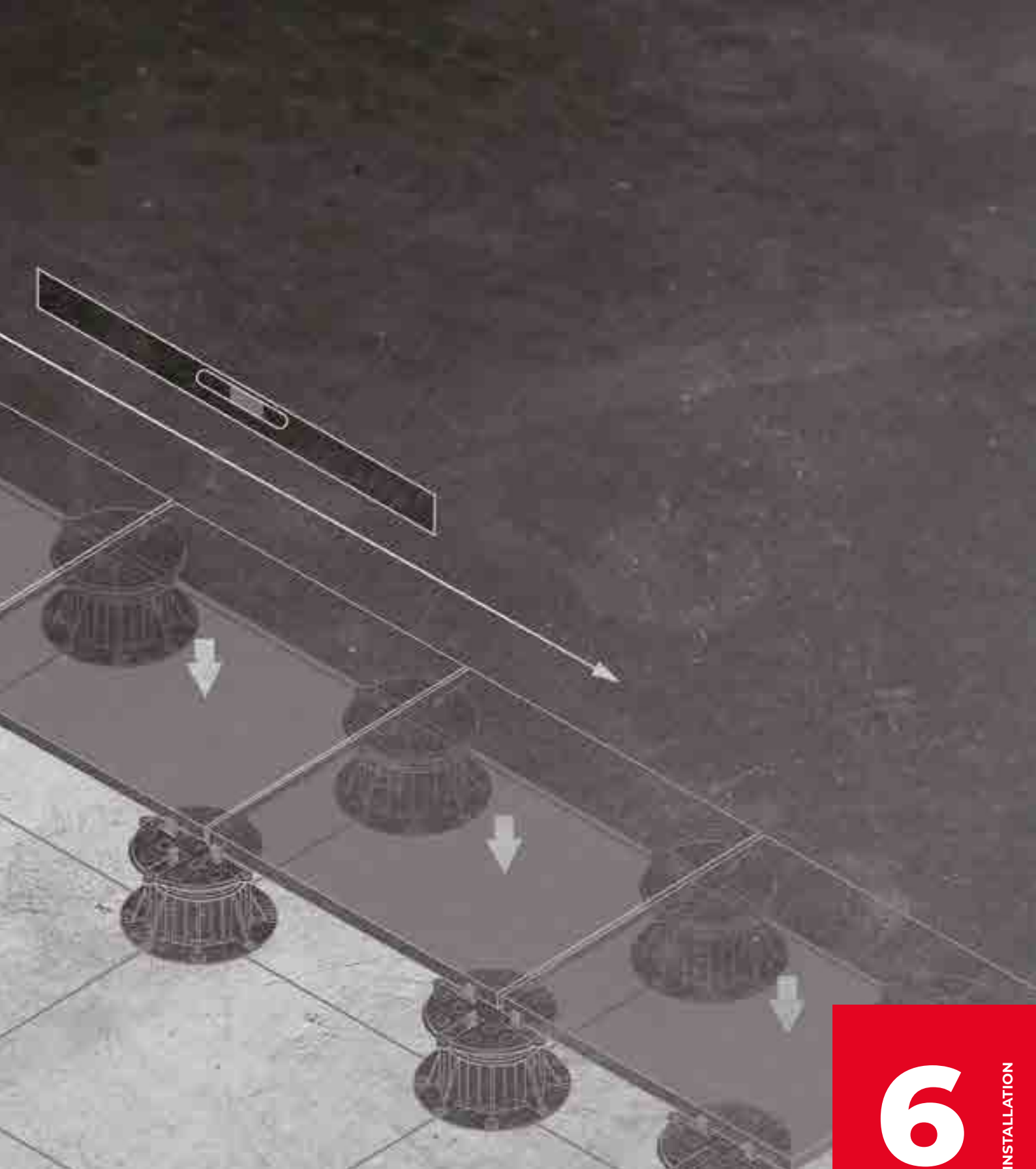
Boxes / pallet



Pallet dimensions







6

INSTALLATION

Technical and Installation

Technical information and use

STANDARD SYSTEM / PEDESTALS

AVERAGE NUMBER OF PEDESTALS PER m²

Dimensions and surface area of the terrace	20 m ²	50 m ²	100 m ²	1 000 m ²
Length	5	10	10	50
Width	4	5	10	20
Paver format	Pedestals / m ²	Pedestals / m ²	Pedestals / m ²	Pedestals / m ²
40 x 40 cm	7.70	7.28	6.76	6.43
50 x 50 cm	4.95	4.62	4.41	4.14
60 x 60 cm	4.00	3.60	3.24	2.94
75 x 75 cm	4.90	4.36	4.21	3.71
80 x 80 cm	4.15	4.06	3.65	3.24
90 x 90 cm	6.00	5.76	5.76	5.15
100 x 100 cm	4.95	4.62	4.41	4.14
120 x 30 cm	7.50	6.48	6.30	5.78
120 x 40 cm	5.50	5.04	4.68	4.34
120 x 60 cm	4.00	3.60	3.24	2.98
90 x 45 cm	6.00	5.76	5.76	5.15

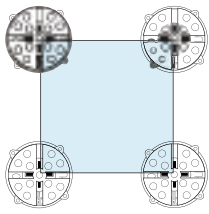
The use of pedestals is recommended for pavers of minimum 30 x 30 cm, in agreement with the tile setter. For the laying of non-square pavers, the amount of pedestals used varies according to their place under the pavers. This information is given as an indication, the consumption varying according to the specificities of each project.

Buzon® cannot be held responsible for variations in quantities.

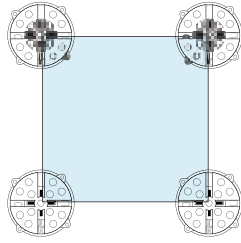
We advise the use of our pedestal calculator for more details.
Go to: www.buzon-calculator-dph.com



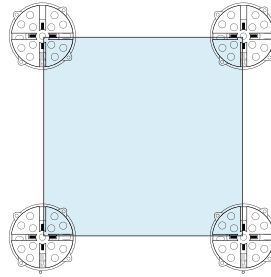
RECOMMENDED POSITIONS OF THE PEDESTALS UNDER THE PAVERS



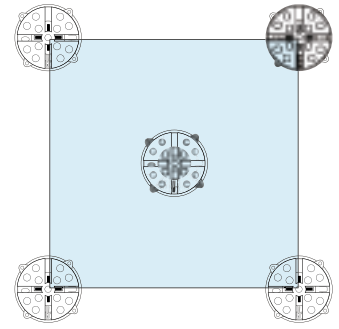
40 x 40 cm



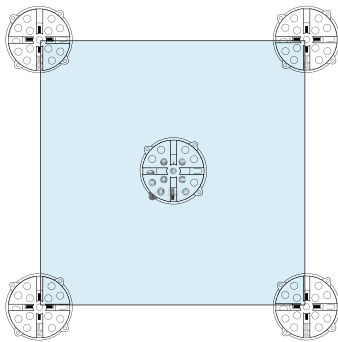
50 x 50 cm



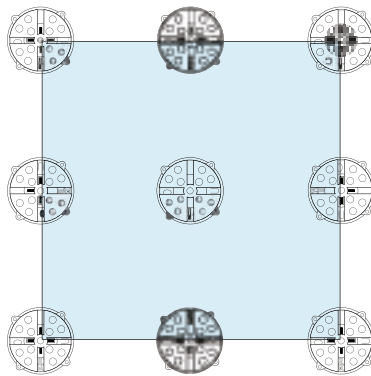
60 x 60 cm



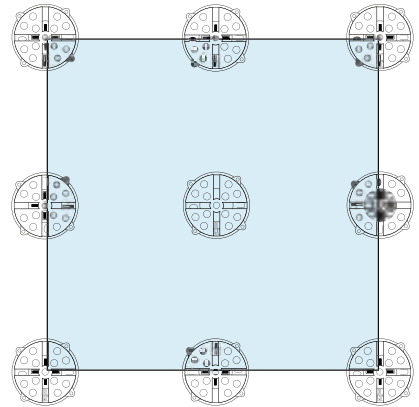
75 x 75 cm



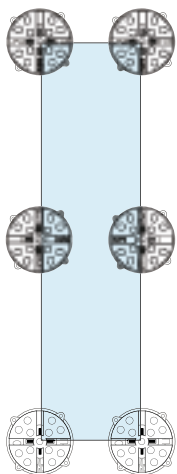
80 x 80 cm



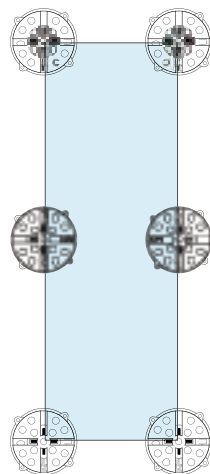
90 x 90 cm



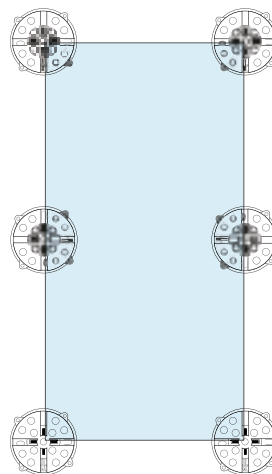
100 x 100 cm



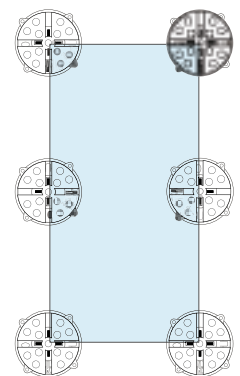
120 x 30 cm



120 x 40 cm



120 x 60 cm



90 x 45 cm

Technical information and consumption of pedestals

U-BRS / PEDESTAL SYSTEM

AVERAGE QUANTITY OF JOISTS, PEDESTALS AND ACCESSORIES (joist centre distance 60 cm) **B**

Dimensions and surface area of the laying plan	10 m ²	50 m ²
Length	5 m	10 m
Width	2 m	5 m
Quantity of	pcs/m ²	pcs/m ²
U-BRS-24 / U-BRS-38	0.8	0.7
U-BRS EPDM 2 mm	1.6	1.4
U-BRS-TABS-N		
20 x 120 cm pavers	9.4	9.1
30 x 120 cm pavers	6.2	6.0
40 x 120 cm pavers	4.6	4.5
60 x 120 cm pavers	3.6	3.3
120 x 120 cm pavers	0.6	0.4
U-BRS-STOP-N	1.2	0.8
Pedestals (centre distance 60 cm) A	4.00	3.4
Pedestals (centre distance 80 cm) A	3.2	2.8

AVERAGE QUANTITY OF JOISTS, PEDESTALS AND ACCESSORIES (joist centre distance 40 cm) **B**

Dimensions and surface area of the laying plan	10 m ²	50 m ²
Length	5 m	10 m
Width	2 m	5 m
Quantity of	pcs/m ²	pcs/m ²
U-BRS-24 / U-BRS-38	1.2	1.1
U-BRS EPDM 2 mm	2.4	2.2
U-BRS-TABS-N		
20 x 120 cm pavers	11.3	11.0
30 x 120 cm pavers	7.5	7.2
40 x 120 cm pavers	5.5	5.4
80 x 80 cm pavers	2.4	1.9
60 x 120 cm pavers	4.3	4.0
U-BRS-STOP-N	1.2	0.8
Pedestals (centre distance 60 cm) A	6.0	4.9
Pedestals (centre distance 80 cm) A	4.8	4.1

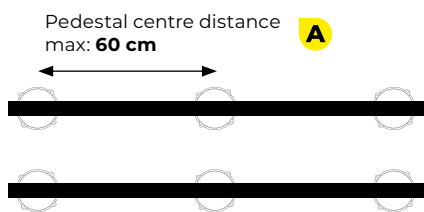
AVERAGE QUANTITY OF JOISTS, PEDESTALS AND ACCESSORIES (joist centre distance 45 cm) **B**

Dimensions and surface area of the laying plan	10 m ²	50 m ²
Length	5 m	10 m
Width	2 m	5 m
Quantity of	pcs/m ²	pcs/m ²
U-BRS-24 / U-BRS-38	1.2	1
U-BRS EPDM 2 mm	2.4	2
U-BRS-TABS-N		
45 x 90 cm pavers	5.2	4.8
90 x 90 cm pavers	1.2	1.0
U-BRS-STOP-N	1.3	1.0
Pedestals (centre distance 60 cm) A	5.5	4.6
Pedestals (centre distance 80 cm) A	4.4	3.7

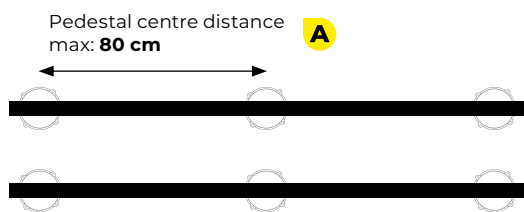
AVERAGE QUANTITY OF JOISTS, PEDESTALS AND ACCESSORIES (joist centre distance 50 cm) **B**

Dimensions and surface area of the laying plan	10 m ²	50 m ²
Length	5 m	10 m
Width	2 m	5 m
Quantity of	pcs/m ²	pcs/m ²
U-BRS-24 / U-BRS-38	1	0.9
U-BRS EPDM 2 mm	2	1.8
U-BRS-TABS-N		
50 x 50 cm pavers	5.6	4.8
50 x 100 cm pavers	2.6	2.4
100 x 100 cm pavers	1.0	0.8
U-BRS-STOP-N	1.0	0.8
Pedestals (centre distance 60 cm) A	5.0	4.2
Pedestals (centre distance 80 cm) A	4.0	3.3

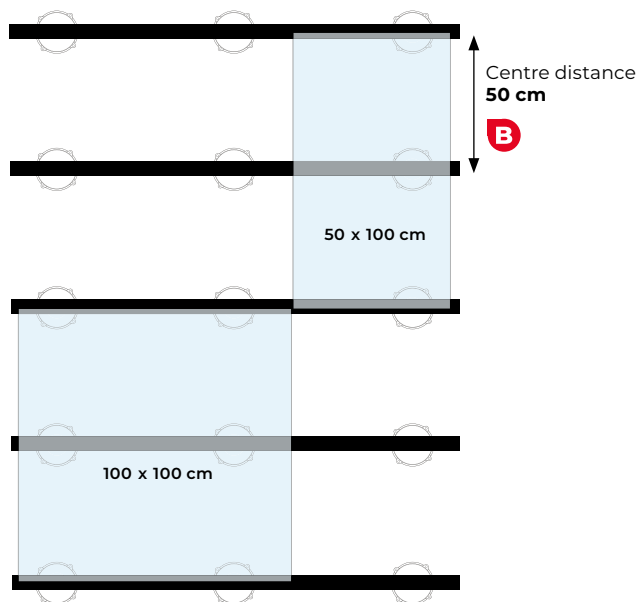
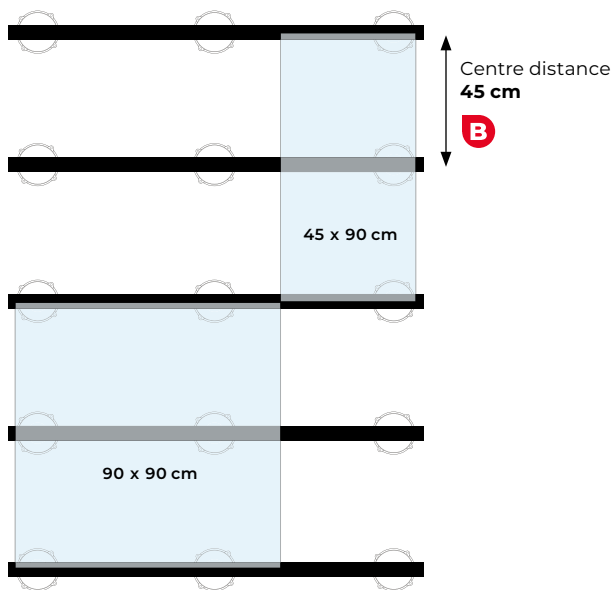
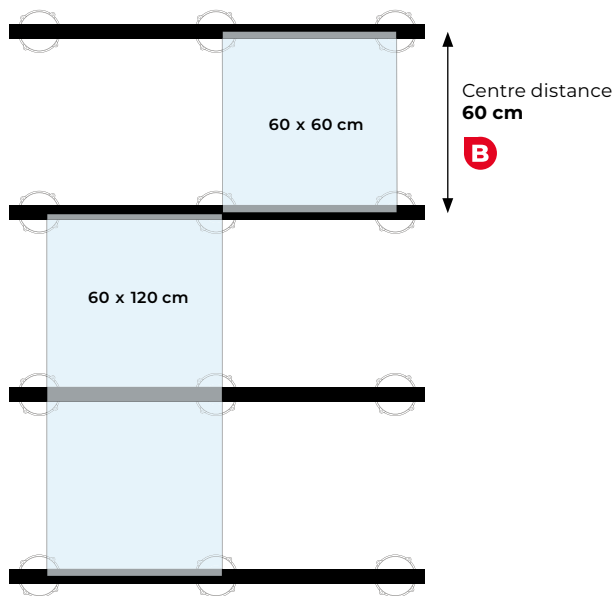
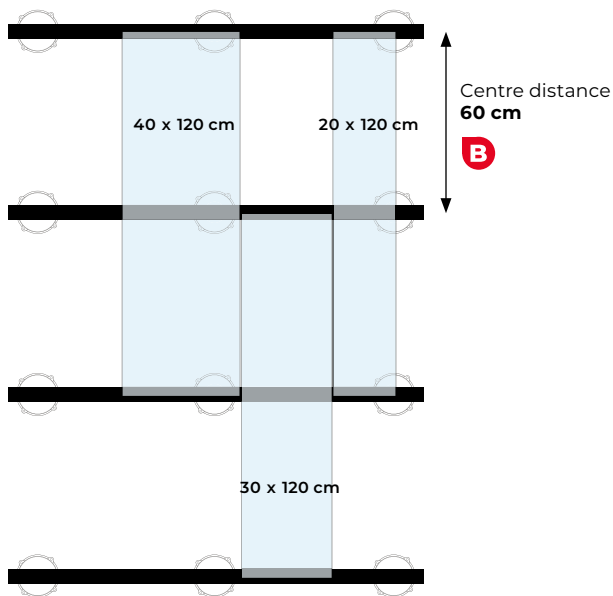
POSITION OF THE PEDESTALS UNDER U-BRS-24 mm



POSITION OF THE PEDESTALS UNDER U-BRS-38 mm



POSITION OF THE U-BRS JOISTS



For laying down "parquet", please contact our technical department.



Technical information and use

U-BRS-WOOD / PEDESTAL SYSTEM

AVERAGE QUANTITY OF JOISTS, PEDESTALS AND ACCESSORIES (joist centre distance 25 cm) **B**

Dimensions and surface area of the laying plan	10 m ²	50 m ²
Length	5 m	10 m
Width	2 m	5 m
Quantity of	pcs/m ²	pcs/m ²
U-BRS-18	2	1.8
Pedestals (centre distance 60 cm) A	10	8.4

AVERAGE QUANTITY OF JOISTS, PEDESTALS AND ACCESSORIES (joist centre distance 30 cm) **B**

Dimensions and surface area of the laying plan	10 m ²	50 m ²
Length	5 m	10 m
Width	2 m	5 m
Quantity of	pcs/m ²	pcs/m ²
U-BRS-18	1.6	1.4
Pedestals (centre distance 60 cm) A	8	6.8

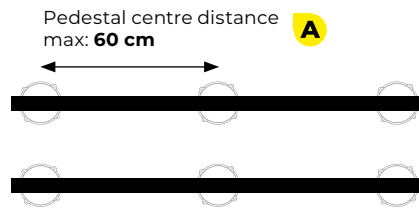
AVERAGE QUANTITY OF JOISTS, PEDESTALS AND ACCESSORIES (joist centre distance 40 cm) **B**

Dimensions and surface area of the laying plan	10 m ²	50 m ²
Length	5 m	10 m
Width	2 m	5 m
Quantity of	pcs/m ²	pcs/m ²
U-BRS-18	1.2	1.1
Pedestals (centre distance 60 cm) A	6	4.9

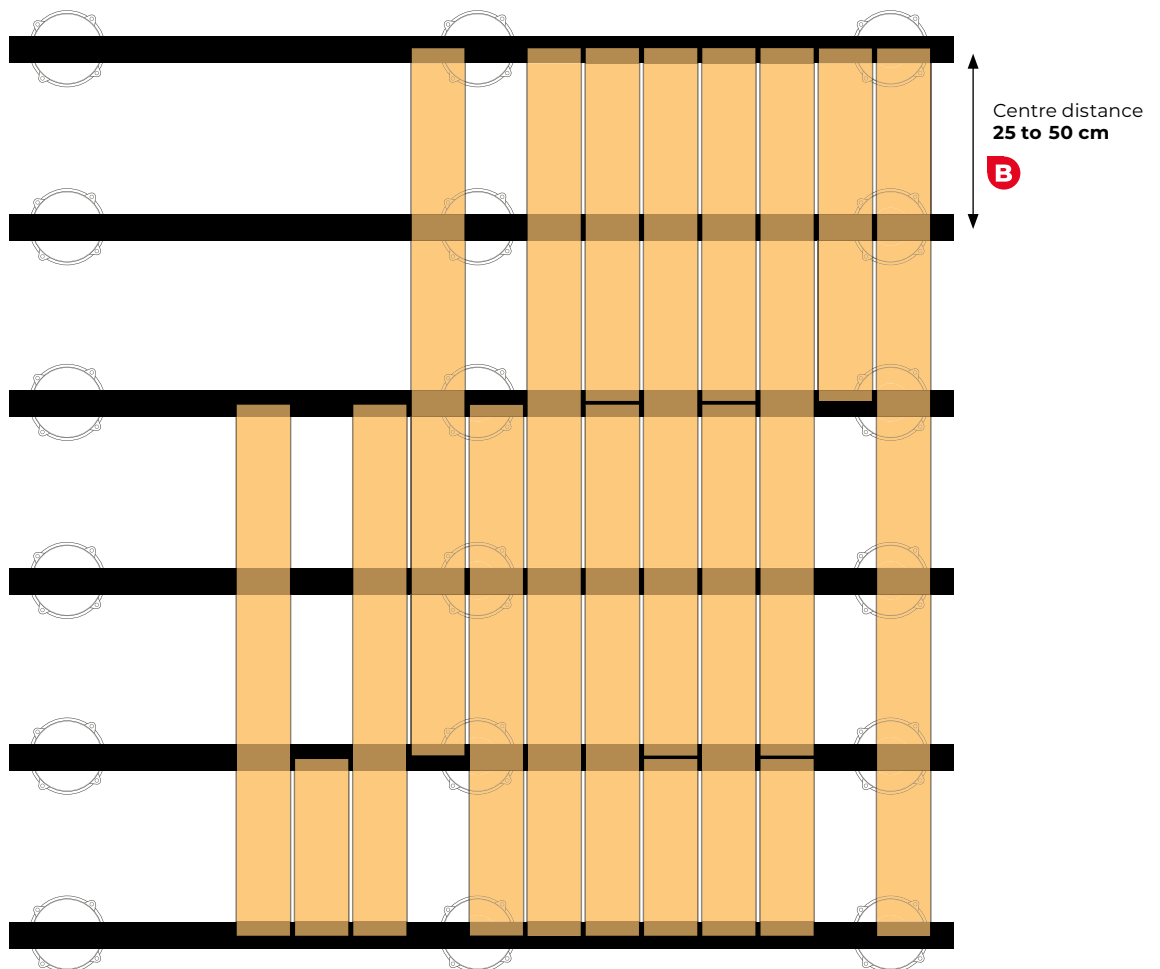
AVERAGE QUANTITY OF JOISTS, PEDESTALS AND ACCESSORIES (joist centre distance 50 cm) **B**

Dimensions and surface area of the laying plan	10 m ²	50 m ²
Length	5 m	10 m
Width	2 m	5 m
Quantity of	pcs/m ²	pcs/m ²
U-BRS-18	1	0.9
Pedestals (centre distance 60 cm) A	5	4.2

POSITION OF PEDESTAL IN U-BRS-18 mm



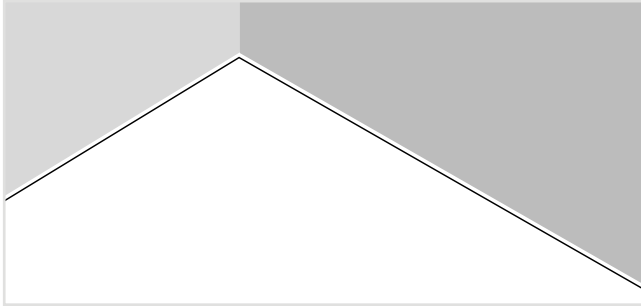
POSITION OF THE U-BRS WOOD JOISTS



Installation tips

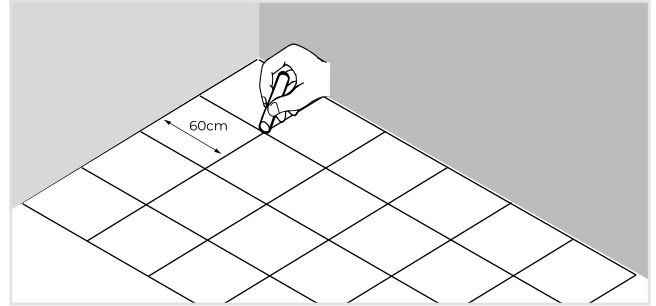
HOW TO START A TERRACE ON PEDESTALS?

1 TERRACE PREPARATION



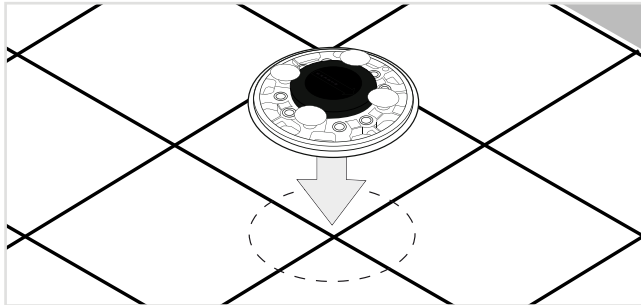
The laying of pedestals needs to be on a stable substrate and the area needs to be clear of any bulky objects.

2 LAYOUT

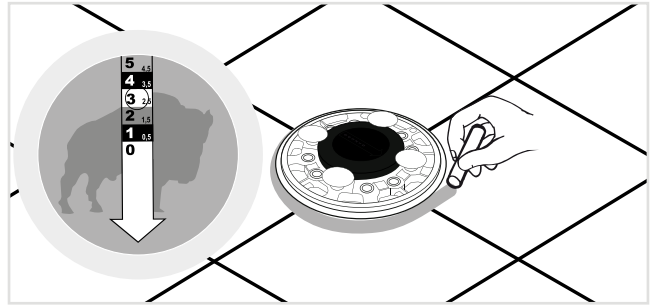


Mark the layout of the paving on the substrate with chalk to ensure installation of the pedestals in the correct location (e.g. pavers: 60 x 60 cm).

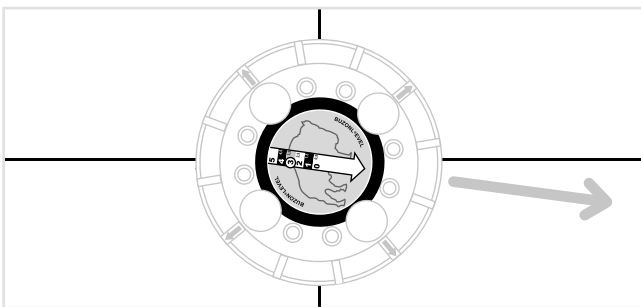
3 DETERMINE THE VALUE AND DIRECTION OF THE SUPPORT SLOPE (if necessary)



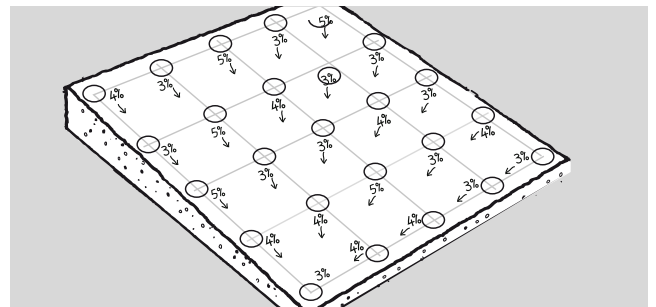
To determine the value and direction of the slope, position the Buzon level at an intersection.



Orientate the Buzon level to align the bubble with the arrow and draw a circle.



The bubble indicates the value of the slope in %. The alignment of the numbers indicates the direction of the slope to be straightened. Draw the arrow and the number on the ground. Example 3%.

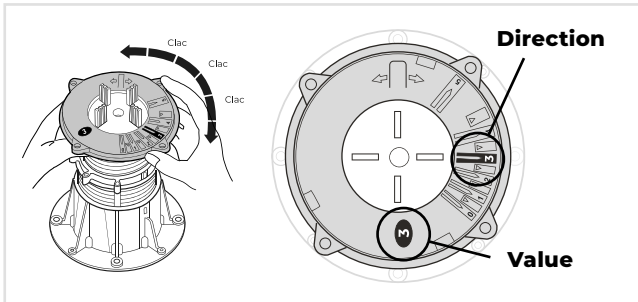


Repeat at each crossing. The percentage and direction may vary on each circle depending on soil unevenness.

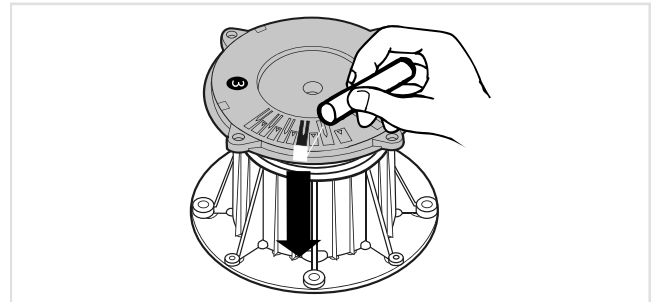
Prolonged exposure of the Buzon level placed on the ground at a temperature above 25°C makes the bubble disappear. Put the level in the shade!



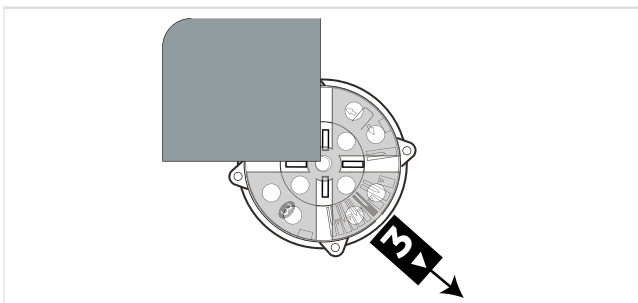
4 SLOPE CORRECTOR ADJUSTMENT



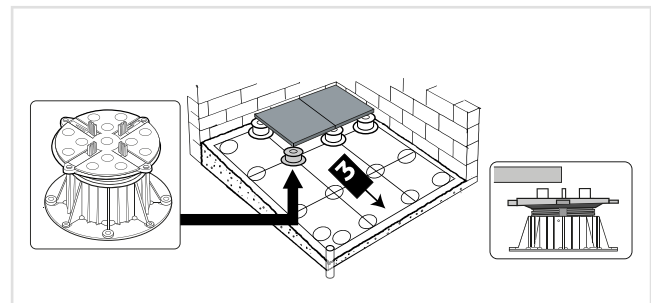
Set the corrector to the value of the slope. e.g. 3%



Mark the direction of the slope with chalk

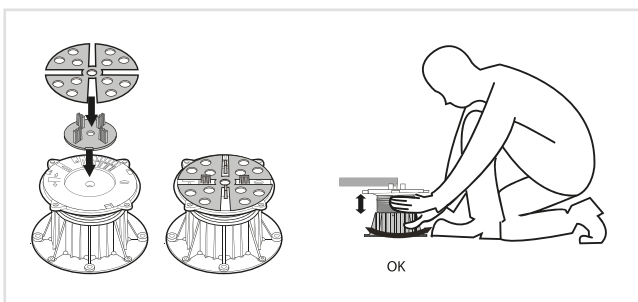


Direct the corrector in the direction of the slope



Place the pedestal under the paver.

5 ADJUSTMENT OF THE DPH PEDESTAL

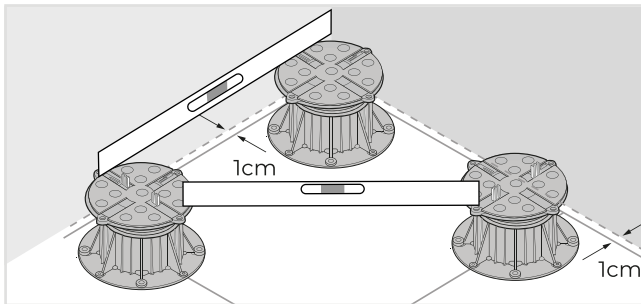


Adjust the pedestals to the desired height. Remove the spacer tabs according to the position under the paver and place a 2 mm leveller on each pedestal.

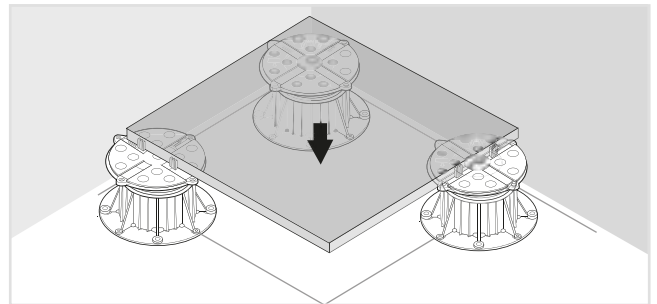
Laying tips

HOW TO START A TERRACE ON PEDESTALS?

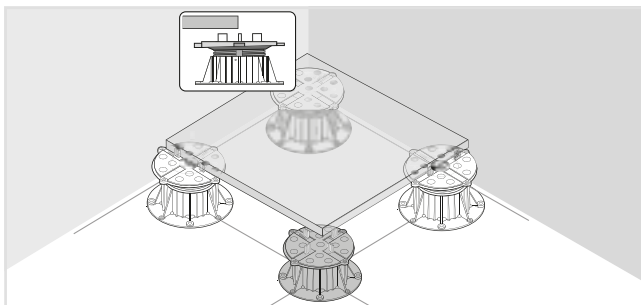
5 START A TERRACE ON PEDESTALS



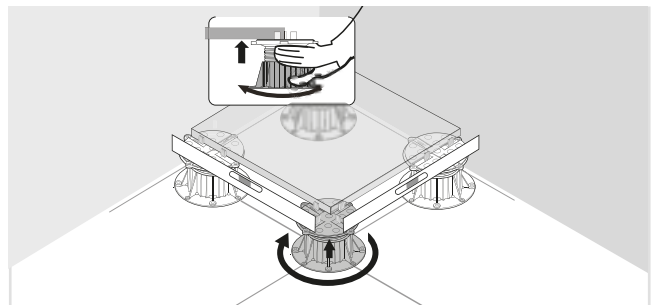
Place the first 3 pedestals. Check the level by adjusting the height of the pedestals.



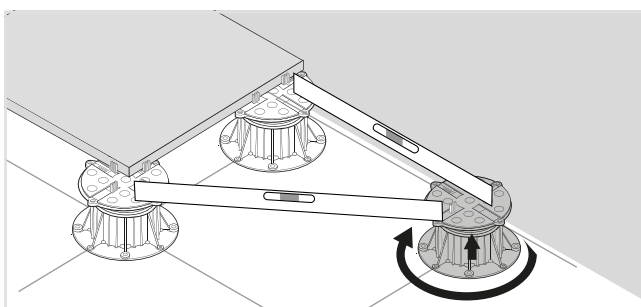
Place the first paver on the pedestals.



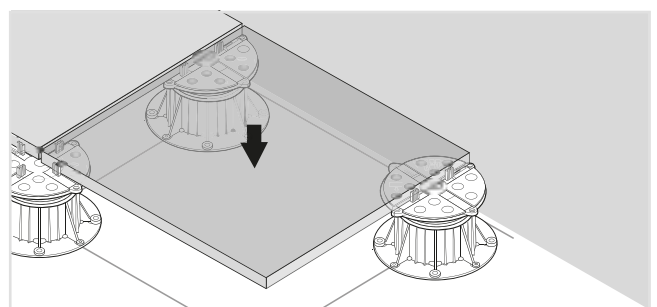
Place the fourth pedestal under the paver.



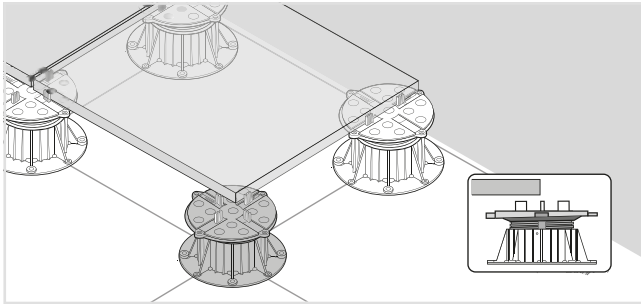
Adjust the height and level with respect to the other pedestals.



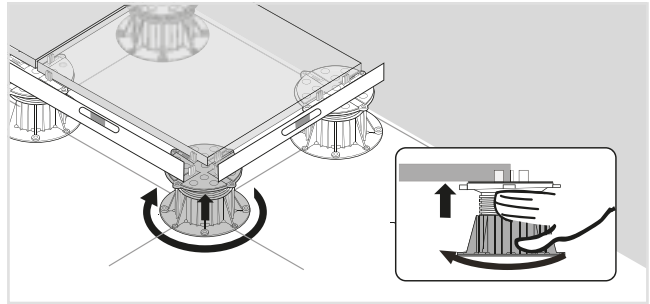
Place the next pedestal and adjust the level with respect to the other pedestals.



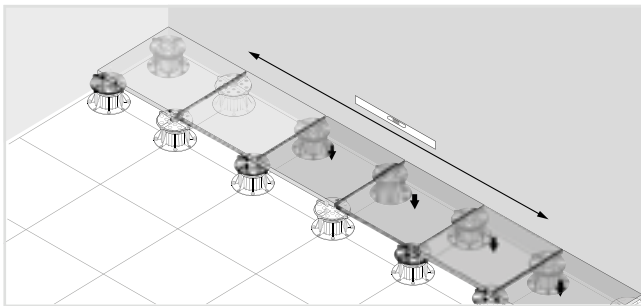
Place the next paver and repeat the operation.



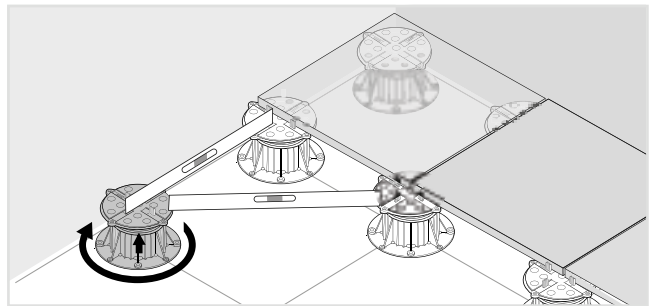
Place the next pedestal under the paver.



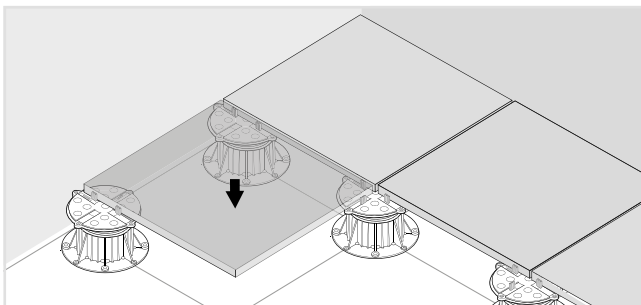
Adjust the height and level with respect to the other pedestals.



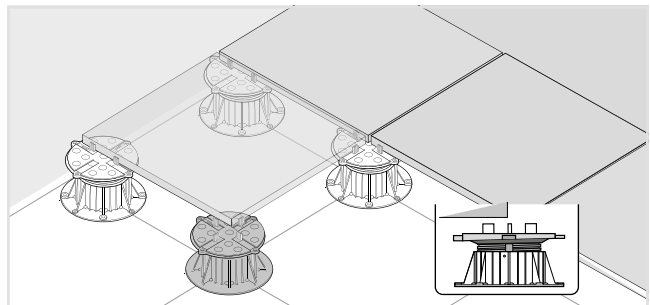
Check the flatness of the pavers on the first line of pavers.



To start the second row of pedestals place the new pedestal and check the level relative to the other pedestals.



Place the paver on the pedestals.



Place the pedestal under the paver, adjust the height and level with respect to the other pedestals...

Index

D

DPH-F17	p.24	DPH-5-PH5-NSC	p.26
DPH-F28	p.24	DPH-C2	p.26
DPH-1	p.24	DPH-C5	p.26
DPH-02	p.25	DPH-END	p.50
DPH-2	p.25	DPH-FASTENER	p.54
DPH-3	p.25	DPH-KIT-3	p.41
DPH-02-PH5	p.24	DPH-KIT-4	p.41
DPH-2-PH5	p.24	DPH-KIT-5	p.41
DPH-3-PH5	p.24	DPH-PH5	p.36
DPH-4-PH5	p.24	DPH-TABS 2MM H25	p.37
DPH-5-PH5	p.24	DPH-TABS 4,5MM H25	p.33
DPH-6-PH5	p.24	DPH-TABS 6MM H25	p.33
DPH-7-PH5	p.24	DPH-TABS 8MM H25	p.33
DPH-8-PH5	p.25	DPH-TABS 10MM H25	p.33
DPH-9-PH5	p.25	DPH-TABS 2MM H17	p.33
DPH-10-PH5	p.25	DPH-TABS 3MM H17	p.33
DPH-11-PH5	p.25	DPH-TABS 4,5MM H17	p.33
DPH-12-PH5	p.25	DPH-TABS 6MM H17	p.33
DPH-13-PH5	p.25		



U

U-BRS-24	p.60
U-BRS-38-N	p.60
U-BRS CONNECTOR-N	p.61
U-BRS-END-N	p.61
U-BRS-EPDM	p.61
U-BRS-TABS-N 2 mm	p.61
U-BRS-TABS-N 3 mm	p.61
U-BRS-TABS-N 4,5 mm	p.61
U-BRS-STOP-N	p.61
U-BRS-VIS-N	p.61
U-BRS-WOOD 18 mm	p.67
U-E10	p.32
U-E20	p.32
U-E10-EDGE	p.52
U-E10-WALL	p.51
U-EDGE	p.52-53
U-E20-EDGE	p.52
U-E20-WALL	p.51
U-FIX-PLATE 1	p.62-65
U-FIX-PLATE 5	p.62-65
U-KEY	p.29
U-KIT-SL-80	p.34

U-LD-3050	p.77
U-LD- 5065	p.78
U-PH5	p.37
U-SHIM 5MM	p.42
U-PAD	p.44-45
U-PAD GROUND 3 mm	p.46-47
U-PAD GROUND 6 mm	p.46-47
U-PAD GROUND 10 mm	p.46-47
U-TABS 2 mm	p.52
U-TABS 3 mm	p.52
U-TABS 4,5 mm	p.52
U-TABS FLAT 2 mm	p.46-47
U-TABS FLAT 3 mm	p.46-47
U-TABS FLAT 4,5 mm	p.46-47
U-TABS SPIKE 2 mm	p.48-49
U-TABS SPIKE 3 mm	p.48-49
U-TABS SPIKE 4,5 mm	p.48-49
U-WALL	p.51
U-WASHER 35 mm	p.55
U-WASHER 50 mm	p.55
U-WASHER VIS	p.55





ARCHE DE LA DÉFENSE
Paris / France

INTERNATIONAL COMMERCE CENTRE
Hong Kong / PRC



**“Buzon around
the world”**





TOKYO SKYTREE
Tokyo / Japan

TAIPEI 101
Taipei / Taiwan





SHEIKH ZAYED MOSQUE
Abu Dhabi / UAE

**BERLAYMONT BUILDING
(EUROPEAN COMMISSION)**
Brussels / Belgium





**LOUISE WEISS BUILDING
(EUROPEAN PARLIAMENT)**
Strasbourg / France

OVERSEAS PASSENGER TERMINAL
Sydney / Australia





Buzon Pedestal International s.a.

sales@buzon-world.com
www.buzon-world.com

All rights reserved. Any copy, reproduction, adaptation, distribution of this catalogue without the authorisation of Buzon Pedestal International is prohibited and will be punished. Buzon Pedestal International reserves the right to modify, add or complete this catalogue at any time without prior notice.