



www.buzonuk.com

The DPH pedestal

The DPH range

The strong and hard-wearing DPH pedestal is the eldest member of Buzon® pedestal family. With their adjustable height of 18 to 1070 mm, adjustment ring and PH5 integrated slope corrector (up to 5%), they are the ideal support for use in public spaces or on major construction projects.

The DPH pedestal maintains its strength and stability even under heavy and frequent use. Thanks to its reinforced structure, it is particularly recommended for use with heavier floor finishes such as large-format concrete slabs.

COMPOSITION

1 TOP OF THE PEDESTAL

The top of the pedestal is screwed directly onto the base, or onto the couplers. The top has a diameter of 155 mm and can be fitted with various components to support differing surfaces.

2 COUPLERS

Couplers are used when the height of the pedestal must exceed 175 mm. Locking keys on either side allow for mechanical bracing, providing enhanced stability when the height exceeds 600 mm.

3 BASE

The base can be simply positioned or fixed to any substrate. It has 8 fixing holes for screws or bolts. The head, adjustment ring and base have a safety

feature, to prevent the top or sleeve from unscrewing. Base diameter 200 mm, surface area 314 cm².

4 SLOPE CORRECTOR (0-5%)

The slope corrector (0 to 5%) is built into the head of pedestals DPH-02-PH5 to DPH-13-PH5 and allows precise adjustment in increments of 0.5%

5 LOCKING KEYS

These keys lock the pedestal at the required height.



FEATURE

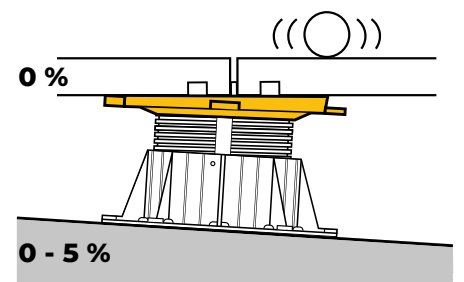
THE «UPSIDE DOWN» SYSTEM

If the application requires a larger support surface, for example near walls and vertical upstands, the DPH-02-PH5 to DPH-13-PH5 pedestal models can also be used in the inverted position.



Integrated slope corrector


For the DPH range of pedestals, starting from DPH-02-PH5, the slope corrector is incorporated into the head of the pedestal. It can compensate for a slope of 0 to 5% with precise adjustment in increments of 0.5%.



Pedestals without slope corrector





Pedestals with the possibility to attach slope corrector on top

+9 mm  With the PH5 slope corrector, the additional height is 9 mm.



Adjustable pedestals with slope corrector integrated



 Non adjustable  Adjustable



DPH-C2
H: +75 mm to +116 mm

DPH-C5
H: + 182 mm to 225mm



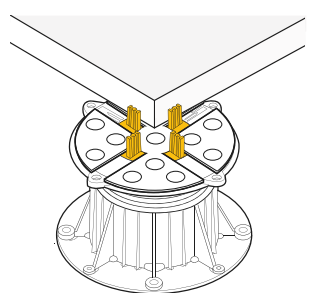
U-PAD



BSW Regupol:
Acoustic Insulation up to 37dB.

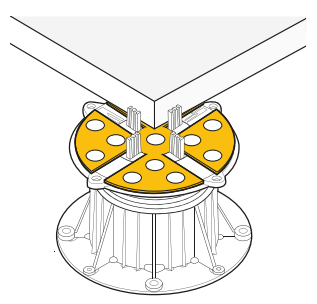
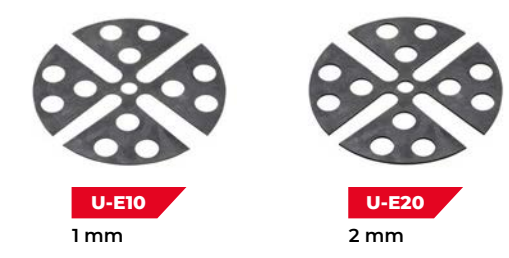
Spacer tabs

The spacer tabs are available in various thicknesses : 2mm,3mm,4.5mm,6mm,8mm and 10mm, and provide proper alignment of the pavers, placed on top of the Buzon pedestal.



Shims

The shim (U-E10 or U-E20) is a 1 or 2 mm clover-shaped leveller. It stabilises the paver, provides additional acoustic comfort, and compensates for variations in paver thickness.



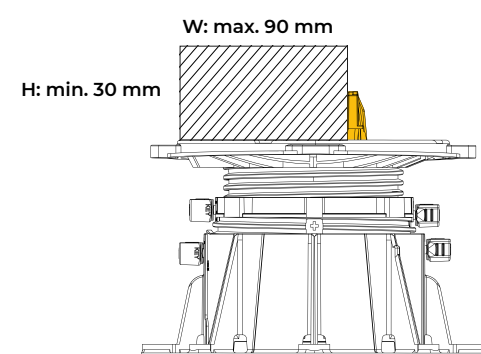


Batten Holder

The fixed and universal supports for joists are fixed in place using our plug-in system on the Buzon® pedestals in the DPH range. They firmly hold the joists supporting the deck boards.

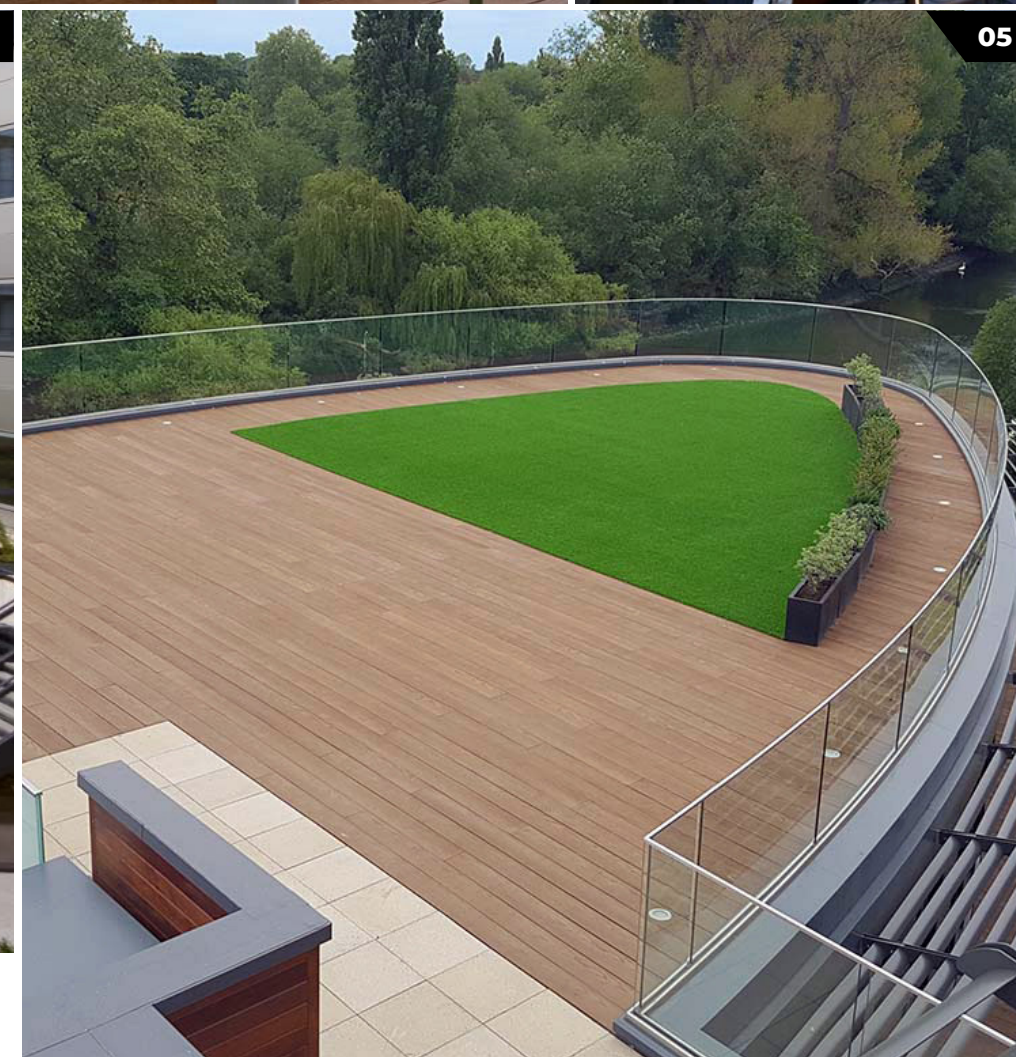


DPH-KIT-5
Universal



ADVANTAGES OF THE PEDESTALS

- **ALLOWS FOR POSITIVE DRAINAGE**
- **QUICK AND EASY INSTALLATION**
- **HIGH STABILITY THANKS TO A LARGE PEDESTAL HEAD**
- **EASY AND PRECISE SLOPE CORRECTION UP TO 5%**
- **DOES NOT HARM WATERPROOFING MEMBRANE**
- **EASY ACCESS TO WATERPROOFING MEMBRANE**
- **BETTER THERMAL AND SOUND INSULATION**
- **PROVIDES A SUSTAINABLE SOLUTION**
- **SUPPORTS LARGE LOADS**
- **ABILITY TO CONCEAL SERVICES SUCH AS ELECTRICAL, PLUMBING ETC.**



- 01** **Balau Decking**
Star & Garter, Richmond
- 02** **Grad Decking**
Royal Opera House, London
- 03** **Anvil and Alsek Pavers**
Triplets, Kings Cross, London
- 04** **Natural Stone Pavers**
White City Place, London
- 05** **Composite Decking**
Kew Bridge, London

Range of applications



Tel: + 44 (0)20 8614 0874
sales@buzonuk.com
www.buzonuk.com