

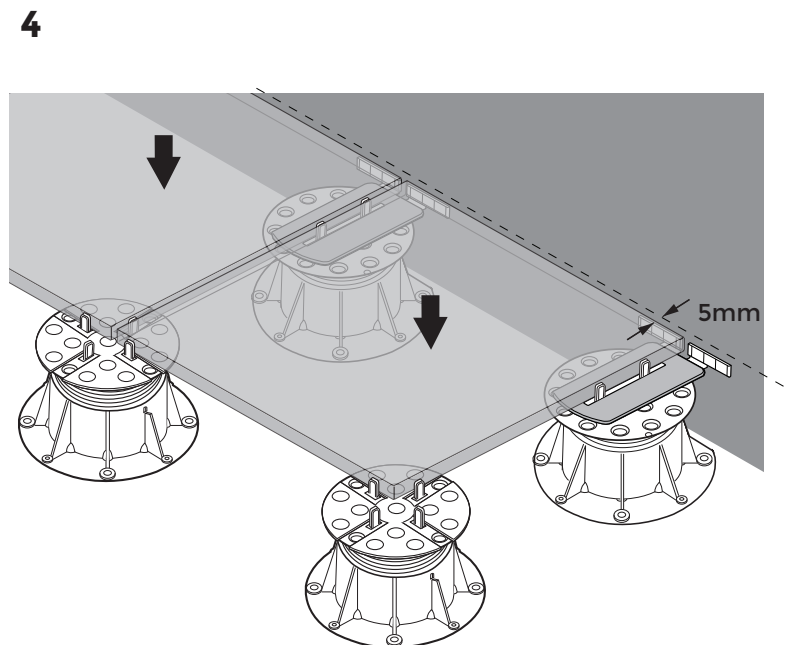
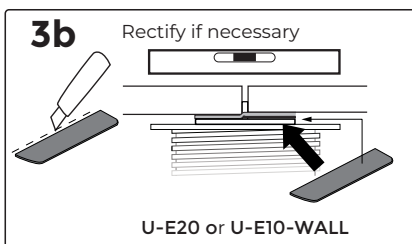
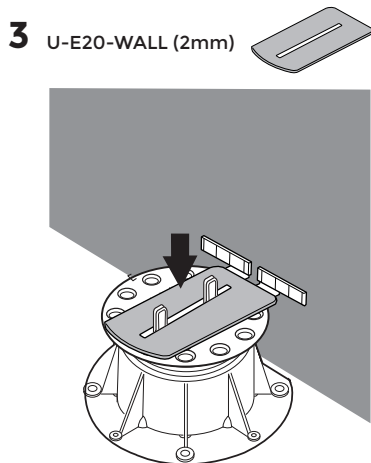
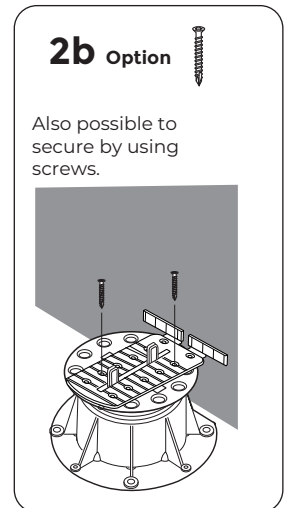
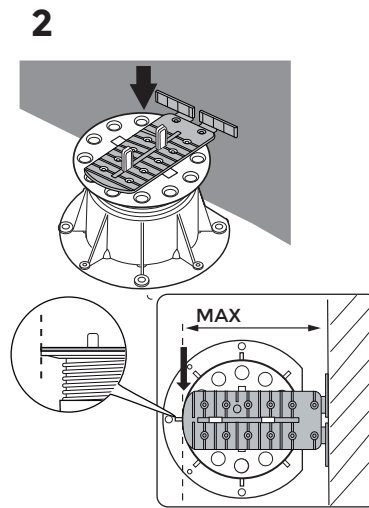
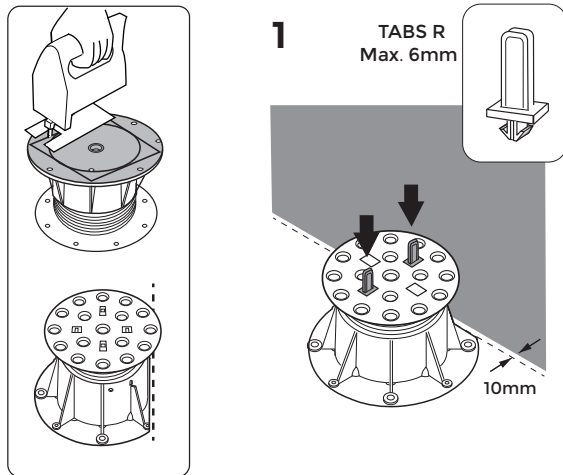
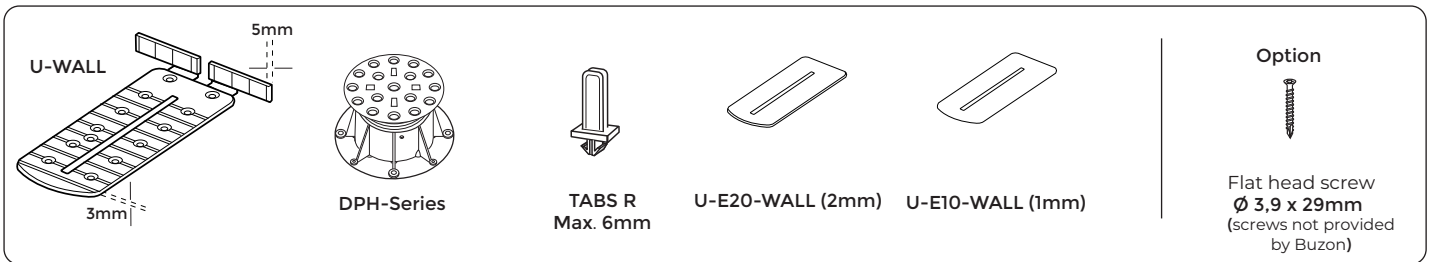


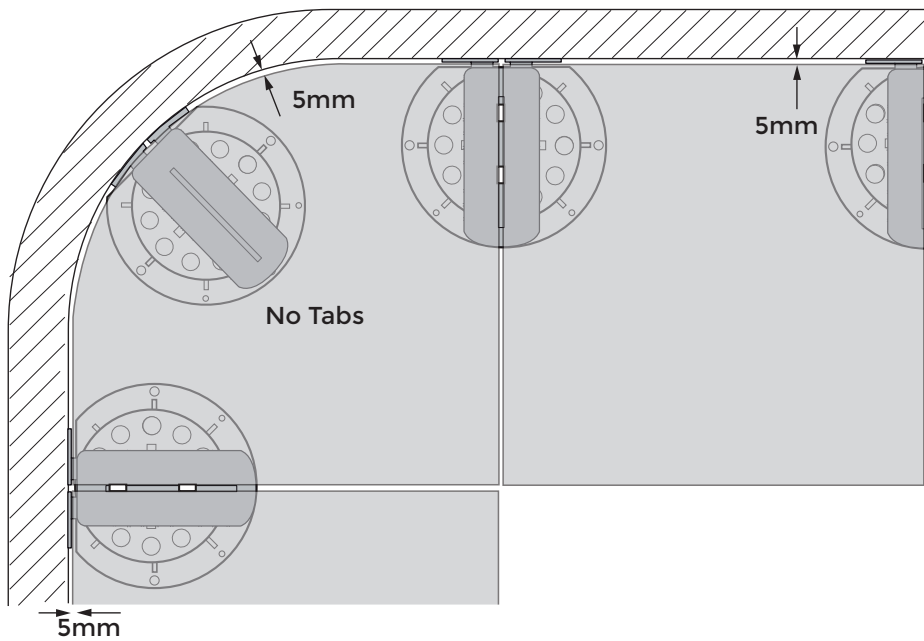
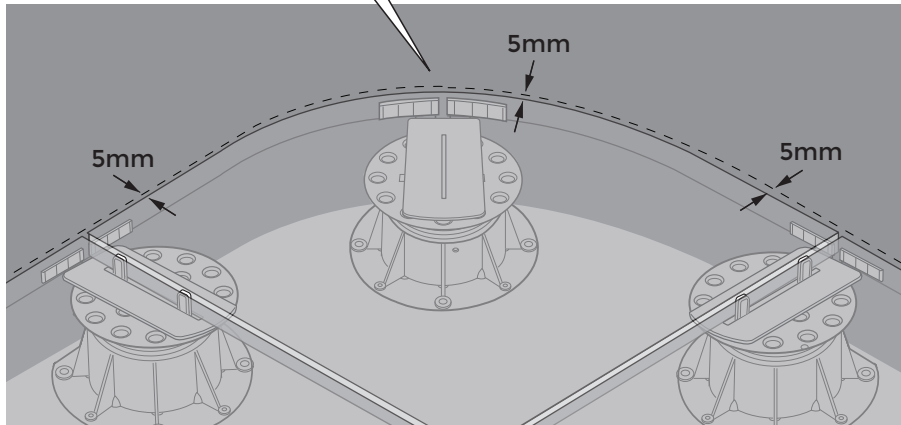
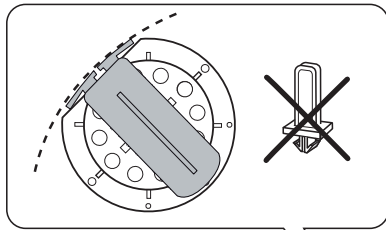
U-WALL Tile Support at a wall's edge

BC-Series

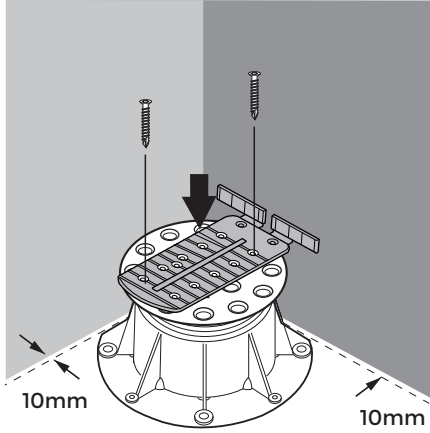
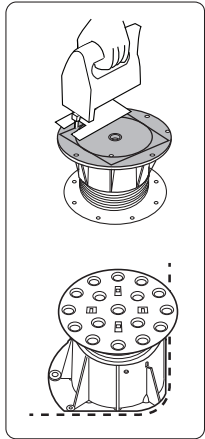
p.1/3

©copyright, 2018, BUZON PEDESTAL INTERNATIONAL

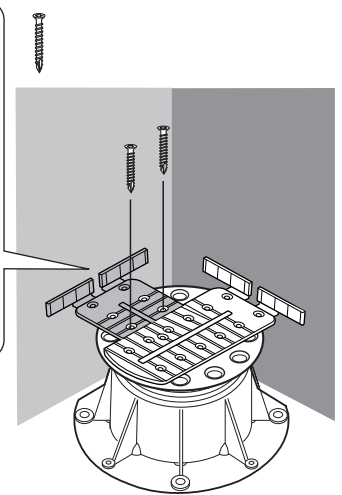
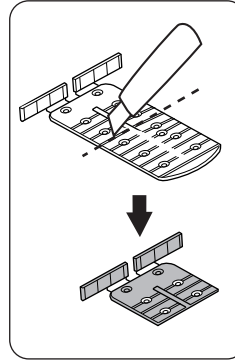




1 



2



3 U-E20 wall shim (2mm)

