



www.buzonuk.com



Technical Data Sheet-BC

BC-7 Adjustable from 230 to 360 mm

COMPONENTS

BC-7 is composed of 3 pieces:
BC-5-NSC (top+ base) + 1 BC-C3 coupler.
 All units are built together to get one full product

CHARACTERISTICS

Top: \varnothing 145 mm, 165 cm²
 Base: \varnothing 200 mm, 314 cm²
 Weight: **0,894 kg**
 Height adjustable from **230 to 360 mm**
 With addition of BC-PH5 slope corrector, the BC-7 is adjustable in height from **244 to 374 mm** and slope from **0 to 5%**.

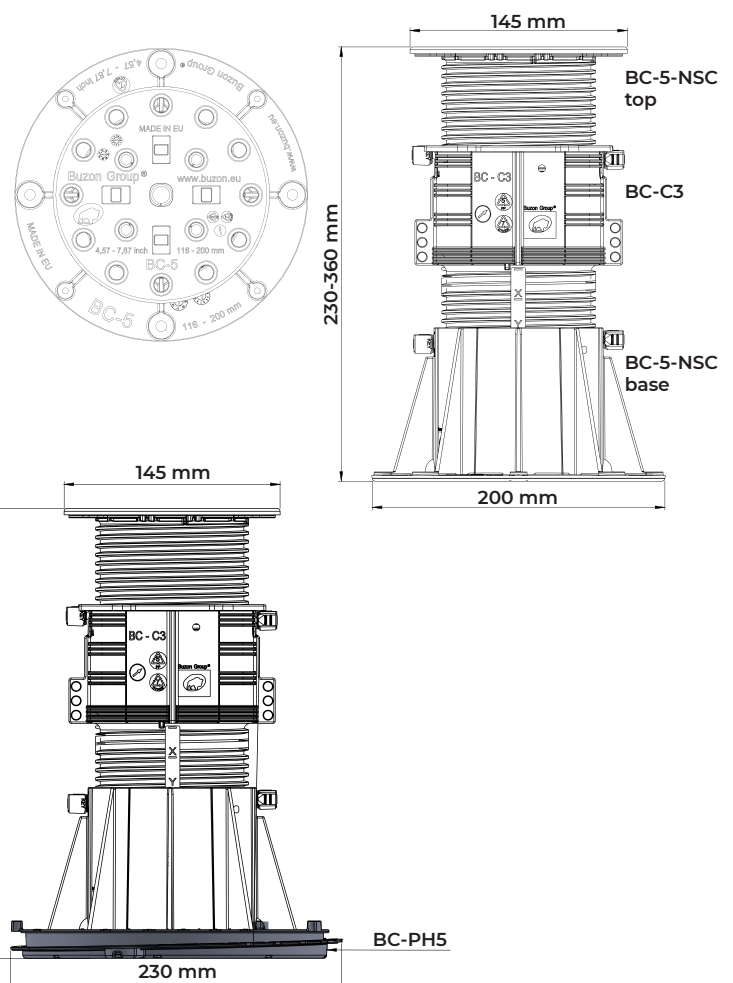
MATERIAL

Copolymer polypropylene (CPP)
 Composition: **+/- 80%** first grade pre-selected recycled PPC, and **+/- 20%** Talc + Masterbatch black
 Designed and manufactured in Europe.
 Use of recycled materials exclusively of EU origin.
 Resistant to weathering, sea salts, algae and a wide range of chemicals.
 Temperature range: **-30°C to + 80°C**

PACKAGING

1x Packaging BC-5-NSC (top + base)

Pieces per carton: **24 pcs**
 Carton weight: **15,04 kg**
 Carton dimension: **600 x 400 x 600 mm**
 Cartons per pallet: **15 pcs**
 Pieces per pallet: **360 pcs**
 Pallet dimensions: **100 x 120 x 220 cm**



1x Packaging BC-C3

Pieces per carton: **48 pcs**
 Carton weight: **17,60 kg**
 Carton dimension: **600 x 400 x 600 mm**
 Cartons per pallet: **15 pcs**
 Pieces per pallet: **720 pcs**
 Pallet dimensions: **100 x 120 x 220 cm**

APPLICATIONS

Buzon pedestals can be used for a wide range of outdoor applications, such as terraces, pool decks and water features, in landscape areas and on rooftops. Finishing materials can be freely specified by the designer.

Accessories are available for applications with various outdoor finishes, such as granite stone pavers, composite/timber decking, ceramic tiles and fibreglass or metal grating panels. Buzon pedestals can be installed on a wide range of solid and stable substrates, such as concrete slabs, cement screeds, waterproof membranes and insulation panels.

Rectangular Tabs



Height: 17 mm

Thickness: 3 and 4.5mm



Height: 25 mm

Thickness: 2, 4.5, 6, 8 and 10mm

Circular Tabs



Height: 17 mm

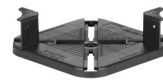
Thickness: 3 and 4.5mm



Height: 25 mm

Thickness: 2, 4.5, 6, 8 and 10mm

Batten Holder



Size of Joist 35-90 mm
Height adds 11 mm

Shims



U-E10 (T- 1MM)
U-E20 (T- 2MM)

COMPRESSION TEST*

Performed on the full (1/1), half (1/2) and quarter (1/4) surface of the head (1kN= 100 kg= 224,8 lbf)

Position	Height (mm)	Breaking load (kN)	Breaking load (lbf)
1/1	360	14,20 (1 420 kg)	3 196
1/2	360	11,80 (1 180 kg)	2 652
1/4	360	7,40 (740 kg)	1 663

* Tests carried out by SIRRIS

SAFETY INSTRUCTIONS

Buzon pedestals are designed to support external raised floors for pedestrian traffic only and are not designed to support or be subjected to moving and/or vibrating machinery & equipment, including maintenance, cleaning vehicles, automobiles and other similar equipment.

sales@buzonuk.com +44 (0)20 8614 0874

Buzon has a policy of continuous improvement and reserves the right to modify, revise or change the above specifications without notice. This brochure is for descriptive purpose only and is based on the product as on the date of publication of this information.