



www.buzonuk.com

Technical Data Sheet-BC

BC-11-INV Adjustable from 672 to 965 mm

COMPONENTS

BC-11-INV is composed of 7 pieces:

BC-5-NSC (top + base) + 1 BC-C4 inverter
+ 4 BC-C3 couplers.

All units are built together to get one full product.

CHARACTERISTICS

Top: \varnothing 145 mm, 165 cm²

Base: \varnothing 200 mm, 314 cm²

Weight: 2,175 kg

Height adjustable from 672 to 965 mm

With addition of BC-PH5 slope corrector, the BC-11-INV is adjustable in height from 686 to 979 mm and slope from 0 to 5%.

MATERIAL

Copolymer polypropylene (CPP)

Composition: +/- 80% first grade pre-selected recycled PPC, and +/- 20% Talc + Masterbatch black

Designed and manufactured in Europe

Use of recycled materials exclusively of EU origin

Resistant to weathering, sea salts, algae and a wide range of chemicals

Temperature range: -30°C to + 80°C

PACKAGING

1 x Packaging BC-5-NSC (top + base)

Pieces per carton: 24 pcs

Carton weight: 15,04 kg

Carton dimension: 600 x 400 x 600 mm

Cartons per pallet: 15 pcs

Pieces per pallet: 360 pcs

Pallet dimensions: 100 x 120 x 220 cm

1 x Packaging BC-C4

Pieces per carton: 48 pcs

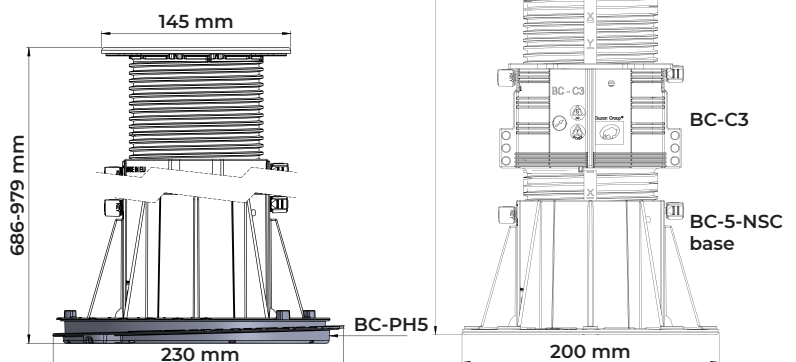
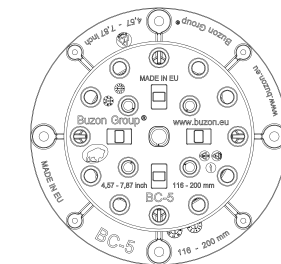
Carton weight: 14,65 kg

Carton dimension: 600 x 400 x 380 mm

Cartons per pallet: 25 pcs

Pieces per pallet: 1200 pcs

Pallet dimensions: 100 x 120 x 220 cm



4 x Packaging BC-C3

Pieces per carton: 48 pcs

Carton weight: 17,60 kg

Carton dimension: 600 x 400 x 600 mm

Cartons per pallet: 15 pcs

Pieces per pallet: 720 pcs

Pallet dimensions: 100 x 120 x 220 cm

APPLICATIONS

Buzon pedestals can be used for a wide range of outdoor applications, such as terraces, pool decks and water features, in landscape areas and on rooftops. Finishing materials can be freely specified by the designer.

Accessories are available for applications with various outdoor finishes, such as granite stone pavers, composite/timber decking, ceramic tiles and fibreglass or metal grating panels. Buzon pedestals can be installed on a wide range of solid and stable substrates, such as concrete slabs, cement screeds, waterproof membranes and insulation panels.

Rectangular Tabs



Height:
17 mm

Thickness:
3 and 4.5mm



Height:
25 mm

Thickness:
2, 4.5, 6, 8 and 10mm

Circular Tabs



Height:
17 mm

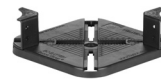
Thickness:
3 and 4.5mm



Height:
25 mm

Thickness:
2, 4.5, 6, 8 and 10mm

Batten Holder



Size of Joist
35-90 mm
Height adds 11 mm

Shims



U-E10 (T- 1MM)
U-E20 (T- 2MM)

COMPRESSION TEST*

Performed on the full (1/1), half (1/2) and quarter (1/4) surface of the head (1kN= 100 kg= 224,8 lbf)

Position	Height (mm)	Breaking load (kN)	Breaking load (lbf)
1/1	965	9,70 (970 kg)	2 180
1/2	965	8,40 (840 kg)	1 888
1/4	965	5,20 (520 kg)	1 169

* Tests carried out by SIRRIS

SAFETY INSTRUCTIONS

Buzon pedestals are designed to support external raised floors for pedestrian traffic only and are not designed to support or be subjected to moving and/or vibrating machinery & equipment, including maintenance, cleaning vehicles, automobiles and other similar equipment.

sales@buzonuk.com +44 (0)20 8614 0874

Buzon has a policy of continuous improvement and reserves the right to modify, revise or change the above specifications without notice. This brochure is for descriptive purpose only and is based on the product as on the date of publication of this information.