



www.buzonuk.com



Technical Data Sheet

BC-TAB-R-2mm H25 Rectangular Spacer Tab

COMPONENTS

The BC-TAB-R-2mm H25 is composed of 1 piece.

CHARACTERISTICS

Weight: 0,002 kg

Height: 25mm

MATERIAL

POM 100%

Designed and manufactured in Europe.

Resistant to weathering, sea salts, algae and a wide range of chemicals.

Temperature range: -30 °C to +80 °C

PACKAGING

Pieces per carton: 2400 pcs

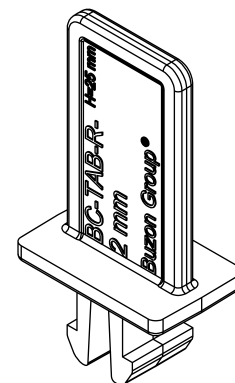
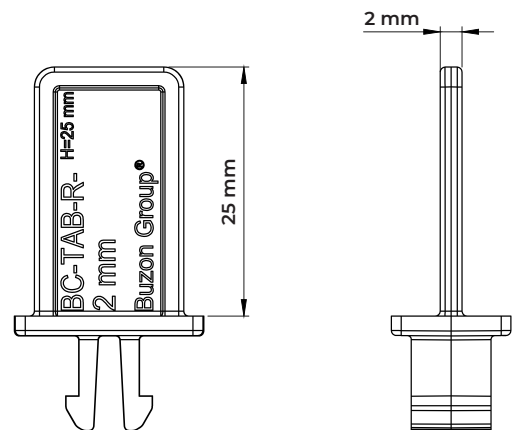
Carton weight: 5,62 kg

Carton dimension: 390 x 280 x 145 mm

Cartons per pallet: 130 pcs

Pieces per pallet: 312 000 pcs

Pallet dimensions: 100 x 120 x 220 cm



APPLICATIONS

The rectangular spacer tabs, BC-TAB-R, are fixed by pressure on the BUZON[®] pedestals of the BC range. The rectangular spacer tabs regulate the spacing between the pavers, ensure alignment and free water drainage.

The accessory is available for applications with various outdoor finishes, such as granite stone pavers, wood/ composite tiles, ceramic tiles and fibreglass or metal grating panels.

SAFETY INSTRUCTIONS

Buzon pedestals and accessories are designed to support external raised floors for pedestrian traffic only and are not designed to support or be subjected to moving and/or vibrating machinery & equipment, including maintenance, cleaning vehicles, automobiles and other similar equipment.