



www.buzonuk.com



Technical Data Sheet BC-FR

BC-5-FR (Fire Resistant)

Adjustable from 116 to 200 mm

COMPONENTS

BC-5-FR is composed of 2 pieces:

BC-Top + BC-Base

CHARACTERISTICS

Top: \varnothing 145 mm, 165 cm²

Base: \varnothing 200 mm, 314 cm²

Weight: 0,747 kg

Height adjustable from 116 to 200 mm

MATERIAL

Manufactured with Copolymer of Polypropylene (CPP) and fire retardant additives.

The fire-rated version of our Buzon BC-FR series of pedestals meets the European and the United Kingdom EN 13501 standard to achieve Bfl-S1 classification.

Classification: Bfl-S1

Standard(s): EN 13501-1 & EN 45545-2

PACKAGING

Pieces per carton: 30 pcs

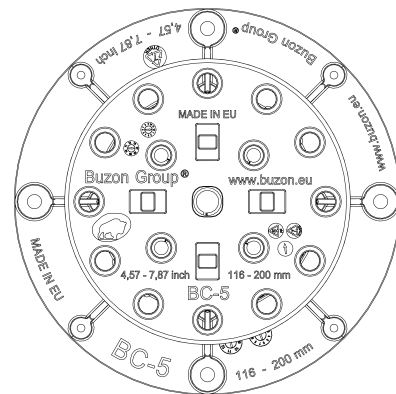
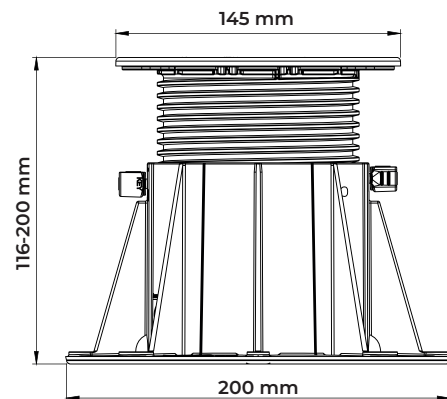
Carton weight: 24,57 kg

Carton dimension: 600 x 400 x 610 mm

Cartons per pallet: 15 pcs

Pieces per pallet: 450 pcs

Pallet dimensions: 100 x 120 x 220 cm



APPLICATIONS

Buzon BC-FR is manufactured with Fire Retardant additives and can be used, depending on the local requirements, for a wider range of applications, such as terraces, pool decks, and water features and in landscape areas and on rooftops.

Rectangular Tabs



Height:
17 mm

Thickness:
2, 3, 4.5, 6 and 8mm



Height:
25 mm

Thickness:
2, 4.5, 6, 8 and 10mm

Circular Tabs



Height:
17 mm

Thickness:
2, 3, 4.5, 6 and 8mm



Height:
25 mm

Thickness:
2, 4.5, 6, 8 and 10mm

COMPRESSION TEST*

Performed on the full (1/1) and quarter (1/4) surface of the head (1kN= 100 kg= 224,8 lbF)

Position	Height (mm)	Breaking load (kN)	Breaking load (lbF)
1/1	200	14,76 (1476 kg)	3318
1/4	200	7,50 (750 kg)	1686

* Tests carried out by SIRRIS

SAFETY INSTRUCTIONS

Buzon pedestals are designed to support external raised floors for pedestrian traffic only and are not designed to support or be subjected to moving and/or vibrating machinery & equipment, including maintenance, cleaning vehicles, automobiles and other similar equipment.

sales@buzonuk.com +44 (0)20 8614 0874

Buzon has a policy of continuous improvement and reserves the right to modify, revise or change the above specifications without notice. This brochure is for descriptive purpose only and is based on the product as on the date of publication of this information.