



www.buzonuk.com



Technical Data Sheet

PB-C1 Coupler (Extender)

COMPONENTS

The PB-C1 is composed of 1 piece.

CHARACTERISTICS

Weight: 0,280 kg

Height: +85 mm to +120 mm

MATERIAL

Copolymer polypropylene (CPP)

Composition: +/- 80% first grade pre-selected recycled PPC, and +/- 20% Talc + Masterbatch black

Designed and manufactured in Europe.

Use of recycled materials exclusively of EU origin.

Resistant to weathering, sea salts, algae and a wide range of chemicals.

Temperature range: -30 °C to +80 °C.

PACKAGING

Pieces per carton: 24 pcs

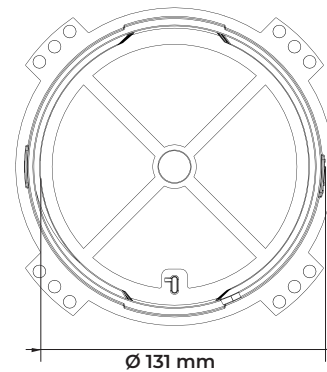
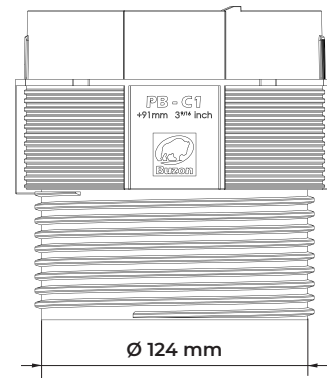
Carton weight: 7,82 kg

Carton dimension: 600 x 400 x 430 mm

Cartons per pallet: 25 pcs

Pieces per pallet: 600 pcs

Pallet dimensions: 100 x 120 x 220 cm



APPLICATIONS

The coupler PB-C1 is adjusted by screwing between the base and the head of the pedestal to make the «high-rise» pedestals in the PB range.

Accessories are available for applications with various outdoor finishes, such as granite stone pavers, composite / timber decking, ceramic tiles and fibreglass or metal grating panels.

SAFETY INSTRUCTIONS

Buzon pedestals and accessories are designed to support external raised floors for pedestrian traffic only and are not designed to support or be subjected to moving and/or vibrating machinery & equipment, including maintenance, cleaning vehicles, automobiles and other similar equipment.