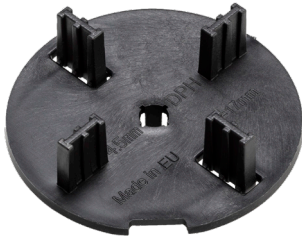




www.buzonuk.com



Technical Data Sheet-DPH

DPH-TABS-4.5mm-H17 Spacer tabs

COMPONENTS

The DPH-TABS-4.5mm-H17 is composed of 1 piece.

CHARACTERISTICS

Weight: 0,016 kg

Height: 17 mm

MATERIAL

Copolymer polypropylene (CPP)

Composition: +/- 80% first grade pre-selected recycled PPC, and +/- 20% Talc + Masterbatch black

Designed and manufactured in Europe

Use of recycled materials exclusively of EU origin

Resistant to weathering, sea salts, algae and a wide range of chemicals

Temperature range: -30 °C to +80 °C

PACKAGING

Pieces per carton: 120 pcs

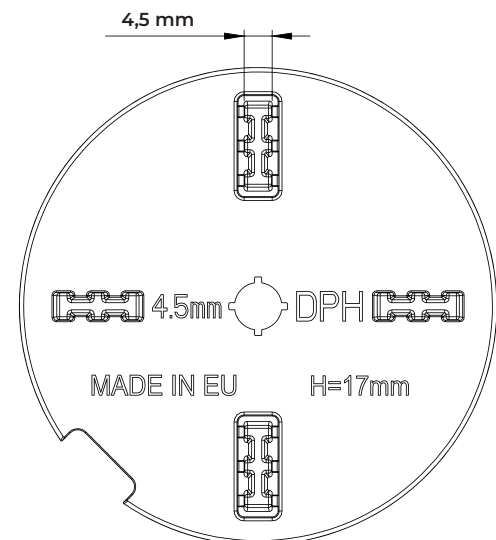
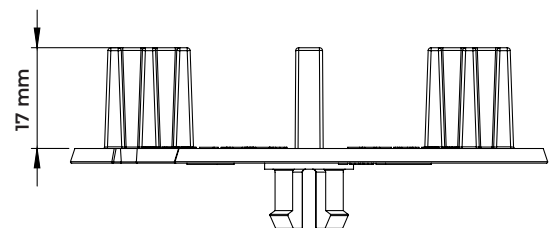
Carton weight: 2,26 kg

Carton dimension: 390 x 280 x 145 mm

Cartons per pallet: 130 pcs

Pieces per pallet: 15 600 pcs

Pallet dimensions: 100 x 120 x 220 cm



APPLICATIONS

The DPH-TABS is fixed mechanically by pressure on the BUZON pedestals from the DPH range. The spacer tabs regulate the spacing between the pavers, ensures alignment, and free water drainage.

The accessory is available for applications with various outdoor finishes, such as granite stone pavers, wood / composite tiles, ceramic tiles and fibreglass or metal grating panels.

SAFETY INSTRUCTIONS

Buzon pedestals and accessories are designed to support external raised floors for pedestrian traffic only and are not designed to support or be subjected to moving and/or vibrating machinery & equipment, including maintenance, cleaning vehicles, automobiles and other similar equipment.