



[www.buzonuk.com](http://www.buzonuk.com)



## Technical Data Sheet-DPH

### DPH-C2 Coupler (Extender)

#### COMPONENTS

The DPH-C2 is composed of 1 piece.

#### CHARACTERISTICS

Weight: 0,271 kg

Height: +75 mm to +116 mm

#### MATERIAL

Copolymer polypropylene (CPP)

Composition: +/- 80% first grade pre-selected recycled PPC, and +/- 20% Talc + Masterbatch black

Designed and manufactured in Europe

Use of recycled materials exclusively of EU origin

Resistant to weathering, sea salts, algae and a wide range of chemicals

Temperature range: -30 °C to +80 C°

#### PACKAGING

Pieces per carton: 48 pcs

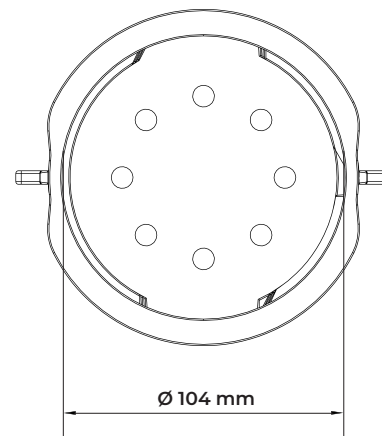
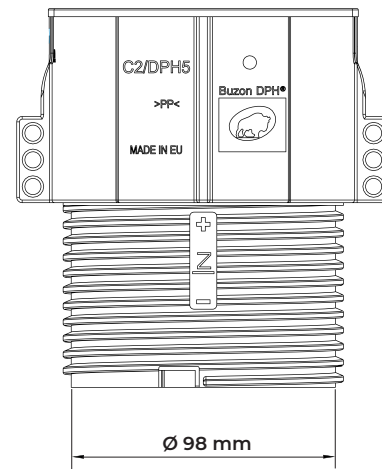
Carton weight: 13,60 kg

Carton dimension: 600 x 410 x 450 mm

Cartons per pallet: 20 pcs

Pieces per pallet: 960 pcs

Pallet dimensions: 100 x 120 x 220 cm



#### APPLICATIONS

The coupler DPH-C2 is adjusted by screwing between the base and the head of the pedestal to make the «high-rise» pedestals in the DPH range.

Accessories are available for applications with various outdoor finishes, such as granite stone pavers, composite / timber decking, ceramic tiles and fibreglass or metal grating panels.

#### SAFETY INSTRUCTIONS

Buzon pedestals are designed to support external raised floors for pedestrian traffic only and are not designed to support or be subjected to moving and/or vibrating machinery & equipment, including maintenance, cleaning vehicles, automobiles and other similar equipment.