



www.buzonuk.com

The BC-Fire Resistant pedestal
B_{fl}-S1 Rated

The BC-FR range **B_{fl}-S1**

The fire-rated version of our Buzon® BC range of pedestals meets the European and United Kingdom **EN 13501** standard achieving a **B_{fl}-S1** classification.

The Buzon® BC-FR pedestals have an adjustable height range of 28-1025mm with optional slope correction of up to 10%. Thanks to the fully independent spacer tabs which can be fixed or pivoted, the pedestals are suitable for a range of paver dimensions and differing joint spacings, allowing your design creativity free reign.

The BC-FR polypropylene pedestals are recommended for any external flooring application that requires B-rating certification, thanks to their strength and stability. Pedestal heights are secured at their specified height by locking keys which prevent any rotation.

COMPOSITION

1 TOP OF THE PEDESTAL

The top of the pedestal is screwed directly into the base or into the couplers.

The top has a diameter of 145mm and a surface area of 165cm². It can be fitted with various accessories to support complex shaped tiles (square, rectangular, triangular, hexagonal and round) and different applications like stone pavers, decking, industrial gratings.

2 COUPLERS

Couplers are used to extend the height over 200mm. Two wire hooks on the sides allow for the pedestals to be tied to each other, guaranteeing greater stability.

3 BASE

The base can be simply positioned or fixed to any compatible substrate.

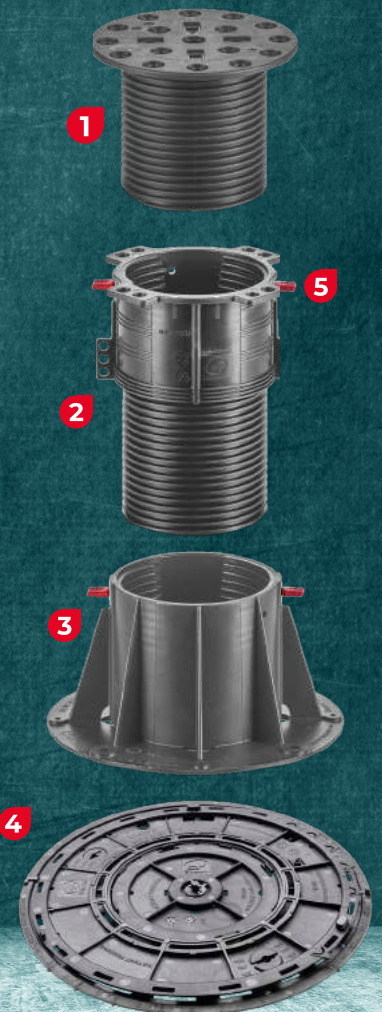
The head, the couplers and the base are equipped with a safety interlocking system. Base diameter is 200mm, surface area is 314cm².

4 SLOPE CORRECTOR (0-5%)

The U-PH5-FR slope corrector is placed underneath the pedestal, ensuring the pedestal is completely vertical and will stay balanced even at the highest height. It can compensate for a slope from 0 to 5% in 0.5% increments.

5 LOCKING KEYS

The keys lock the pedestal at the required height.



ACCESSORIES

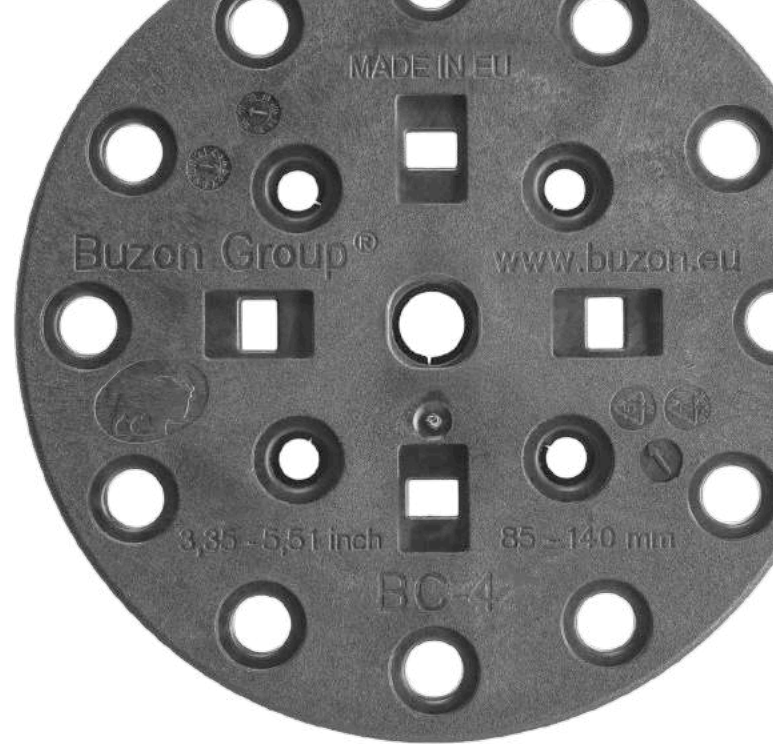
BC-FR-TABS

The BC-FR range includes both rectangular and circular spacer tabs that fix to the head of the pedestal for separating pavers.

360° rotation allows pavers to be spaced perfectly regardless of paver shape or design.



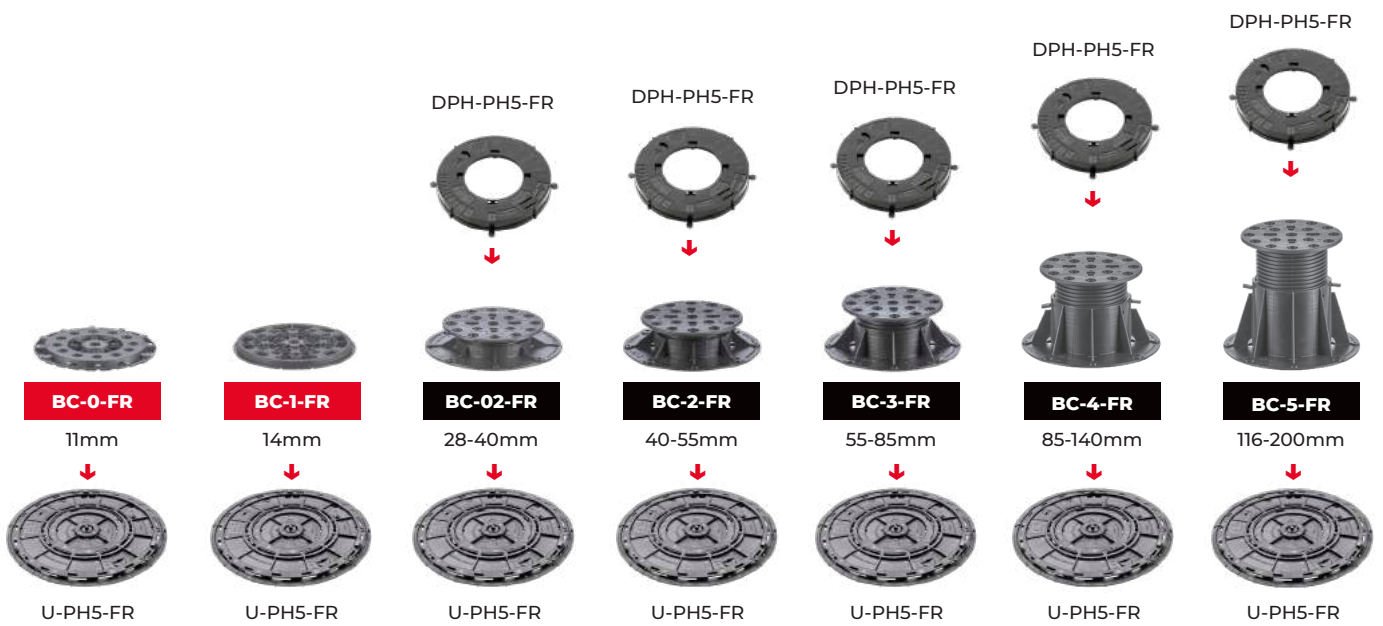
Classification: Bfl-S1



Technical information

Our range of fire-resistant pedestals have been developed through extensive research to meet multi-national standards. Their fire-resistant properties have been certified through a series of tests in accordance with European Standards **EN 4554-2** (toxicity emission) and **EN 13501-1** (smoke density and ease of ignition/fire spread).





Fixed Adjustable

DPH-PH5-FR



↕ **+9mm** ⓘ

With the DPH-PH5-FR slope corrector, the additional height is 9mm

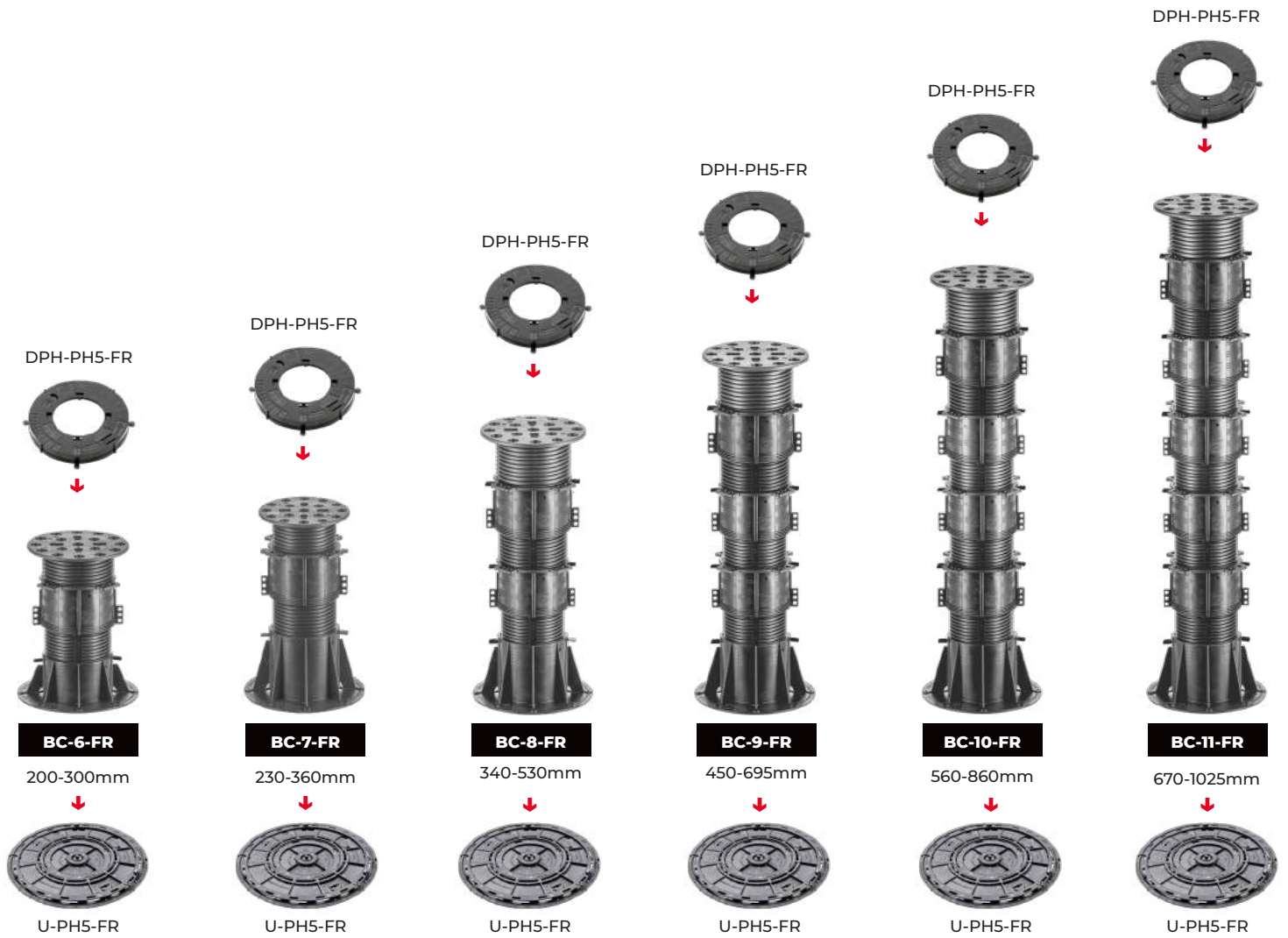
U-PH5-FR



↕ **+14mm** ⓘ

With the U-PH5-FR slope corrector, the additional height is 14mm





■ Fixed ■ Adjustable

DPH-PH5-FR



↑ +9mm ⓘ

With the DPH-PH5-FR slope corrector, the additional height is 9mm

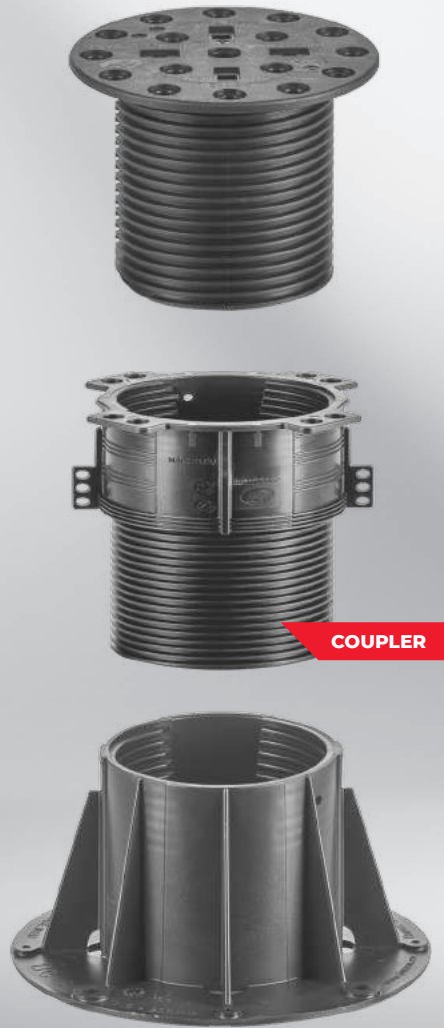
U-PH5-FR



↑ +14mm ⓘ

With the U-PH5-FR slope corrector, the additional height is 14mm





BC-C3-FR

BC-C3-FR Coupler

The **BC-C3-FR** coupler is fitted by screwing between the base and the head of the pedestal to make the taller pedestals in the BC-FR range. With additional couplers, pedestals can reach a height of 1025mm.



Slope Correctors



U-PH5-FR

The **BC-FR** range of pedestals offers two methods of slope correction dependent on the model of pedestal in use. Both methods comprise of an adjustable unit that can compensate for slopes of 0 to 5% at 0.5% intervals and allow the creation of horizontal surfaces on inclined surfaces.

Multiple slope correctors can be used to allow for a larger range of slope correction up to 10%.

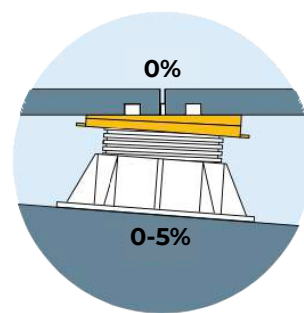
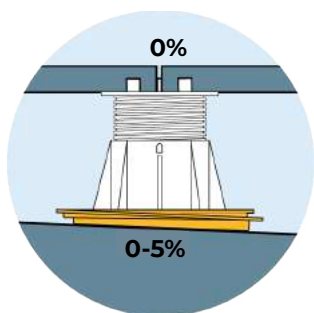


DPH-PH5-FR

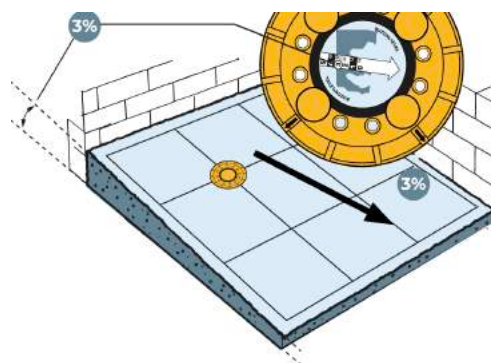
The **U-PH5-FR** Slope Corrector is compatible with all BC-FR pedestal models and is placed under the base of the pedestal. It will add 14mm to the height of the pedestal.

The **DPH-PH5-FR** Slope Corrector sits on the pedestal head and is compatible with all adjustable pedestals from the BC-02-FR to BC-11-FR. It will add 9mm to the height of the pedestal.

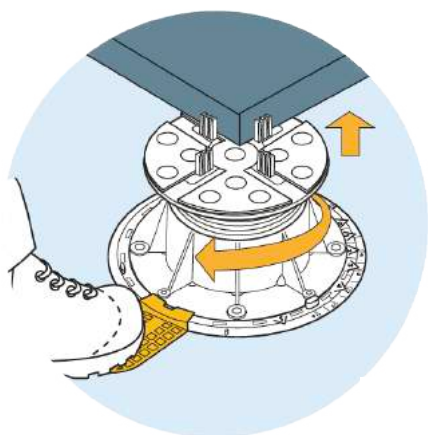
We recommend that the **U-PH5-FR** is used for pedestal models from BC-06-FR to BC-11-FR as compensating at the base allows the pedestal to remain vertical and this is optimal for taller pedestals.



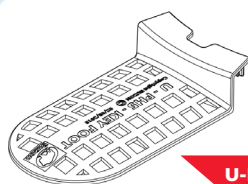
The **Buzon® U-KIT-SL80** measures the value and direction of the slope at the point of placement. This information is essential for calculating slopes and so is an essential tool when using any of our slope correction systems.



U-KIT-SL80

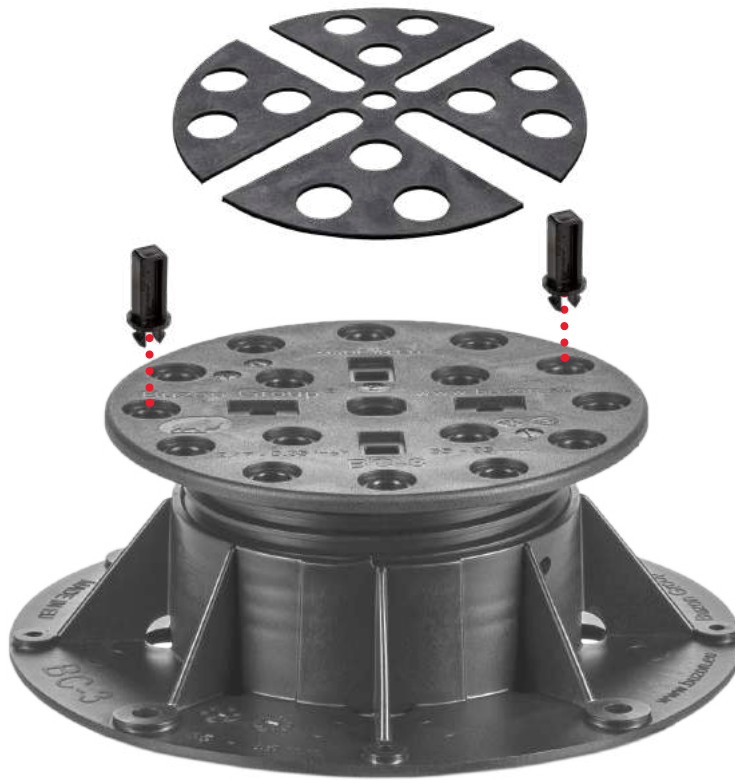


The **U-PH5-KEY-FR** foot is used to maintain the orientation of the U-PH5-FR when adjusting the height of the pedestal.



U-PH5-KEY-FR





Spacer Tabs

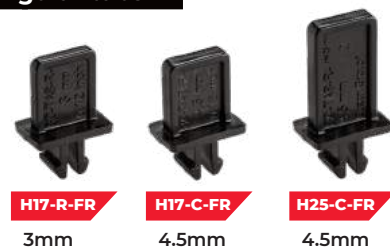
Circular and rectangular spacer tabs are used to separate pavers and are available in two thicknesses: 3mm and 4.5mm, with the 4.5mm versions available in heights of 17mm and 25mm. Spacer Tabs provide uniform alignment of pavers on top of the Buzon pedestal.

Tabs can be rotated 360° to accommodate irregular paver shapes and maintain uniform spacing.

Circular tabs

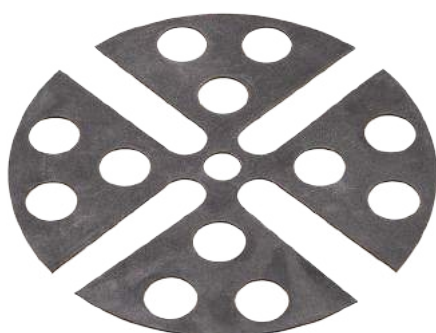


Rectangular tabs

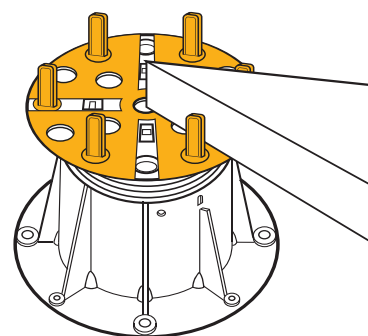


Shims

The shim **U-E20-FR** is a 2mm maltese-cross shaped leveller. It stabilises the paver, provides additional acoustic comfort and compensates for variations in paver thickness.

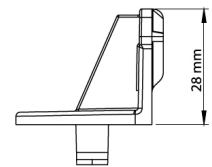
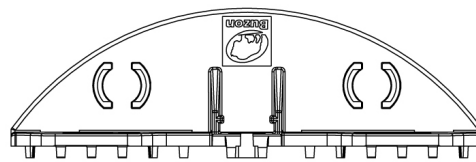
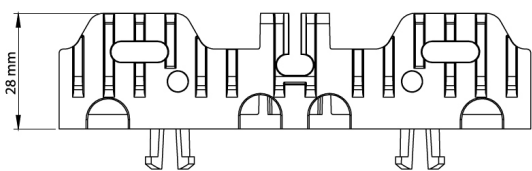


U-E20-FR



Batten Holder

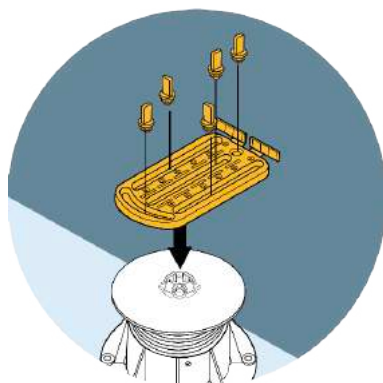
The **BC-FR** pedestal range and batten holder kits are designed for Class B composite and Class A aluminium joists and deck boards. The batten holder kit is easily fixed in place by pressing it on to the head of a BC-FR pedestal where it can then be used to create a sub-frame upon which any type of Class A or B decking is safely supported.

**BC-KIT-5-FR**

Edge Support for Paving

U-EDGE-FR is an adaptable support that attaches to the head of the BC-FR pedestals enabling the installation of small pavers (from 2 to 14 cm wide) between the edge of a terrace and the wall.

Due to its design, it creates a quick and easy solution to complete the installation at the edge of a terrace. It can be used with any size of spacer tab and all shapes of paving.

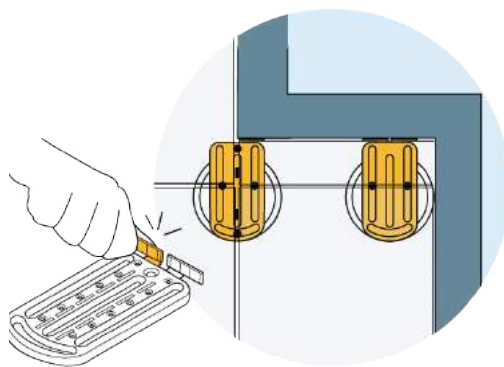


U-TABS-FR spacer tabs of 3 and 4.5 mm thick are used with U-EDGE-FR. By fixing these in the required location, they create a gap between the paving keeping the smaller cuts evenly spaced and holding them securely in place.

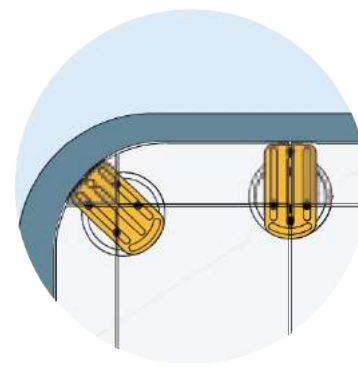
Characteristics



U-Edge-FR enables the creation of a space between the pavers and the wall keeping an even gap and enabling water flow which protects the terrace in the case of heavy rainfall, snow etc.



With its flexible tile retainers, U-Edge-FR can be installed on terraces of any shape: angular, curved etc. which makes installation easier and more efficient.



The spacer tabs can be removed to adapt to all types of layout.

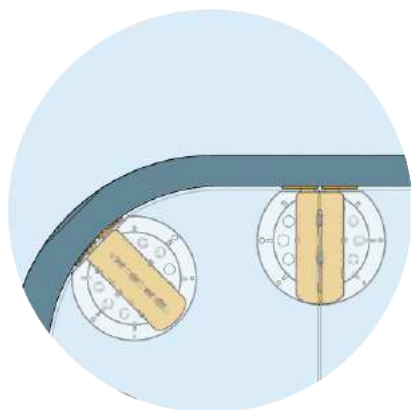


Edge Spacer

U-WALL-FR creates a uniform 5mm gap between the paver and the wall, enabling water flow which protects the terrace in the case of heavy rainfall, snow etc. It is placed on the top of the BC pedestal.

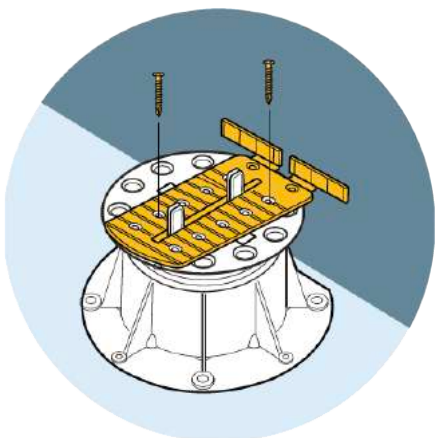
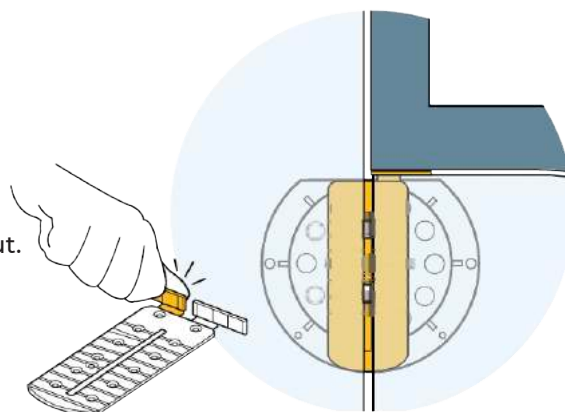


Characteristics



With its flexible tile retainers, the U-WALL-FR can be installed on terraces of any shape: angular, curved etc. which makes installation easier and more efficient.

The spacer tabs can be detached to adapt to all types of layout.



U-WALL-FR can be fixed to the pedestals with screws to keep the pavers in place. It is also adjustable on the top of the pedestal to create an optimal gap.



Performance Characteristics of the BC-FR range

- Fire-Resistant (Bfl-S1)
- Allows for complete drainage
- Quick and easy Installation
- High stability due to the large head
- Easy and precise slope correction of up to 10%
- Does not damage waterproof membrane
- Easy access to waterproof membrane
- Improved thermal and sound insulation
- Offers a sustainable solution
- Supports large loads
- Ability to conceal utility services



Range of Applications



01 245 HAMMERSMITH
London



02 WHITE CITY PLACE
London



03 GOOGLE HQ KING'S CROSS
London

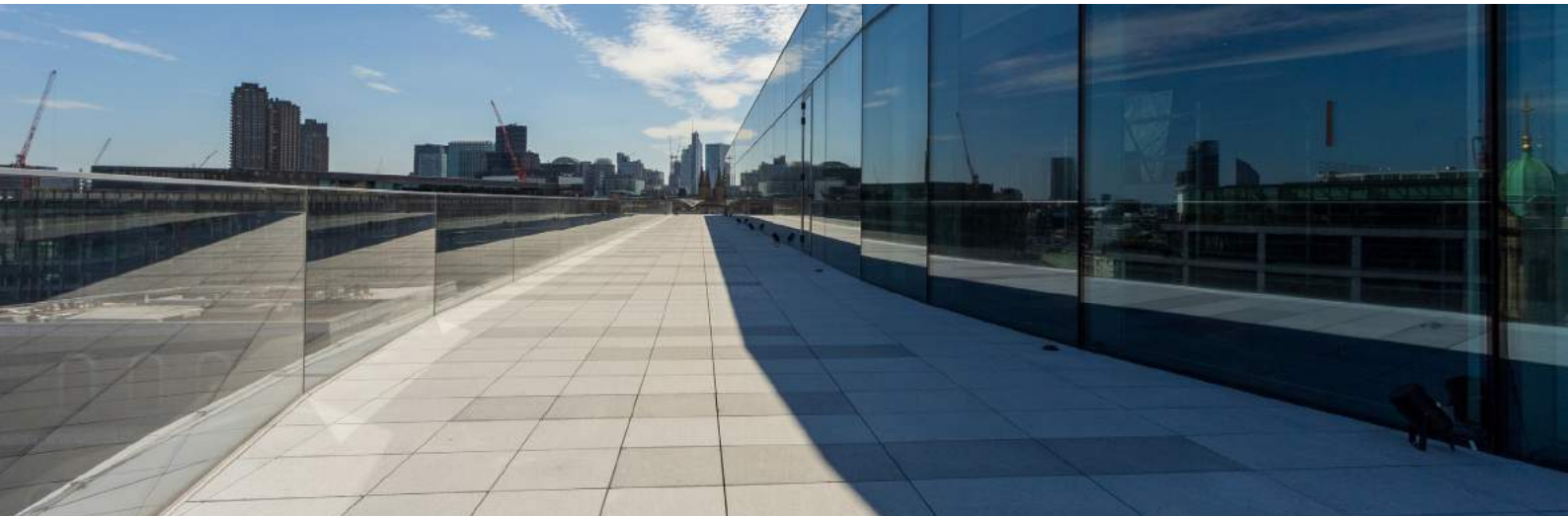
Range of Applications



04 **SOUTHBANK PLACE**
London



05 **CHELSEA FOOTBALL CLUB**
London



06 **GOLDMAN SACHS HQ**
London

