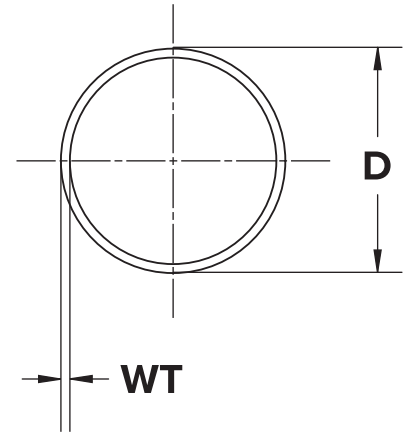
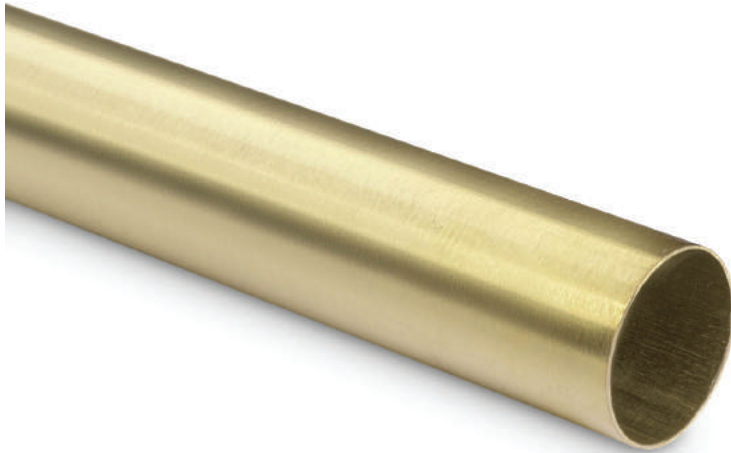


BAR RAIL SPEC SHEETS

2" OD

KEGWORKS

America's Leader in Bar Rails



DIMENSIONS

(D) DIAMETER	2.00"
(WT) WALL THICKNESS	0.05"

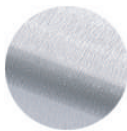
Tubing is available in 2', 4', 6', 8', and 12' sections. Radius work and custom cuts available upon request.

INSTALLATION

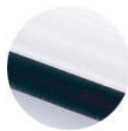
1. Cut tubing to the correct length for your bar. To cut **Brass Tubing**, use either a hacksaw or a powered radial arm saw. To cut **Stainless Steel Tubing**, use a powered radial arm saw with a carbide tip blade.
2. Loosely assemble the tubing with the brackets.
3. If you have multiple tubes, use splicing sleeves to join them together.
4. Secure the loose tubing to the brackets with set screws.

For full instructions, visit our blog post: [Planning & Installing Bar Foot Rails](#)

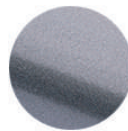
AVAILABLE FINISHES



BRUSHED STAINLESS



POLISHED STAINLESS



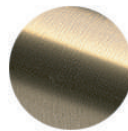
GUNMETAL GREY



BRUSHED BRASS



POLISHED BRASS



ANTIQUE BRASS



SUNSET COPPER



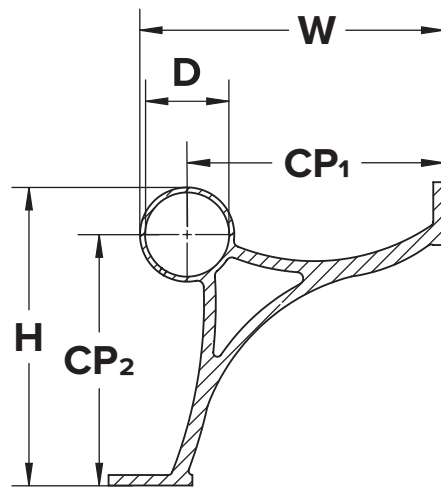
OIL RUBBED BRONZE



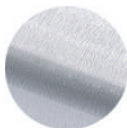
MATTE BLACK

CUSTOM COLORS ARE AVAILABLE BY REQUEST

Care and maintenance of bar foot rail varies by finish. Given the nature of the product, typical wear and tear may be noticed with your bar rail over time, such as scuffs, scratches, and dirt. Visit kegworks.com/bar-rail-care to read our guide on how to properly prep, clean & maintain all bar rail finishes.



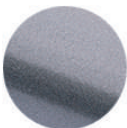
AVAILABLE FINISHES



BRUSHED
STAINLESS



POLISHED
STAINLESS



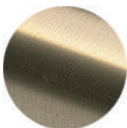
GUNMETAL
GREY



BRUSHED
BRASS



POLISHED
BRASS



ANTIQU
BRASS



SUNSET
COPPER



OIL RUBBED
BRONZE



MATTE
BLACK

CUSTOM COLORS ARE AVAILABLE BY REQUEST

DIMENSIONS

(W)	WIDTH	7.25"
(H)	HEIGHT	7.10"
(D)	DIAMETER	2.01"
(CP ₁)	CENTER POINT 1	6.13"
(CP ₂)	CENTER POINT 2	5.99"

INCLUDED HARDWARE

- 2 x #10 1-1/2" Mounting Screws
- 1 x #8 3/4" Self-Drilling Set Screw

INSTALLATION

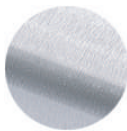
1. Measure & mark holes for mounting screws.
2. Attach brackets to the face of the bar with mounting screws.
3. Secure tubing to bracket by fastening set screws through hole in the bottom of bracket.

Care and maintenance of bar foot rail varies by finish. Given the nature of the product, typical wear and tear may be noticed with your bar rail over time, such as scuffs, scratches, and dirt. Visit kegworks.com/bar-rail-care to read our guide on how to properly prep, clean & maintain all bar rail finishes.

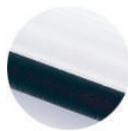


**KEGWORKS
EXCLUSIVE**

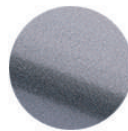
AVAILABLE FINISHES



BRUSHED
STAINLESS



POLISHED
STAINLESS



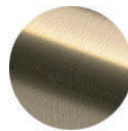
GUNMETAL
GREY



BRUSHED
BRASS



POLISHED
BRASS



ANTIQUE
BRASS



SUNSET
COPPER

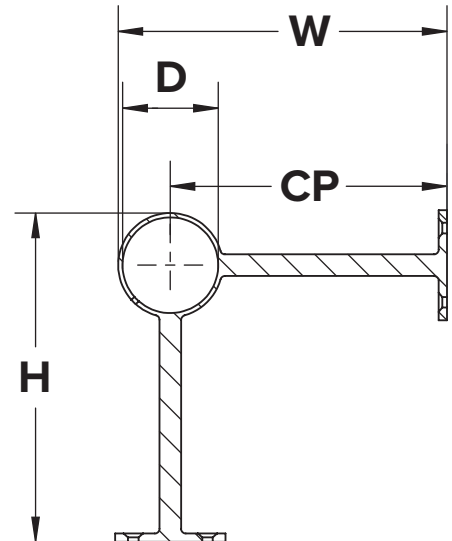


OIL RUBBED
BRONZE



MATTE
BLACK

CUSTOM COLORS ARE AVAILABLE BY REQUEST



DIMENSIONS

(W) WIDTH	7.00"
(H) HEIGHT	7.00"
(D) DIAMETER	2.01"
(CP) CENTER POINT	5.89"

INCLUDED HARDWARE

- 8 x #10 1-1/2" Mounting Screws
- 1 x #8 3/4" Self-Drilling Set Screw

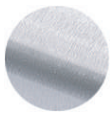
INSTALLATION

1. Measure & mark holes for mounting screws.
2. Attach brackets to the face of the bar and floor with the 8 mounting screws.
3. Secure tubing to bracket by fastening set screws through hole in the bottom of bracket.

Care and maintenance of bar foot rail varies by finish. Given the nature of the product, typical wear and tear may be noticed with your bar rail over time, such as scuffs, scratches, and dirt. Visit kegworks.com/bar-rail-care to read our guide on how to properly prep, clean & maintain all bar rail finishes.



AVAILABLE FINISHES



BRUSHED
STAINLESS



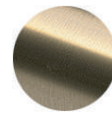
POLISHED
STAINLESS



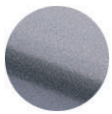
BRUSHED
BRASS



POLISHED
BRASS



ANTIQUÉ
BRASS



GUNMETAL
GREY



OIL RUBBED
BRONZE

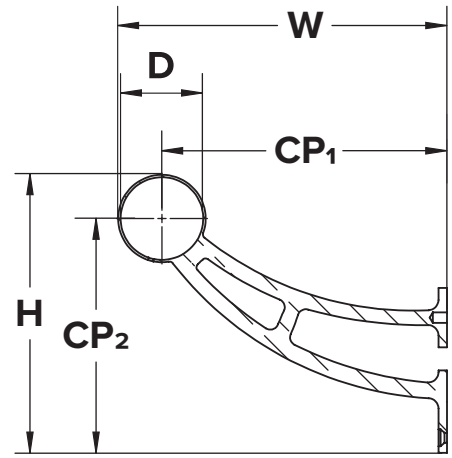


MATTE
BLACK



SUNSET
COPPER

CUSTOM COLORS ARE AVAILABLE BY REQUEST



DIMENSIONS

(W)	WIDTH	8.00"
(H)	HEIGHT	6.76"
(D)	DIAMETER	2.01"
(CP ₁)	CENTER POINT 1	6.94"
(CP ₂)	CENTER POINT 2	5.70"

INCLUDES

- 3 x #10 1-1/2" Mounting Screws
- 1 x #8 3/4" Self-Drilling Set Screw

Nut & Bolt Assembly:

- 1 x Bolt - Fully threaded, 5/16" - 18 x 3"
- 1 x Hex Nut - 5/16" - 18
- 1 x USS Flat Washer - 5/16"

INSTALLATION

Bar mount brackets include a nut and bolt assembly to properly support the weight. To ensure adequate support, a solid backing at least 3/4" deep is required.

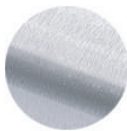
1. Measure & mark holes for mounting screws and for the threaded bolt.
2. Drill hole in bar diewall for the threaded rod.
3. Attach bracket from behind bar face using rod and secure with bolt and washer.
4. Attach brackets to the face of the bar with the 3 mounting screws.
5. Secure tubing to bracket by fastening set screws through hole in the bottom of bracket.

Care and maintenance of bar foot rail varies by finish. Given the nature of the product, typical wear and tear may be noticed with your bar rail over time, such as scuffs, scratches, and dirt. Visit kegworks.com/bar-rail-care to read our guide on how to properly prep, clean & maintain all bar rail finishes.



**KEGWORKS
EXCLUSIVE**

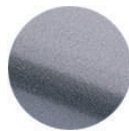
AVAILABLE FINISHES



BRUSHED
STAINLESS



POLISHED
STAINLESS



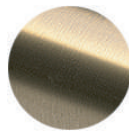
GUNMETAL
GREY



BRUSHED
BRASS



POLISHED
BRASS



ANTIQUÉ
BRASS



SUNSET
COPPER

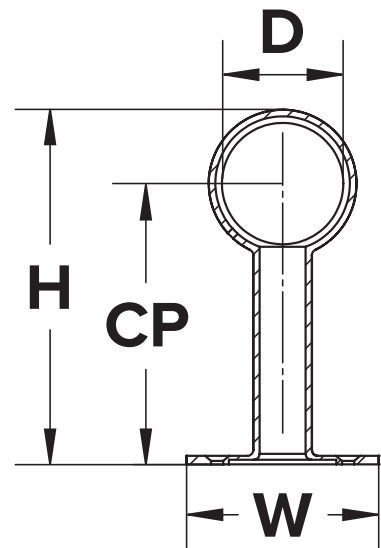


OIL RUBBED
BRONZE



MATTE
BLACK

CUSTOM COLORS ARE AVAILABLE BY REQUEST



DIMENSIONS

(W)	WIDTH	3.25"
(H)	HEIGHT	6.00"
(D)	DIAMETER	2.01"
(CP)	CENTER POINT	4.75"

INCLUDED HARDWARE

- 4 x #10 1-1/2" Mounting Screws
- 1 x #8 3/4" Self-Drilling Set Screw

INSTALLATION

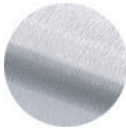
1. Measure & mark holes for mounting screws.
2. Attach brackets to the floor with the appropriate mounting screws.
3. Secure tubing to bracket by fastening set screws through hole in the bottom of bracket.

Care and maintenance of bar foot rail varies by finish. Given the nature of the product, typical wear and tear may be noticed with your bar rail over time, such as scuffs, scratches, and dirt. Visit kegworks.com/bar-rail-care to read our guide on how to properly prep, clean & maintain all bar rail finishes.



**KEGWORKS
EXCLUSIVE**

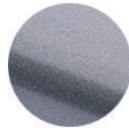
AVAILABLE FINISHES



BRUSHED
STAINLESS



POLISHED
STAINLESS



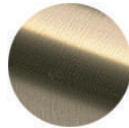
GUNMETAL
GREY



BRUSHED
BRASS



POLISHED
BRASS



ANTIQU
BRASS



SUNSET
COPPER

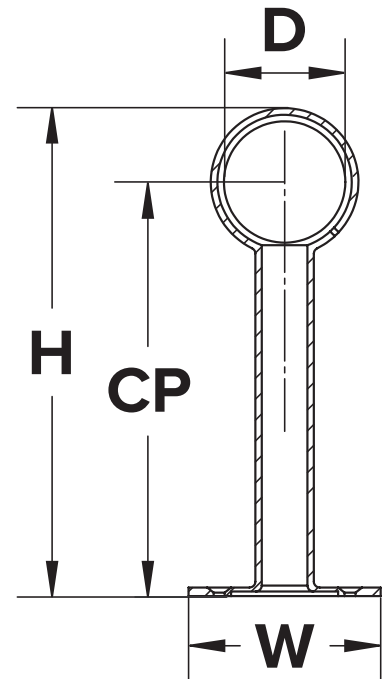


OIL RUBBED
BRONZE



MATTE
BLACK

CUSTOM COLORS ARE AVAILABLE BY REQUEST



DIMENSIONS

(W) WIDTH	3.25"
(H) HEIGHT	8.00"
(D) DIAMETER	2.01"
(CP) CENTER POINT	7.00"

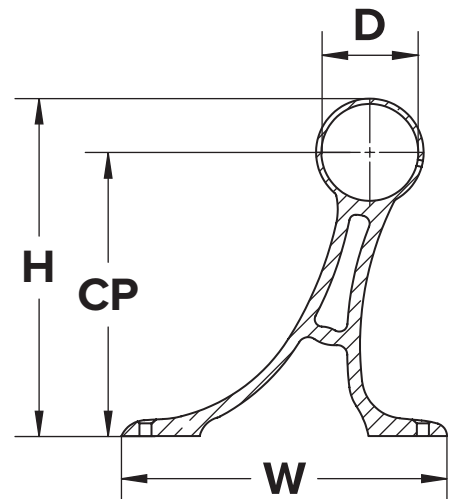
INCLUDED HARDWARE

- 4 x #10 1-1/2" Mounting Screws
- 1 x #8 3/4" Self-Drilling Set Screw

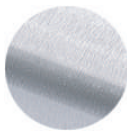
INSTALLATION

1. Measure & mark holes for mounting screws.
2. Attach brackets to the floor with the appropriate mounting screws.
3. Secure tubing to bracket by fastening set screws through hole in the bottom of bracket.

Care and maintenance of bar foot rail varies by finish. Given the nature of the product, typical wear and tear may be noticed with your bar rail over time, such as scuffs, scratches, and dirt. Visit kegworks.com/bar-rail-care to read our guide on how to properly prep, clean & maintain all bar rail finishes.



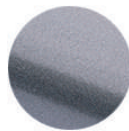
AVAILABLE FINISHES



BRUSHED
STAINLESS



POLISHED
STAINLESS



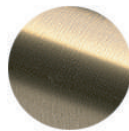
GUNMETAL
GREY



BRUSHED
BRASS



POLISHED
BRASS



ANTIQUE
BRASS



SUNSET
COPPER



OIL RUBBED
BRONZE



MATTE
BLACK

CUSTOM COLORS ARE AVAILABLE BY REQUEST

DIMENSIONS

(W) WIDTH	6.75"
(H) HEIGHT	7.00"
(D) DIAMETER	2.01"
(CP) CENTER POINT	5.88"

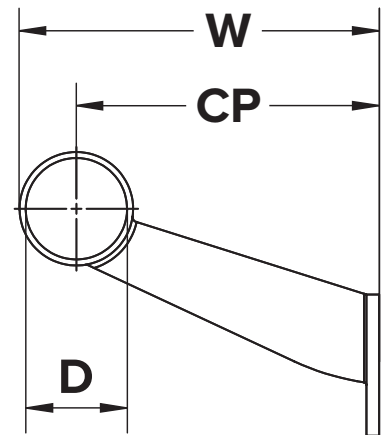
INCLUDED HARDWARE

- 2 x #10 1-1/2" Mounting Screws
- 1 x #8 3/4" Self-Drilling Set Screw

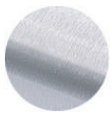
INSTALLATION

1. Measure & mark holes for mounting screws.
2. Attach brackets to the floor with the appropriate mounting screws.
3. Secure tubing to bracket by fastening set screws through hole in the bottom of bracket.

Care and maintenance of bar foot rail varies by finish. Given the nature of the product, typical wear and tear may be noticed with your bar rail over time, such as scuffs, scratches, and dirt. Visit kegworks.com/bar-rail-care to read our guide on how to properly prep, clean & maintain all bar rail finishes.



AVAILABLE FINISHES



BRUSHED
STAINLESS



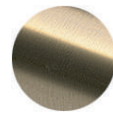
POLISHED
STAINLESS



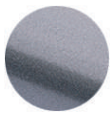
BRUSHED
BRASS



POLISHED
BRASS



ANTIQUE
BRASS



GUNMETAL
GREY



OIL RUBBED
BRONZE



MATTE
BLACK



SUNSET
COPPER

CUSTOM COLORS ARE AVAILABLE BY REQUEST

DIMENSIONS

(W) WIDTH	7.00"
(D) DIAMETER	2.01"
(CP) CENTER POINT	6.00"

INCLUDES

- 3 x #10 1-1/2" Mounting Screws
- 1 x #8 3/4" Self-Drilling Set Screw

Nut & Bolt Assembly:

- 1 x Bolt - Fully threaded, 5/16" - 18 x 3"
- 1 x Hex Nut - 5/16" - 18
- 1 x USS Flat Washer - 5/16"

INSTALLATION

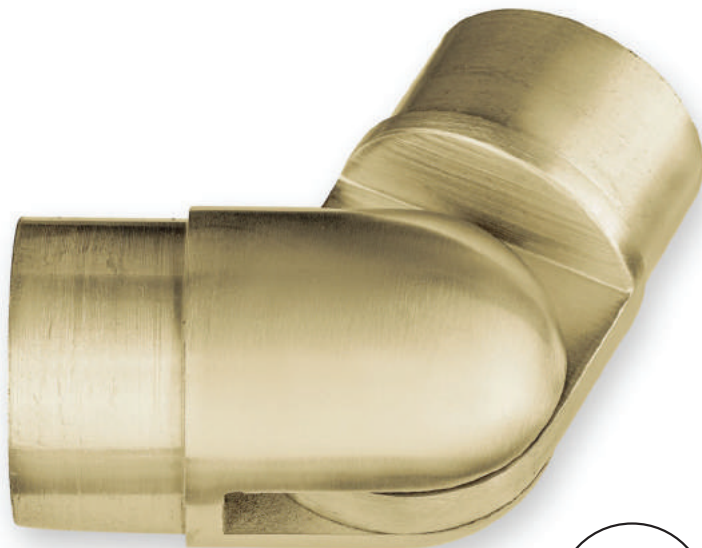
BAR MOUNT INSTALLATION

1. Measure & mark holes for mounting screws and threaded bolt.
2. Drill hole in bar diewall for the threaded rod.
3. Attach bracket from behind bar face using rod and secure with bolt and washer.
4. Attach brackets to the face of the bar with the 3 mounting screws.
5. Secure tubing to bracket by fastening set screws through hole in the bottom of bracket.

FLOOR MOUNT INSTALLATION

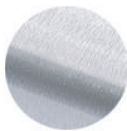
1. Measure & mark holes for mounting screws.
2. Attach brackets to the floor with the appropriate mounting screws.
3. Secure tubing to bracket by fastening set screws through hole in the bottom of bracket.

Care and maintenance of bar foot rail varies by finish. Given the nature of the product, typical wear and tear may be noticed with your bar rail over time, such as scuffs, scratches, and dirt. Visit kegworks.com/bar-rail-care to read our guide on how to properly prep, clean & maintain all bar rail finishes.

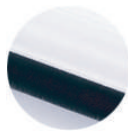


**KEGWORKS
EXCLUSIVE**

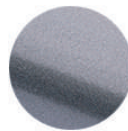
AVAILABLE FINISHES



BRUSHED
STAINLESS



POLISHED
STAINLESS



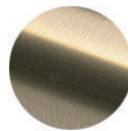
GUNMETAL
GREY



BRUSHED
BRASS



POLISHED
BRASS



ANTIQUE
BRASS



SUNSET
COPPER

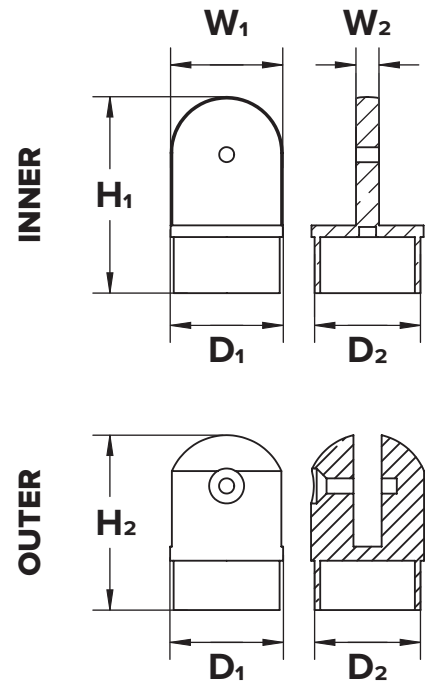


OIL RUBBED
BRONZE



MATTE
BLACK

CUSTOM COLORS ARE AVAILABLE BY REQUEST



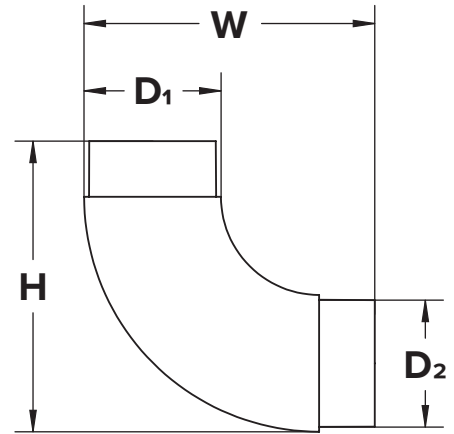
DIMENSIONS

(W ₁)	WIDTH 1	2.00"
(W ₂)	WIDTH 2	0.41"
(H ₁)	HEIGHT 1	3.50"
(H ₂)	HEIGHT 2	3.10"
(D ₁)	DIAMETER 1	2.00"
(D ₂)	DIAMETER 2	1.89"

INSTALLATION

1. Completely secure the first section of bar rail tubing to the bar face or wall.
2. Insert elbow fitting into the end of the secured section of tubing.
3. Adjust elbow fitting to the desired angle.
4. Connect the second piece of tubing to the elbow fitting.
5. Secure the second section of bar rail tubing to bar face

Care and maintenance of bar foot rail varies by finish. Given the nature of the product, typical wear and tear may be noticed with your bar rail over time, such as scuffs, scratches, and dirt. Visit kegworks.com/bar-rail-care to read our guide on how to properly prep, clean & maintain all bar rail finishes.



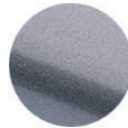
AVAILABLE FINISHES



BRUSHED
STAINLESS



POLISHED
STAINLESS



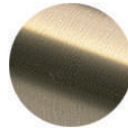
GUNMETAL
GREY



BRUSHED
BRASS



POLISHED
BRASS



ANTIQUÉ
BRASS



SUNSET
COPPER



OIL RUBBED
BRONZE



MATTE
BLACK

CUSTOM COLORS ARE AVAILABLE BY REQUEST

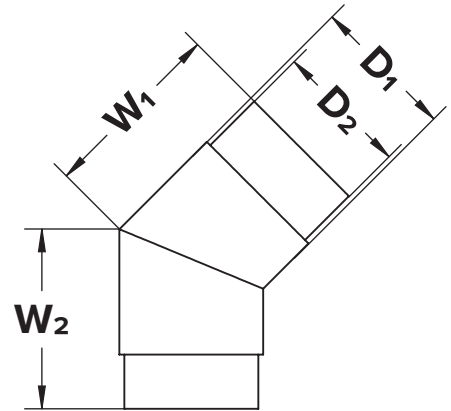
DIMENSIONS

(W)	WIDTH	4.25"
(H)	HEIGHT	4.25"
(D ₁)	DIAMETER 1	2.00"
(D ₂)	DIAMETER 2	1.85"

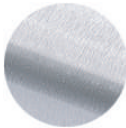
INSTALLATION

1. Completely secure the first section of bar rail tubing to the bar face or wall.
2. Insert elbow fitting into the end of the secured section of tubing.
3. Connect the second piece of tubing to the elbow fitting before securing to bar.
4. Secure the second section of bar rail tubing to bar face.

Care and maintenance of bar foot rail varies by finish. Given the nature of the product, typical wear and tear may be noticed with your bar rail over time, such as scuffs, scratches, and dirt. Visit kegworks.com/bar-rail-care to read our guide on how to properly prep, clean & maintain all bar rail finishes.



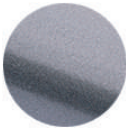
AVAILABLE FINISHES



BRUSHED
STAINLESS



POLISHED
STAINLESS



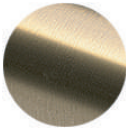
GUNMETAL
GREY



BRUSHED
BRASS



POLISHED
BRASS



ANTIQUÉ
BRASS



SUNSET
COPPER



OIL RUBBED
BRONZE



MATTE
BLACK

CUSTOM COLORS ARE AVAILABLE BY REQUEST

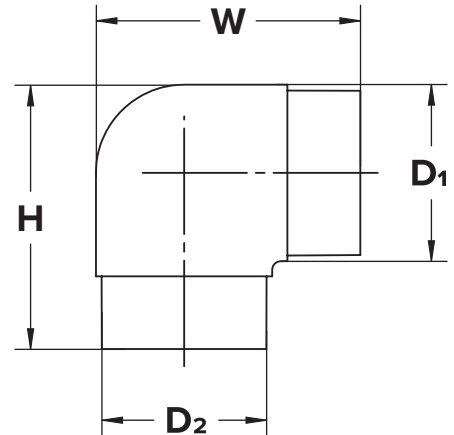
DIMENSIONS

(W ₁)	WIDTH 1	2.54"
(W ₂)	WIDTH 2	2.54"
(D ₁)	DIAMETER 1	2.00"
(D ₂)	DIAMETER 2	1.90"

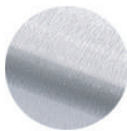
INSTALLATION

1. Completely secure the first section of bar rail tubing to the bar face or wall.
2. Insert elbow fitting into the end of the secured section of tubing.
3. Connect the second piece of tubing to the elbow fitting before securing to bar.
4. Secure the second section of bar rail tubing to bar face.

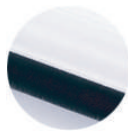
Care and maintenance of bar foot rail varies by finish. Given the nature of the product, typical wear and tear may be noticed with your bar rail over time, such as scuffs, scratches, and dirt. Visit kegworks.com/bar-rail-care to read our guide on how to properly prep, clean & maintain all bar rail finishes.



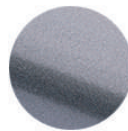
AVAILABLE FINISHES



BRUSHED
STAINLESS



POLISHED
STAINLESS



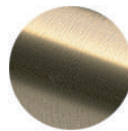
GUNMETAL
GREY



BRUSHED
BRASS



POLISHED
BRASS



ANTIQUÉ
BRASS



SUNSET
COPPER



OIL RUBBED
BRONZE



MATTE
BLACK

CUSTOM COLORS ARE AVAILABLE BY REQUEST

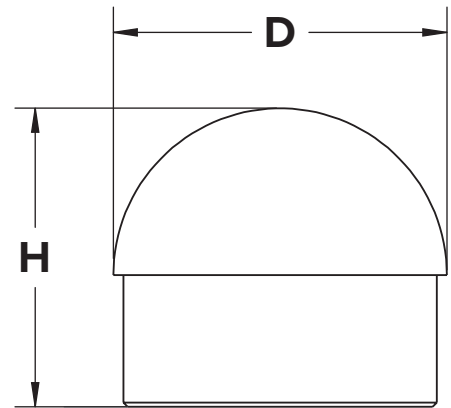
DIMENSIONS

(W)	WIDTH	3.00"
(H)	HEIGHT	3.00"
(D ₁)	DIAMETER 1	2.00"
(D ₂)	DIAMETER 2	1.87"

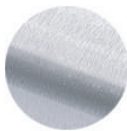
INSTALLATION

1. Completely secure the first section of bar rail tubing to the bar face or wall.
2. Insert elbow fitting into the end of the secured section of tubing.
3. Connect the second piece of tubing to the elbow fitting before securing to bar.
4. Secure the second section of bar rail tubing to bar face.

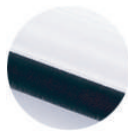
Care and maintenance of bar foot rail varies by finish. Given the nature of the product, typical wear and tear may be noticed with your bar rail over time, such as scuffs, scratches, and dirt. Visit kegworks.com/bar-rail-care to read our guide on how to properly prep, clean & maintain all bar rail finishes.



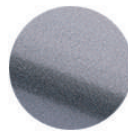
AVAILABLE FINISHES



BRUSHED
STAINLESS



POLISHED
STAINLESS



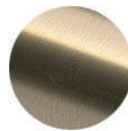
GUNMETAL
GREY



BRUSHED
BRASS



POLISHED
BRASS



ANTIQUE
BRASS



SUNSET
COPPER



OIL RUBBED
BRONZE



MATTE
BLACK

CUSTOM COLORS ARE AVAILABLE BY REQUEST

DIMENSIONS

(H) HEIGHT	1.79"
(D) DIAMETER	2.00"

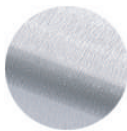
INSTALLATION

1. Secure bar rail tubing to bar face.
2. Insert end cap into the end of bar rail tubing.
3. End cap will fit loosely into the tubing. Use adhesive for more a secure, permanent fit.

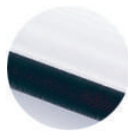
Care and maintenance of bar foot rail varies by finish. Given the nature of the product, typical wear and tear may be noticed with your bar rail over time, such as scuffs, scratches, and dirt. Visit kegworks.com/bar-rail-care to read our guide on how to properly prep, clean & maintain all bar rail finishes.



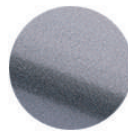
AVAILABLE FINISHES



BRUSHED
STAINLESS



POLISHED
STAINLESS



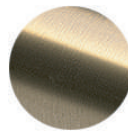
GUNMETAL
GREY



BRUSHED
BRASS



POLISHED
BRASS



ANTIQUE
BRASS



SUNSET
COPPER

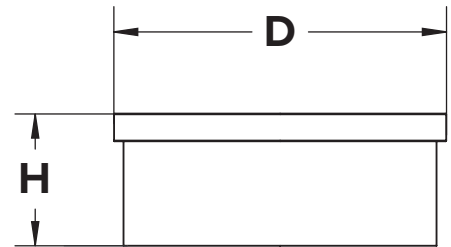


OIL RUBBED
BRONZE



MATTE
BLACK

CUSTOM COLORS ARE AVAILABLE BY REQUEST



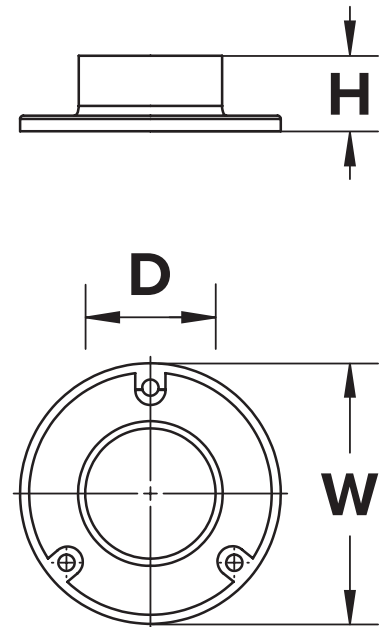
DIMENSIONS

(H) HEIGHT	0.80"
(D) DIAMETER	2.00"

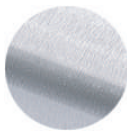
INSTALLATION

1. Secure bar rail tubing to bar face.
2. Insert end cap into the end of bar rail tubing.
3. End cap will fit loosely into the tubing. Use adhesive for more a secure, permanent fit.

Care and maintenance of bar foot rail varies by finish. Given the nature of the product, typical wear and tear may be noticed with your bar rail over time, such as scuffs, scratches, and dirt. Visit kegworks.com/bar-rail-care to read our guide on how to properly prep, clean & maintain all bar rail finishes.



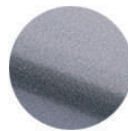
AVAILABLE FINISHES



BRUSHED
STAINLESS



POLISHED
STAINLESS



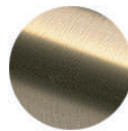
GUNMETAL
GREY



BRUSHED
BRASS



POLISHED
BRASS



ANTIQUE
BRASS



SUNSET
COPPER



OIL RUBBED
BRONZE



MATTE
BLACK

CUSTOM COLORS ARE AVAILABLE BY REQUEST

DIMENSIONS

(H) HEIGHT	1.16"
(W) WIDTH	4.00"
(D) DIAMETER	2.01"

INCLUDED HARDWARE

- 3 x #10 1-1/2" Mounting Screws
- 1 x #8 3/4" Self-Drilling Set Screw

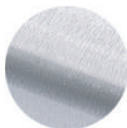
INSTALLATION

1. Measure & mark holes on wall for mounting screws.
2. Secure flange to wall with the 3 mounting screws.
3. Insert end of tubing into wall flange.
4. Secure tubing to bar face or floor with brackets.

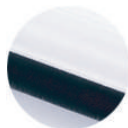
Care and maintenance of bar foot rail varies by finish. Given the nature of the product, typical wear and tear may be noticed with your bar rail over time, such as scuffs, scratches, and dirt. Visit kegworks.com/bar-rail-care to read our guide on how to properly prep, clean & maintain all bar rail finishes.



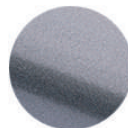
AVAILABLE FINISHES



BRUSHED
STAINLESS



POLISHED
STAINLESS



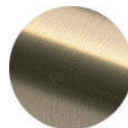
GUNMETAL
GREY



BRUSHED
BRASS



POLISHED
BRASS



ANTIQUE
BRASS



SUNSET
COPPER

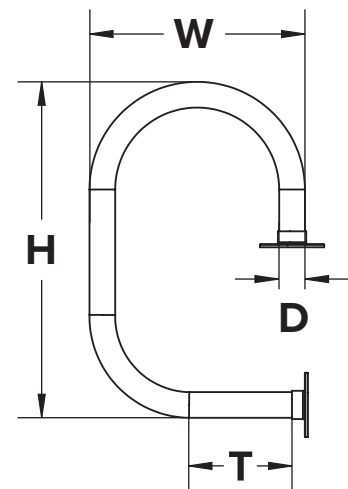


OIL RUBBED
BRONZE



MATTE
BLACK

CUSTOM COLORS ARE AVAILABLE BY REQUEST



DIMENSIONS

(W)	WIDTH	16.00"
(H)	HEIGHT	24.00"
(D)	DIAMETER	2.00"
(T)	TANGENT	8.99"

The tangent can be cut to a custom length upon request.

INCLUDED HARDWARE

- 2 x 4" Flanges
- 2 x #10 1-1/2" Mounting Screws
- 1 x Bottle of JB Weld

INSTALLATION

1. Affix flanges to each end of the service rail using set screws and if desired, adhesive such as JB Weld. If adhesive is used, let the service rail set for 15 minutes.
2. Measure and mark the area on the bar counter and bar face where the service rail is to be mounted.
3. Mount the service rail by screwing the flanges to marked area on the counter and the bar face.

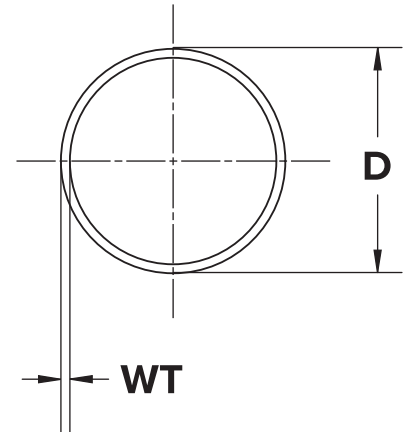
Care and maintenance of bar foot rail varies by finish. Given the nature of the product, typical wear and tear may be noticed with your bar rail over time, such as scuffs, scratches, and dirt. Visit kegworks.com/bar-rail-care to read our guide on how to properly prep, clean & maintain all bar rail finishes.

BAR RAIL SPEC SHEETS

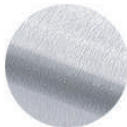
1.5" OD

KEGWORKS

America's Leader in Bar Rails



AVAILABLE FINISHES



BRUSHED
STAINLESS



BRUSHED
BRASS



POLISHED
BRASS



OIL RUBBED
BRONZE

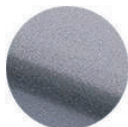


MATTE
BLACK

SPECIAL ORDER FINISHES



POLISHED
STAINLESS



GUNMETAL
GREY



ANTIQUÉ
BRASS



SUNSET
COPPER

CUSTOM COLORS ARE AVAILABLE BY REQUEST

DIMENSIONS

(D) DIAMETER	1.50"
(WT) WALL THICKNESS	0.05"

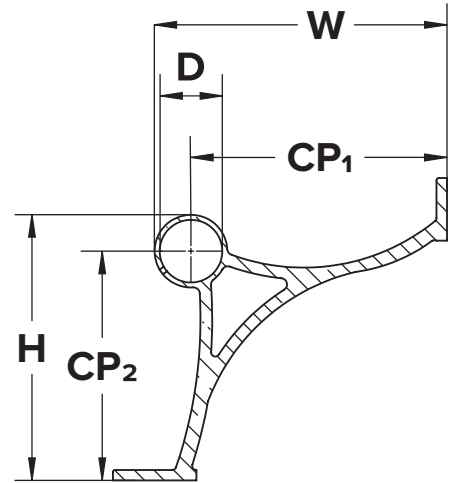
Tubing is available in 2', 4', 6', 8', and 12' sections. Radius work and custom cuts available upon request.

INSTALLATION

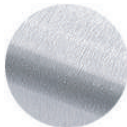
1. Cut tubing to the correct length for your bar. To cut **Brass Tubing**, use either a hacksaw or a powered radial arm saw. To cut **Stainless Steel Tubing**, use a powered radial arm saw with a carbide tip blade.
2. Loosely assemble the tubing with the brackets.
3. If you have multiple tubes, use splicing sleeves to join them together.
4. Secure the loose tubing to the brackets with set screws.

For full instructions, visit our blog post: [Planning & Installing Bar Foot Rails](#)

Care and maintenance of bar foot rail varies by finish. Given the nature of the product, typical wear and tear may be noticed with your bar rail over time, such as scuffs, scratches, and dirt. Visit kegworks.com/bar-rail-care to read our guide on how to properly prep, clean & maintain all bar rail finishes.



AVAILABLE FINISHES



BRUSHED
STAINLESS



BRUSHED
BRASS



POLISHED
BRASS



OIL RUBBED
BRONZE

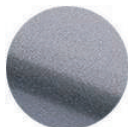


MATTE
BLACK

SPECIAL ORDER FINISHES



POLISHED
STAINLESS



GUNMETAL
GREY



ANTIQUÉ
BRASS



SUNSET
COPPER

CUSTOM COLORS ARE AVAILABLE BY REQUEST

DIMENSIONS

(W)	WIDTH	7.96"
(H)	HEIGHT	7.31"
(D)	DIAMETER	1.50"
(CP ₁)	CENTER POINT 1	6.13"
(CP ₂)	CENTER POINT 2	5.49"

INCLUDED HARDWARE

- 2 x #10 1-1/2" Mounting Screws
- 1 x #8 3/4" Self-Drilling Set Screw

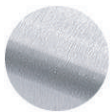
INSTALLATION

1. Measure & mark holes for mounting screws.
2. Attach brackets to the face of the bar with mounting screws.
3. Secure tubing to bracket by fastening set screws through hole in the bottom of bracket.

Care and maintenance of bar foot rail varies by finish. Given the nature of the product, typical wear and tear may be noticed with your bar rail over time, such as scuffs, scratches, and dirt. Visit kegworks.com/bar-rail-care to read our guide on how to properly prep, clean & maintain all bar rail finishes.



AVAILABLE FINISHES



BRUSHED
STAINLESS



BRUSHED
BRASS



POLISHED
BRASS



OIL RUBBED
BRONZE

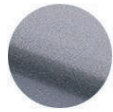


MATTE
BLACK

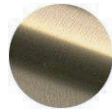
SPECIAL ORDER FINISHES



POLISHED
STAINLESS



GUNMETAL
GREY

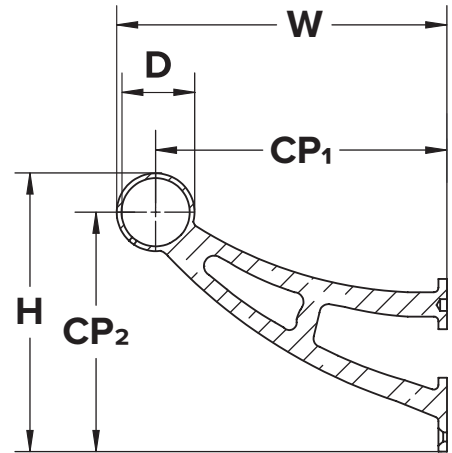


ANTIQUE
BRASS



SUNSET
COPPER

CUSTOM COLORS ARE AVAILABLE BY REQUEST



DIMENSIONS

(W)	WIDTH	7.23"
(H)	HEIGHT	6.11"
(D)	DIAMETER	1.50"
(CP ₁)	CENTER POINT 1	6.38"
(CP ₂)	CENTER POINT 2	5.24"

INCLUDES

- 3 x #10 1-1/2" Mounting Screws
- 1 x #8 3/4" Self-Drilling Set Screw

Nut & Bolt Assembly:

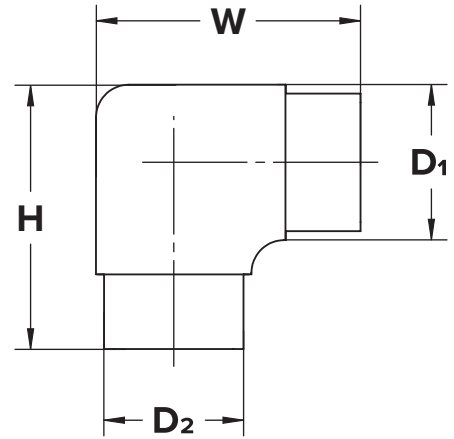
- 1 x Bolt - Fully threaded, 5/16" - 18 x 3"
- 1 x Hex Nut - 5/16" - 18
- 1 x USS Flat Washer - 5/16"

INSTALLATION

Bar mount brackets include a nut and bolt assembly to properly support the weight. To ensure adequate support, a solid backing at least 3/4" deep is required.

1. Measure & mark holes for mounting screws and for the threaded bolt.
2. Drill hole in bar diewall for the threaded rod.
3. Attach bracket from behind bar face using rod and secure with bolt and washer.
4. Attach brackets to the face of the bar with the 3 mounting screws.
5. Secure tubing to bracket by fastening set screws through hole in the bottom of bracket.

Care and maintenance of bar foot rail varies by finish. Given the nature of the product, typical wear and tear may be noticed with your bar rail over time, such as scuffs, scratches, and dirt. Visit kegworks.com/bar-rail-care to read our guide on how to properly prep, clean & maintain all bar rail finishes.



AVAILABLE FINISHES



BRUSHED
STAINLESS



BRUSHED
BRASS



POLISHED
BRASS



OIL RUBBED
BRONZE

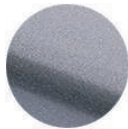


MATTE
BLACK

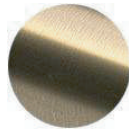
SPECIAL ORDER FINISHES



POLISHED
STAINLESS



GUNMETAL
GREY



ANTIQUÉ
BRASS



SUNSET
COPPER

CUSTOM COLORS ARE AVAILABLE BY REQUEST

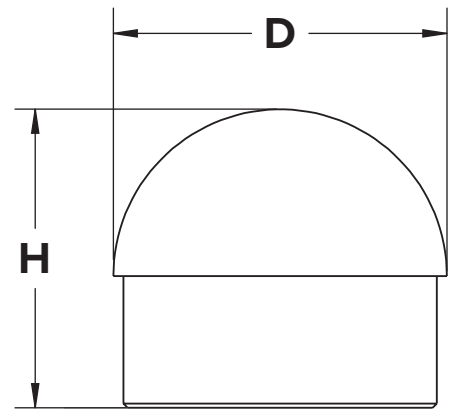
DIMENSIONS

(W)	WIDTH	2.66"
(H)	HEIGHT	2.66"
(D ₁)	DIAMETER 1	1.50"
(D ₂)	DIAMETER 2	1.38"

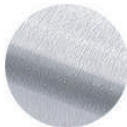
INSTALLATION

1. Completely secure the first section of bar rail tubing to the bar face or wall.
2. Insert elbow fitting into the end of the secured section of tubing.
3. Connect the second piece of tubing to the elbow fitting before securing to bar.
4. Secure the second section of bar rail tubing to bar face.

Care and maintenance of bar foot rail varies by finish. Given the nature of the product, typical wear and tear may be noticed with your bar rail over time, such as scuffs, scratches, and dirt. Visit kegworks.com/bar-rail-care to read our guide on how to properly prep, clean & maintain all bar rail finishes.



AVAILABLE FINISHES



BRUSHED
STAINLESS



BRUSHED
BRASS



POLISHED
BRASS



OIL RUBBED
BRONZE

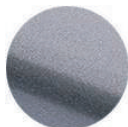


MATTE
BLACK

SPECIAL ORDER FINISHES



POLISHED
STAINLESS



GUNMETAL
GREY



ANTIQUÉ
BRASS



SUNSET
COPPER

CUSTOM COLORS ARE AVAILABLE BY REQUEST

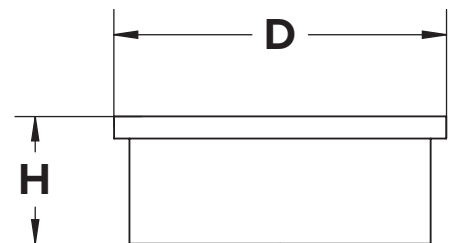
DIMENSIONS

(H) HEIGHT	1.38"
(D) DIAMETER	1.50"

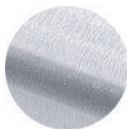
INSTALLATION

1. Secure bar rail tubing to bar face.
2. Insert end cap into the end of bar rail tubing.
3. End cap will fit loosely into the tubing. Use adhesive for more a secure, permanent fit.

Care and maintenance of bar foot rail varies by finish. Given the nature of the product, typical wear and tear may be noticed with your bar rail over time, such as scuffs, scratches, and dirt. Visit kegworks.com/bar-rail-care to read our guide on how to properly prep, clean & maintain all bar rail finishes.



AVAILABLE FINISHES



BRUSHED
STAINLESS



BRUSHED
BRASS



POLISHED
BRASS



OIL RUBBED
BRONZE

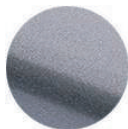


MATTE
BLACK

SPECIAL ORDER FINISHES



POLISHED
STAINLESS



GUNMETAL
GREY



ANTIQUÉ
BRASS



SUNSET
COPPER

CUSTOM COLORS ARE AVAILABLE BY REQUEST

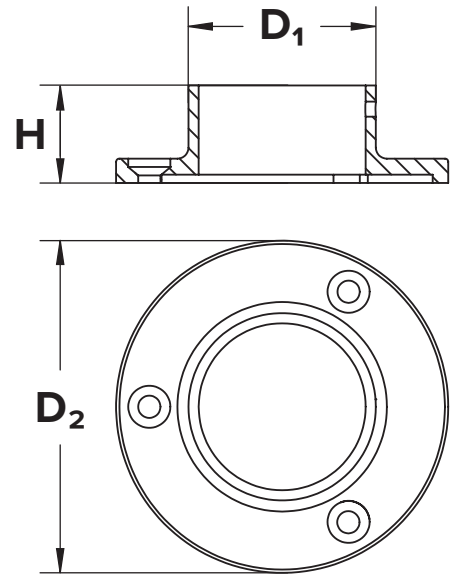
DIMENSIONS

(H) HEIGHT	0.58"
(D) DIAMETER	1.50"

INSTALLATION

1. Secure bar rail tubing to bar face.
2. Insert end cap into the end of bar rail tubing.
3. End cap will fit loosely into the tubing. Use adhesive for more a secure, permanent fit.

Care and maintenance of bar foot rail varies by finish. Given the nature of the product, typical wear and tear may be noticed with your bar rail over time, such as scuffs, scratches, and dirt. Visit [kegworks.com/bar-rail-care](https://www.kegworks.com/bar-rail-care) to read our guide on how to properly prep, clean & maintain all bar rail finishes.



AVAILABLE FINISHES



BRUSHED
STAINLESS



BRUSHED
BRASS



POLISHED
BRASS



OIL RUBBED
BRONZE

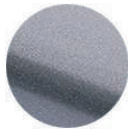


MATTE
BLACK

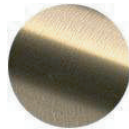
SPECIAL ORDER FINISHES



POLISHED
STAINLESS



GUNMETAL
GREY



ANTIQUÉ
BRASS



SUNSET
COPPER

CUSTOM COLORS ARE AVAILABLE BY REQUEST

DIMENSIONS

(H) HEIGHT	0.88"
(D ₁) DIAMETER 1	1.51"
(D ₂) DIAMETER 2	3.00"

INCLUDED HARDWARE

- 3 x #10 1-1/2" Mounting Screws
- 1 x #8 3/4" Self-Drilling Set Screw

INSTALLATION

1. Measure & mark holes for mounting screws.
2. Attach flange to wall, floor, or ceiling with the 3 mounting screws.
3. Secure tubing to the flange by fastening set screws through hole in the bottom of the flange.

Care and maintenance of bar foot rail varies by finish. Given the nature of the product, typical wear and tear may be noticed with your bar rail over time, such as scuffs, scratches, and dirt. Visit kegworks.com/bar-rail-care to read our guide on how to properly prep, clean & maintain all bar rail finishes.